

4

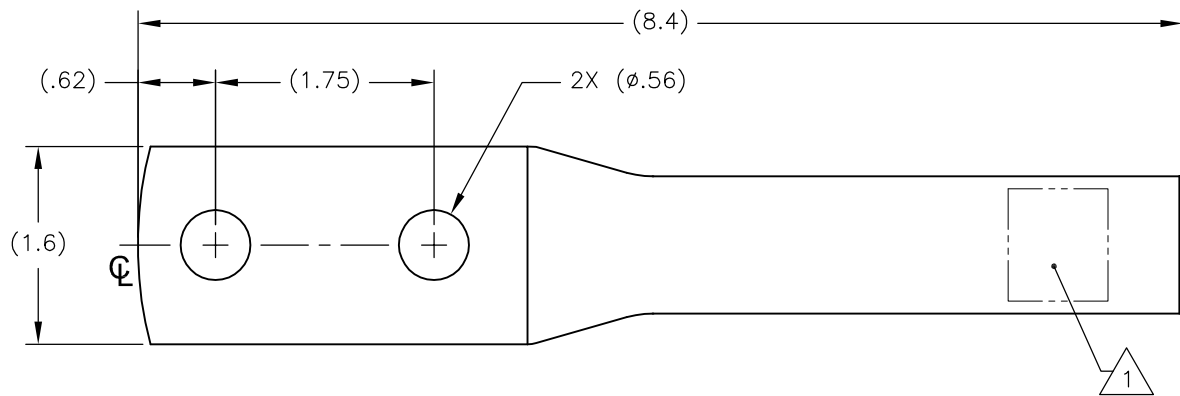
3

2

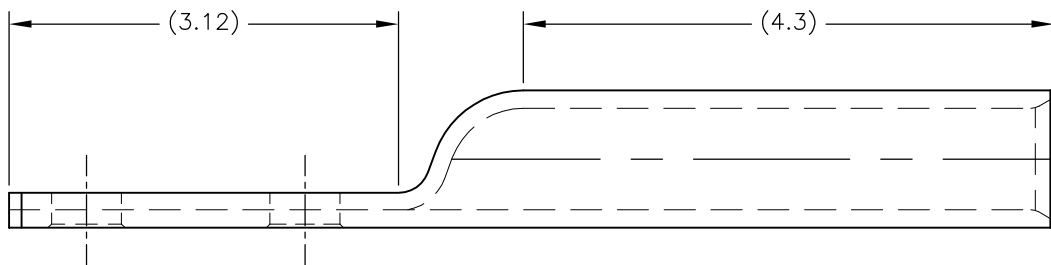
1

THIS DRAWING IS UNPUBLISHED. RELEASED FOR PUBLICATION
 © COPYRIGHT - - ALL RIGHTS RESERVED.

REVISIONS				
P	LTR	DESCRIPTION	DATE	APVD
C		LC20-0024-13 / ECO-13-003266	20FEB2013	DM BJ



- 1 MARKING:
STE
 CKLE0352NTN
 350 KCMIL 427
 CSA 26 CU
 [DATE CODE]
2. ACCOMMODATES:
 350 KCMIL 427 STR EXTRA FLEX
 CONDUCTORS.
3. HARDNESS:
 SOFT TEMPERED.



10718	L877	CKLE0352NTN	5-1199019-8
H.O. NO.	O.H. SPEC	CATALOG NO.	PART NO.

THIS DRAWING IS A CONTROLLED DOCUMENT.		DWN D. ROBITAILLE 28OCT2002	STE TE Connectivity		
DIMENSIONS: INCHES		CHK A. BULZA 03JAN2003			
TOLERANCES UNLESS OTHERWISE SPECIFIED:		APVD B. JOHNSON 03JAN2003	NAME COPRESSION LUG, COPPER, TWO HOLE NEMA PAD, 350 KCMIL EXTRA FLEX CONDUCTORS		
0 PLC ± 1 PLC ± 2 PLC ± 3 PLC ± 4 PLC ± ANGLES ±		PRODUCT SPEC —	SIZE A3	CAGE CODE 0779	DRAWING NO. C-5-1199019-8
MATERIAL ETP COPPER		FINISH ELECTRO-TIN PLATED	APPLICATION SPEC —	RESTRICTED TO —	SCALE NTS
CUSTOMER DRAWING			SHEET 1 OF 1	REV C	