

4

3

2

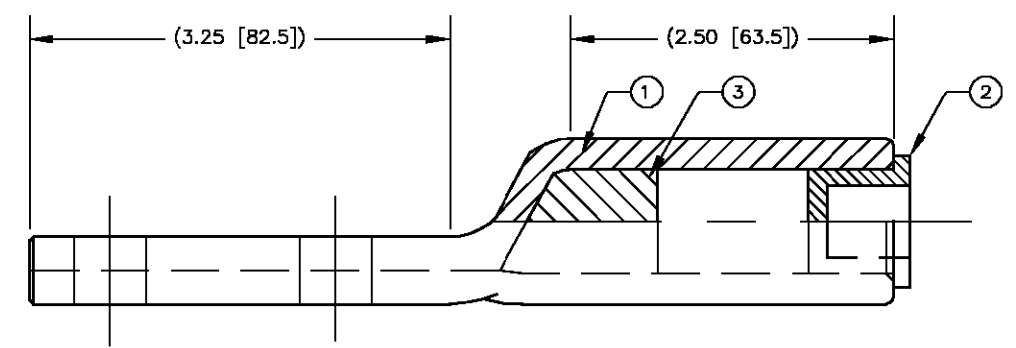
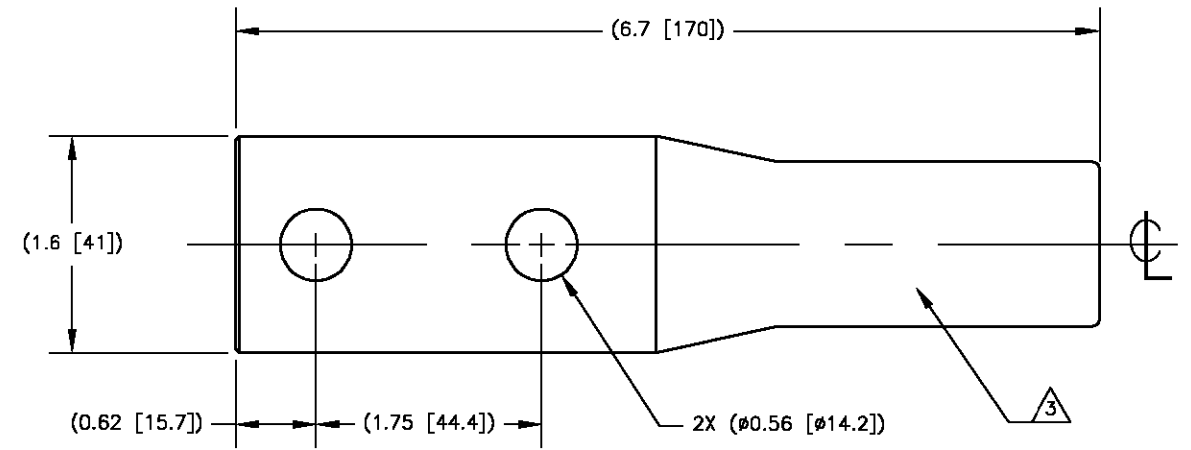
1

THIS DRAWING IS UNPUBLISHED. RELEASED FOR PUBLICATION

© COPYRIGHT BY TYCO ELECTRONICS CORPORATION. ALL RIGHTS RESERVED.

LOC	DIST	REVISIONS					
GA	1	P	LTR	DESCRIPTION	DATE	DWN	APVD
		B		PER LC20-0006-07 / ECO-07-000361	05JAN07	DM	BJ

- ① MATERIAL:  
ALUMINUM ALLOY
- 2. ACCOMMODATES:  
350 KCM CABLES
- ③ LETTERING:  
STAMPED 0.12 [3.2] MIN HIGH TO READ:  
TYCO 5-1199020-8  
KL0352NTN  
350 STD CPT SOL  
CSA 28 [D/C]
- ④ FINISH: TIN PLATE



L877	10512	KL0352NTN	5-1199020-8
O.H. SPEC.	H.O. NO.	CAT NO	TYCO PART NO
A/R	INHIBITOR		3
1	PLASTIC CAP		2
1	TERMINAL LUG	①	1
5-8	DESCRIPTION		ITEM NO.
QTY	PARTS LIST		

THIS DRAWING IS A CONTROLLED DOCUMENT.		DWN D RENNOX 03 SEP 03	Tyco Electronics Corporation Markham, ON L3R 1E1	
DIMENSIONS: INCHES / mm		CHK A BULZA 27 APR 05	NAME ALUMINUM COMPRESSION TERMINAL, TIN PLATED, 2 HOLE PAD, FOR 350 KCM CABLES	
		APVD D LADIN 27 APR 05	PRODUCT SPEC	
TOLERANCES UNLESS OTHERWISE SPECIFIED:		APPLICATION SPEC		
0 PLC	±	SIZE	CAGE CODE	DRAWING NO
1 PLC	±	A3	00779	C-5-1199020-8
2 PLC	±	RESTRICTED TO		
3 PLC	±	CUSTOMER DRAWING		
4 PLC	±	SCALE	SHEET	REV
ANGLES	±	NTS	1 OF 1	B
MATERIAL SEE TABLE	FINISH ④			