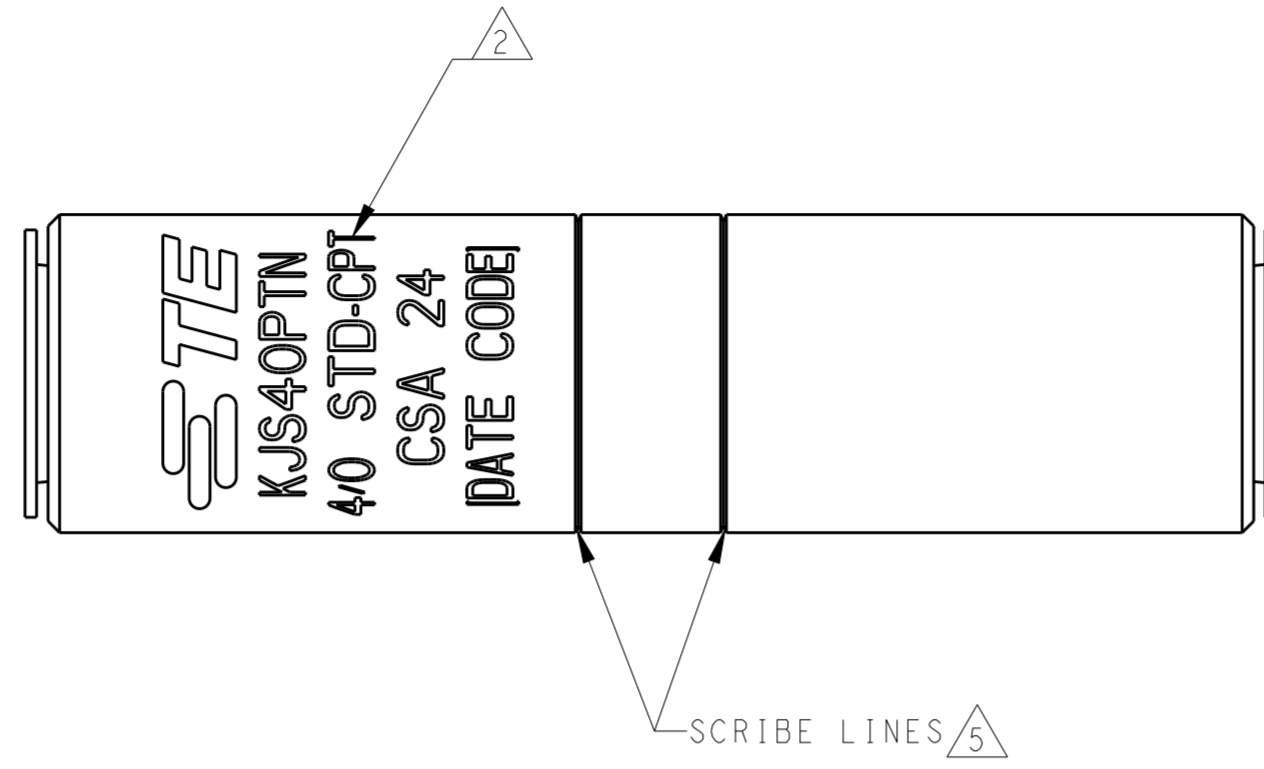


THIS DRAWING IS UNPUBLISHED. RELEASED FOR PUBLICATION 20
 © COPYRIGHT 20 BY - ALL RIGHTS RESERVED.

LOC	DIST	REVISIONS			
P	LTR	DESCRIPTION	DATE	DWN	APVD
GA	1	A	LC20-0279-06 / ECO-06-027965	01DEC2006	DM BJ
		B	LC20-0053-20 / ECO-20-007110	12JUN2020	DM BJ



1. ACCOMMODATES:
 4/0 AWG STD-CPT (.528-.475 DIA) CONDUCTORS.

2. MARKING:
STE
 [CATALOG NO]
 [CONDUCTOR SIZE]
 [DIE SIZE]
 [DATE CODE]

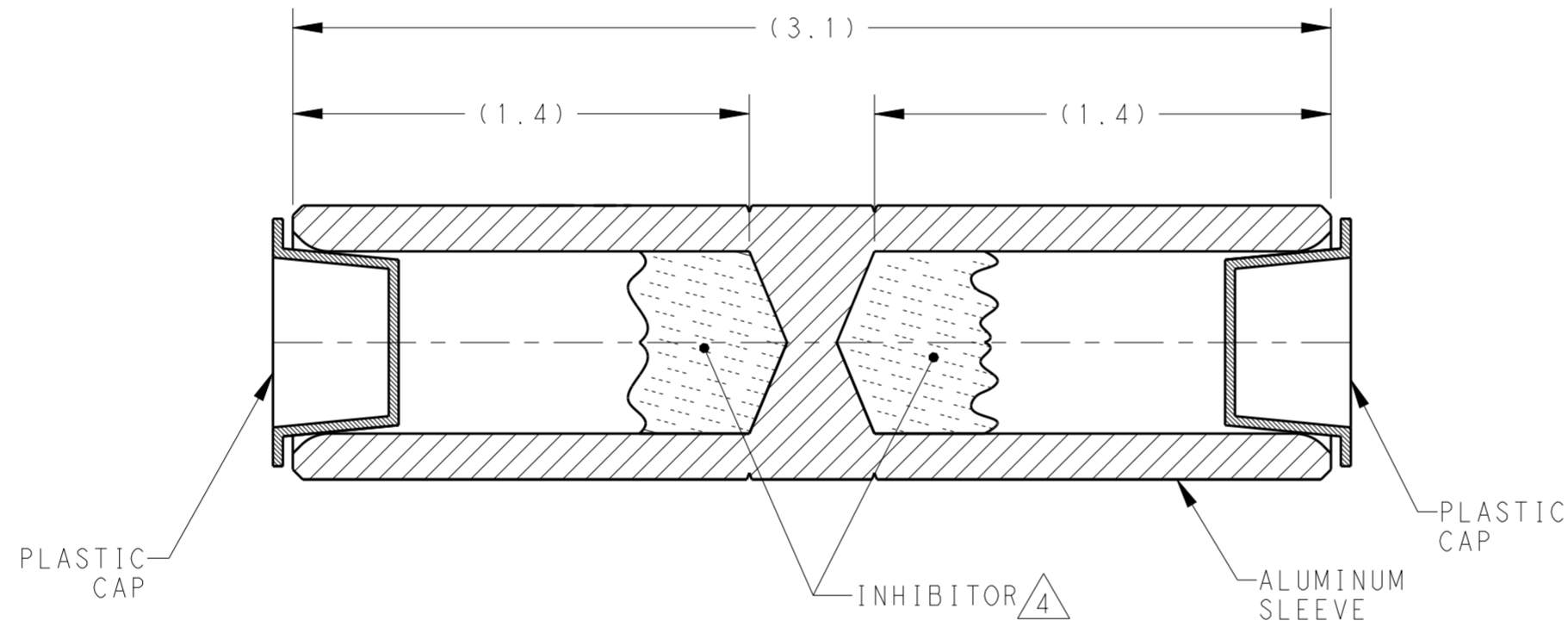
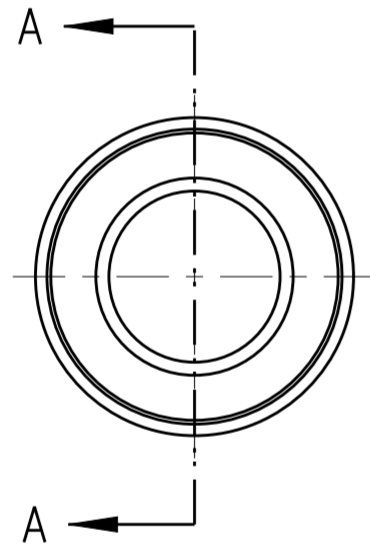
(SEE TABLE FOR CATALOG NO,
 CONDUCTOR SIZE & DIE SIZE)

3. HARDNESS:
 SOFT TEMPERED.

4. CONNECTOR BARREL CONTAINS FACTORY
 APPLIED INHIBITOR AND IS CAPPED.

5. DO NOT CRIMP BETWEEN SCRIBE LINES.

6. ALL DIMENSIONS ARE FOR REFERENCE ONLY.



TIN PLATED	CSA 24	4/0 STD-CPT	KJS40PTN	5-1199156-9
FINISH	DIE SIZE	CONDUCTOR SIZE	CATALOG NO.	PART NO.

THIS DRAWING IS A CONTROLLED DOCUMENT.		DWN D. MURUGIAH 29 JUN 2006	STE TE Connectivity	
DIMENSIONS: INCHES		CHK A. BULZA 04 JUL 2006		
TOLERANCES UNLESS OTHERWISE SPECIFIED:		APVD B. JOHNSON 04 JUL 2006	NAME ALUMINUM COMPRESSION SLEEVE, 4/0 AWG STD TO COMPACT CONDUCTORS	
0 PLC ±		PRODUCT SPEC	SIZE	
1 PLC ±		APPLICATION SPEC	CAGE CODE	
2 PLC ±		WEIGHT	DRAWING NO	
3 PLC ±		CUSTOMER DRAWING	RESTRICTED TO	
4 PLC ±		SCALE	SHEET	
ANGLES ±		NTS	1 OF 1	
FINISH		SEE DWG	REV	
SEE TABLE		SEE DWG	B	