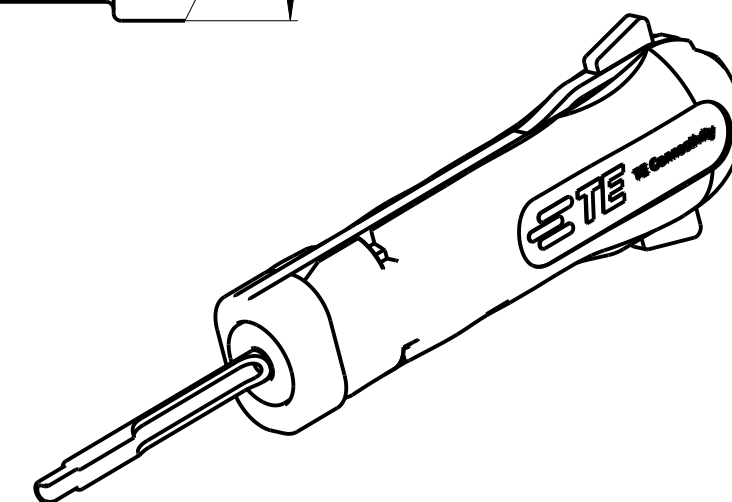
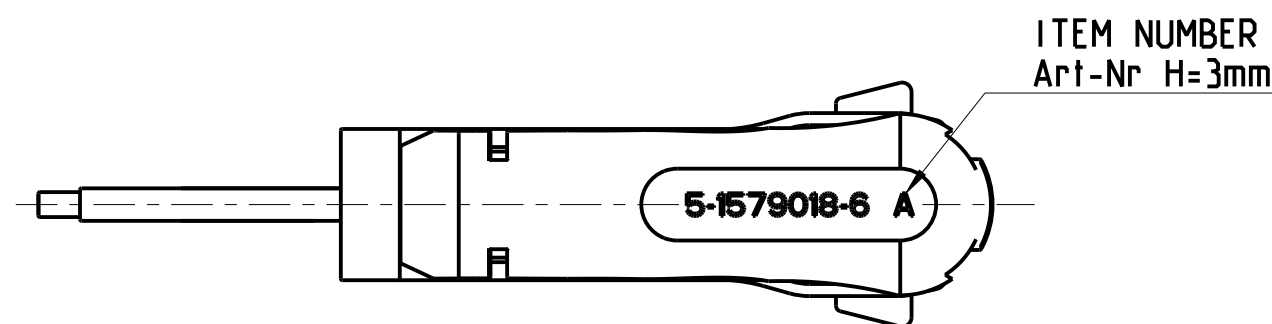
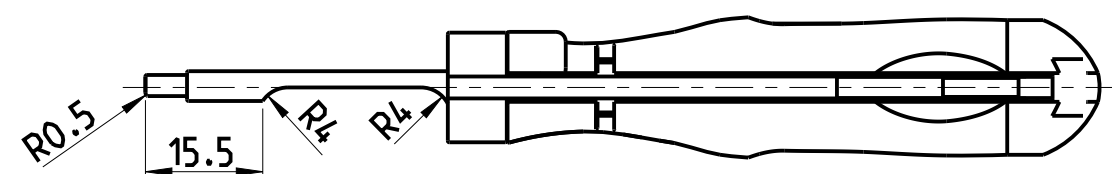
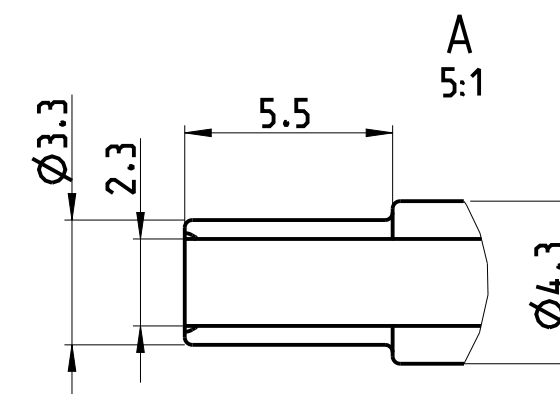
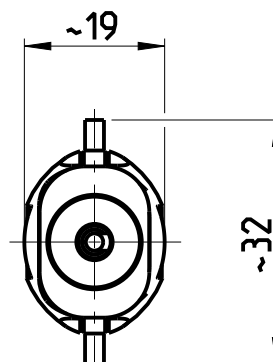
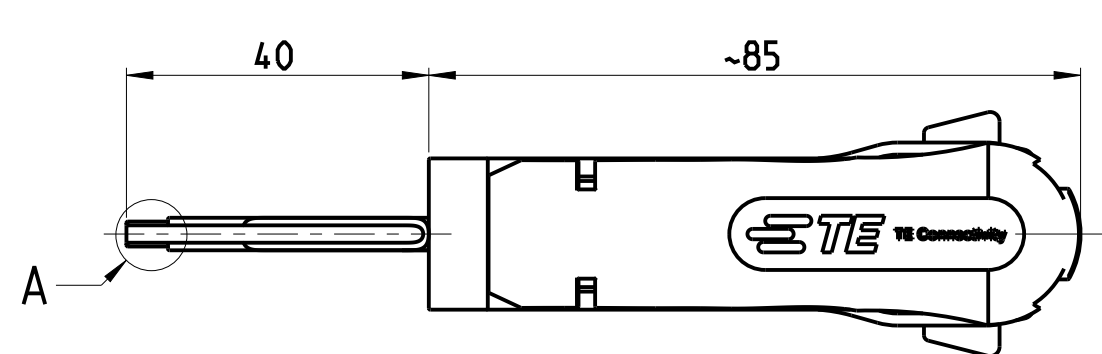


P	LTR	DESCRIPTION	DATE	DWN	APVD
A		INITIAL REVISION	15SEP2009	SA	G.S
A1		ECR-21-001703	16FEB2021	PNT	GS



APPLICATION RANGE / Anwendungsbereich :
FOR CONTACT: 964269X

THIS DRAWING IS A CONTROLLED DOCUMENT.

DIMENSIONS:	TOLERANCES UNLESS OTHERWISE SPECIFIED:
mm	
	0 PLC ±
	1 PLC ±
	2 PLC ±
	3 PLC ±
	4 PLC ±
	ANGLES ±

MATERIAL FINISH

DWN	S. Samstag	15SEP2009
CHK	G. Stegmayer	15SEP2009
APVD	G. Stegmayer	15SEP2009
PRODUCT SPEC		
APPLICATION SPEC		
WEIGHT		
CUSTOMER DRAWING		

STE TE Connectivity			
NAME INSERTION TOOL Eindrueckwerkzeug			
SIZE	CAGE CODE	DRAWING NO	RESTRICTED TO
A3	00779	C-5-1579018-6	-
SCALE 1:1		SHEET 1 OF 1	REV A1