

4

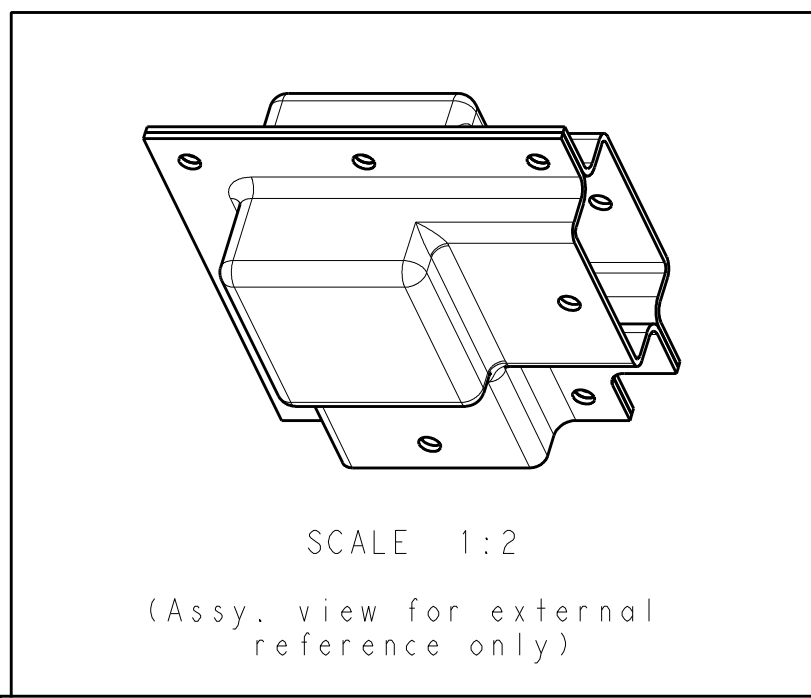
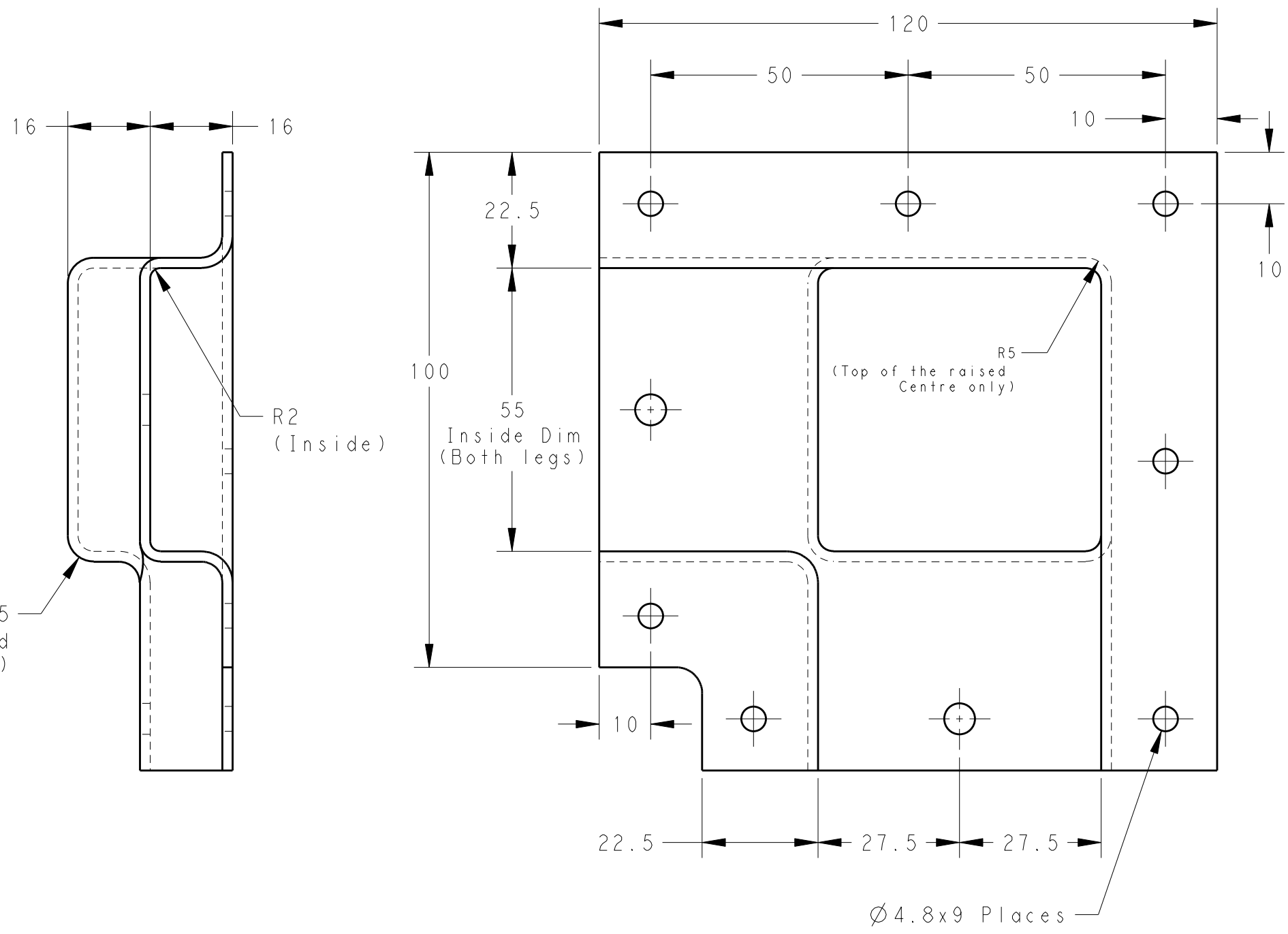
3


2

1

THIS DRAWING IS UNPUBLISHED. RELEASED FOR PUBLICATION 20
© COPYRIGHT 20 BY TYCO ELECTRONICS CORPORATION ALL RIGHTS RESERVED.

LOC	DIST	REVISIONS			
P	LTR	DESCRIPTION	DATE	DWN	APVD
-	-	A	04SEP2012	V.P	I.B



THIS DRAWING IS A CONTROLLED DOCUMENT.		DWN Vishnu 26JUN2012	 TE Connectivity													
DIMENSIONS: mm		CHK I Bond 26JUN2012														
TOLERANCES UNLESS OTHERWISE SPECIFIED:		APVD I Bond 26JUN2012	NAME BMOD-LV-050-L11-02(B12)													
<table border="1"> <tr><td>0 PLC</td><td>±</td></tr> <tr><td>1 PLC</td><td>±0.5</td></tr> <tr><td>2 PLC</td><td>±0.13</td></tr> <tr><td>3 PLC</td><td>±0.013</td></tr> <tr><td>4 PLC</td><td>±0.0001</td></tr> <tr><td>ANGLES</td><td>±</td></tr> </table>		0 PLC	±	1 PLC	±0.5	2 PLC	±0.13	3 PLC	±0.013	4 PLC	±0.0001	ANGLES	±	PRODUCT SPEC -	SIZE A300779 CAGE CODE G-5-1899738-7	
0 PLC	±															
1 PLC	±0.5															
2 PLC	±0.13															
3 PLC	±0.013															
4 PLC	±0.0001															
ANGLES	±															
MATERIAL -		APPLICATION SPEC -	RESTRICTED TO -													
FINISH -		WEIGHT -	SCALE 1:1 SHEET 1 OF 2 REV A													
CUSTOMER DRAWING																

THIS DRAWING IS UNPUBLISHED.

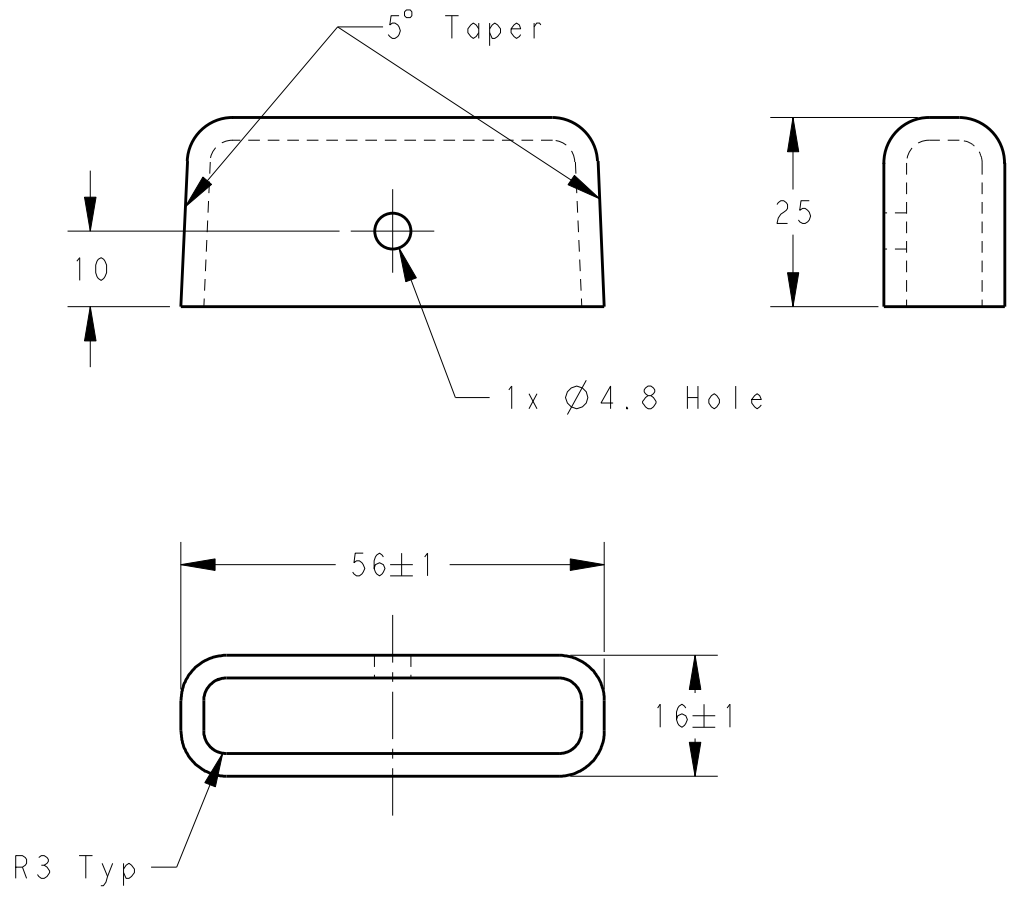
RELEASED FOR PUBLICATION

20

© COPYRIGHT 20 BY TYCO ELECTRONICS CORPORATION ALL RIGHTS RESERVED.

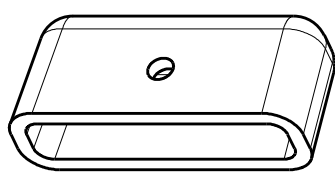
LOC	DIST	REVISIONS			
P	LTR	DESCRIPTION	DATE	DWN	APVD
-	-	SEE SHEET 1	-	-	-

PLUG PIECE:


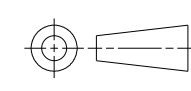


NOTES:

1. Parts shall be kitted 24pcs per box, 12 pairs of covers
2. Parts shall be supplied in the open position
3. Parts shall be kitted with 9 x LVIC-RIV-TS555 PCN: 319851-000, or with Raysulate equivalent part, per pair of covers.
4. 2 x Plugs to be kitted per pair of covers
5. Parts shall be kitted with Installation Instruction: ESD-6065-6/12 per box.



SCALE 3:4
(Isometric view for external reference only)

THIS DRAWING IS A CONTROLLED DOCUMENT.		DWN Vishnu 26JUN2012	 TE Connectivity		
DIMENSIONS: mm		CHK I. Bond 26JUN2012			NAME BMOD-LV-050-L11-02(B12)
		APVD I. Bond 26JUN2012			
TOLERANCES UNLESS OTHERWISE SPECIFIED:		PRODUCT SPEC -	APPLICATION SPEC -	RESTRICTED TO -	
MATERIAL -		FINISH -	WEIGHT -	SIZE A300779 CAGE CODE G-5-1899738-7	
		CUSTOMER DRAWING		SCALE 1:1 SHEET 2 OF 2 REV A	