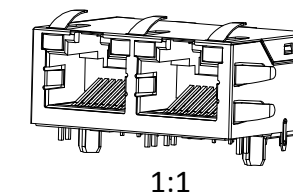
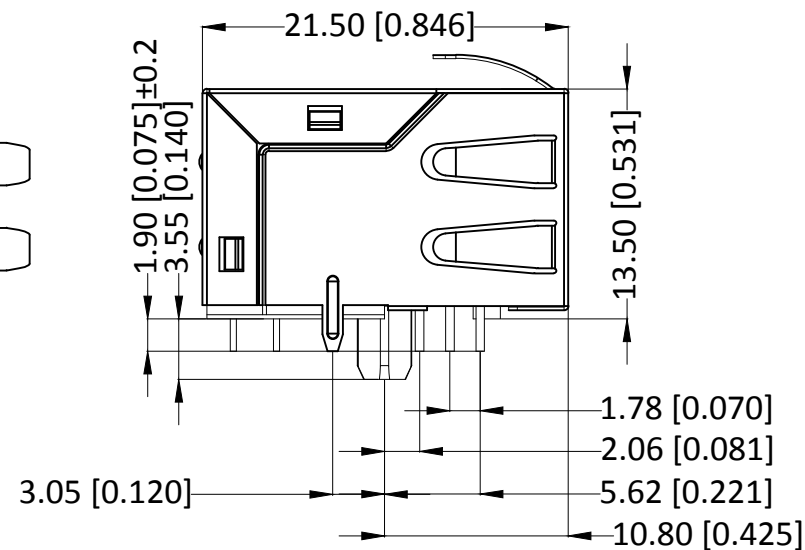
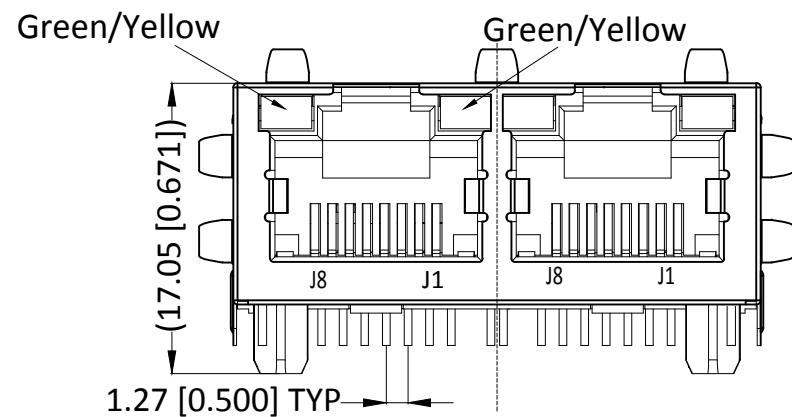
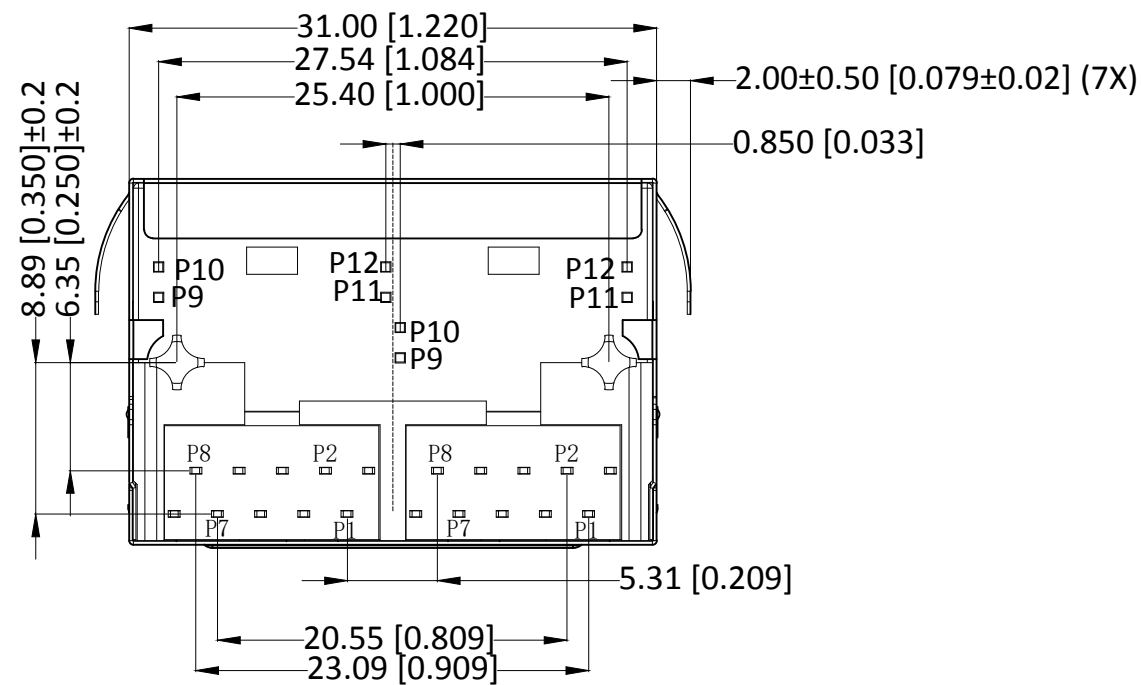
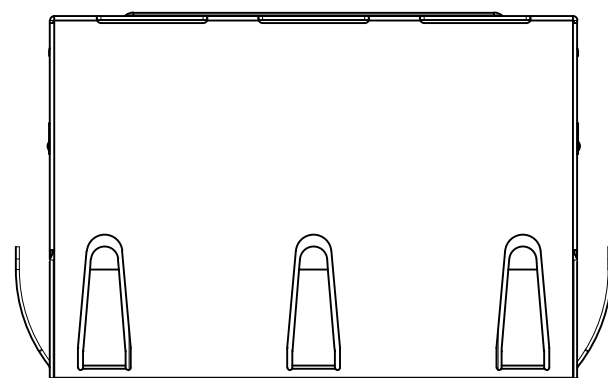


P	LTR	DESCRIPTION	DATE	DWN	APVD
	B1	DRAWING UPDATED	24SEP2020	SS	JDB



- 1 CONNECTOR MATERIAL:  
 HOUSING: LCP BLACK UL94 V-0  
 INSERT: LCP BLACK UL94 V-0  
 SHIELD: BRASS  
 SHIELD PLATING: NICKEL  
 CONTACT: COPPER ALLOY  
 CONTACT PLATING: SELECTIVE GOLD, MIN. 0.76µm(30µinch) IN CONTACT AREA  
 OVER MIN. 1.27µm (50µinch) NICKEL  
 SOLDER PIN PLATING: 3.05µm (120µinch) TIN OVER 1.27µm (50µinch) NICKEL  
 OVER ALL  
 SHIELDING PIN PLATING: NICKEL
- 2 PIN NOT ELECTRICALLY CONNECTED MAYBE OMITTED SEE ELECTRICAL CIRCUIT DIAGRAM FOR OMITTED PINS
- 3 RJ45 CAVITY DIMENSION CONFORM TO FCC PART 68
- 4 THE PART IS RECOMMENDED FOR REFLOW SOLDERING PROCESS PEAK SOLDERING: TEMPERATURE MAX. +260°C, MAX. 10s
- 5 OPERATING TEMPERATURE: T= -40°C TO +85°C
- 6 STORAGE TEMPERATURE: T= -40°C TO +85°C
- 7 UNLESS OTHERWISE SPECIFIED, SEE TABLE FOR ALL DIMENSIONS TOLERANCES
- 8 JACK CONFIGURATION: 1 x 2  
 TAB DIRECTION: UP
- 9 PACKAGING: TRAY ACCORDING TO PACKAGING SPECIFICATION 107-18116

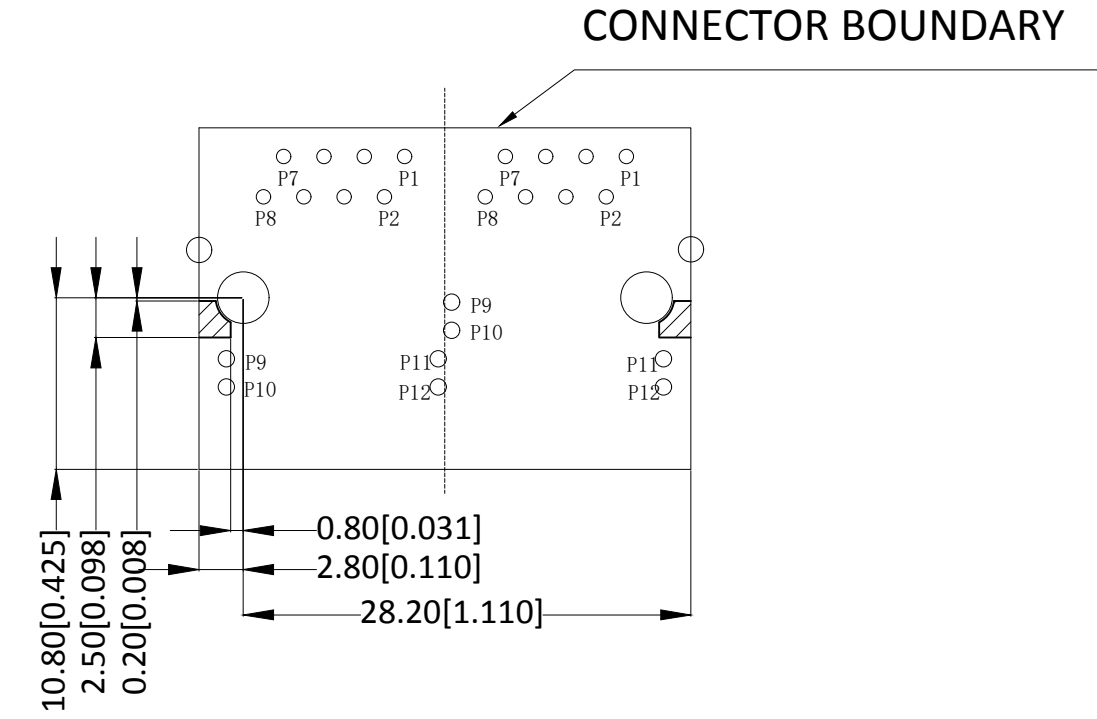
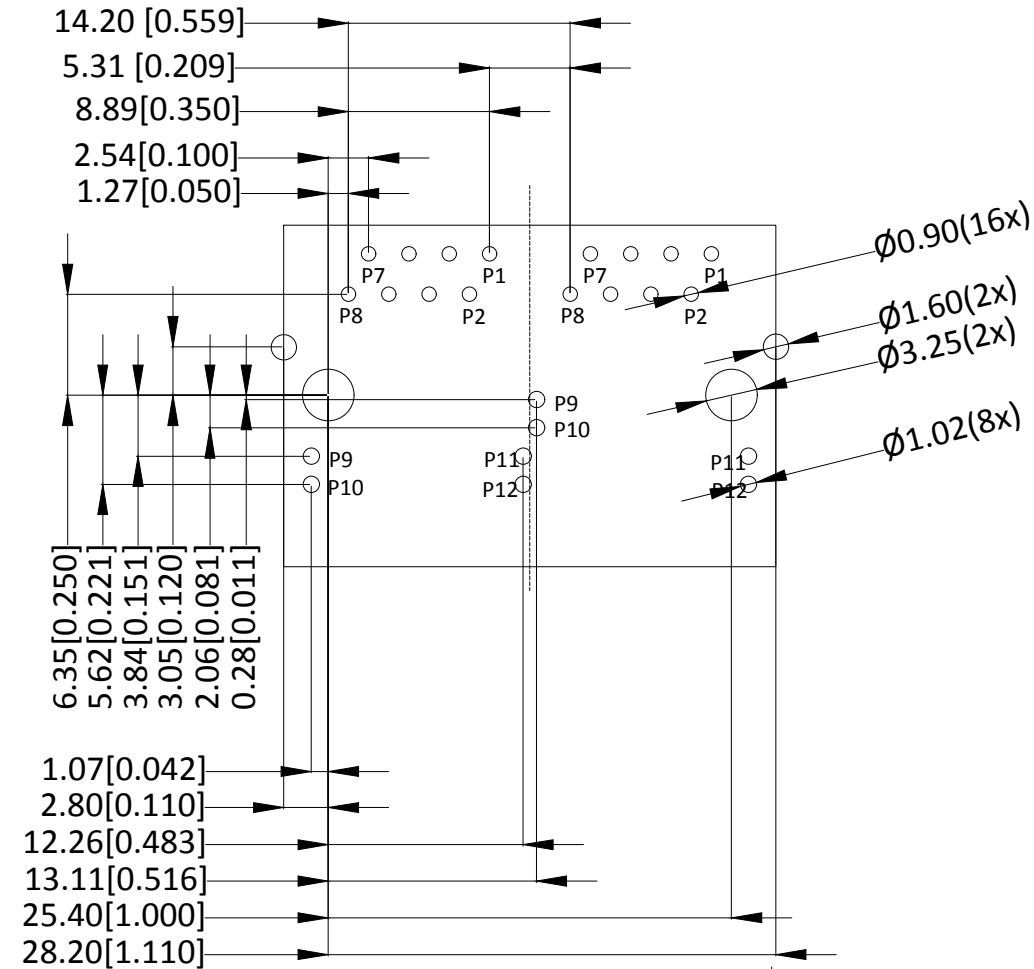
TABLE OF TOLERANCE (mm)	
RANGE	TOLERANCE
0-10	±0.15
>10-40	±0.25
>40-70	±0.30
>70	±0.40



THIS DRAWING IS A CONTROLLED DOCUMENT.		DWN S. SHARMA 27AUG2016	TE Connectivity Ltd.																
DIMENSIONS: mm [INCHES]		CHK O. WIBORG 27AUG2016																	
TOLERANCES UNLESS OTHERWISE SPECIFIED:		APVD J. DE BRUIJN 27AUG2016	NAME RJ45 JACK INT.MAG. 10/100 LED 1x2 INV.																
<table border="0"> <tr> <td>0 PLC</td> <td>± -</td> <td rowspan="5">7</td> </tr> <tr> <td>1 PLC</td> <td>± -</td> </tr> <tr> <td>2 PLC</td> <td>± -</td> </tr> <tr> <td>3 PLC</td> <td>± -</td> </tr> <tr> <td>4 PLC</td> <td>± -</td> </tr> <tr> <td>ANGLES</td> <td>± -</td> <td></td> </tr> </table>		0 PLC	± -	7	1 PLC	± -	2 PLC	± -	3 PLC	± -	4 PLC	± -	ANGLES	± -		PRODUCT SPEC 108-94552	SIZE A3		
0 PLC	± -	7																	
1 PLC	± -																		
2 PLC	± -																		
3 PLC	± -																		
4 PLC	± -																		
ANGLES	± -																		
MATERIAL 1		FINISH 1	APPLICATION SPEC 114-94447	CAGE CODE 00779	DRAWING NO C-5-2301996-5														
CUSTOMER DRAWING			WEIGHT	RESTRICTED TO															
			SCALE 3:1	SHEET 1 OF 3	REV B1														

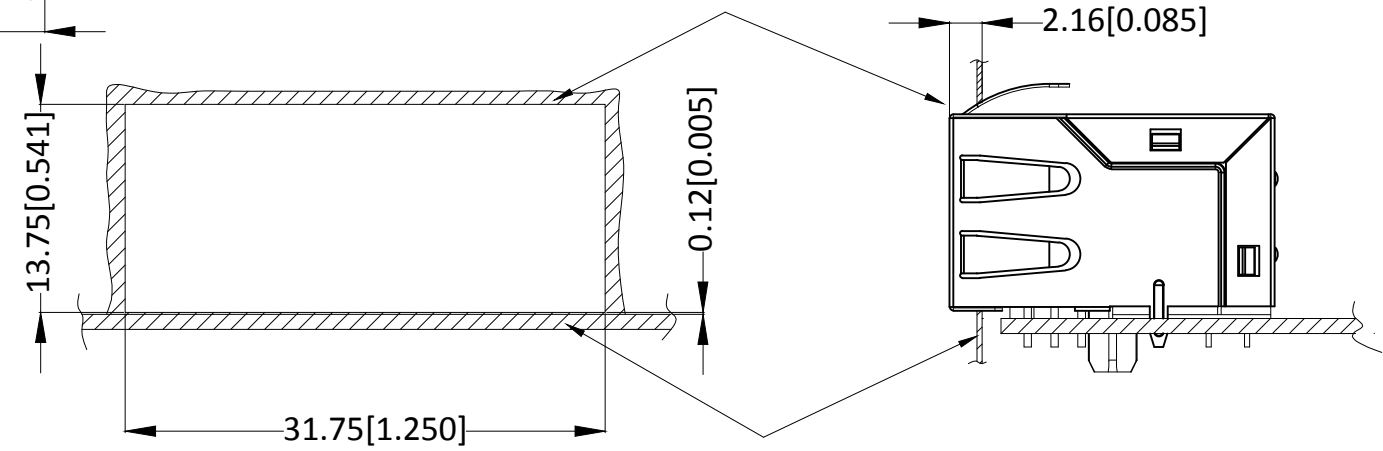
P	LTR	DESCRIPTION	DATE	DWN	APVD
-	-	SEE SHEET 1	-	-	-

# SUGGESTED PCB LAYOUT



## CONNECTOR BOUNDARY

## METAL PANEL



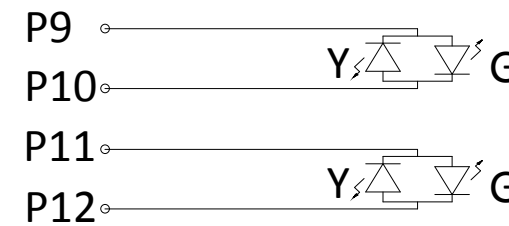
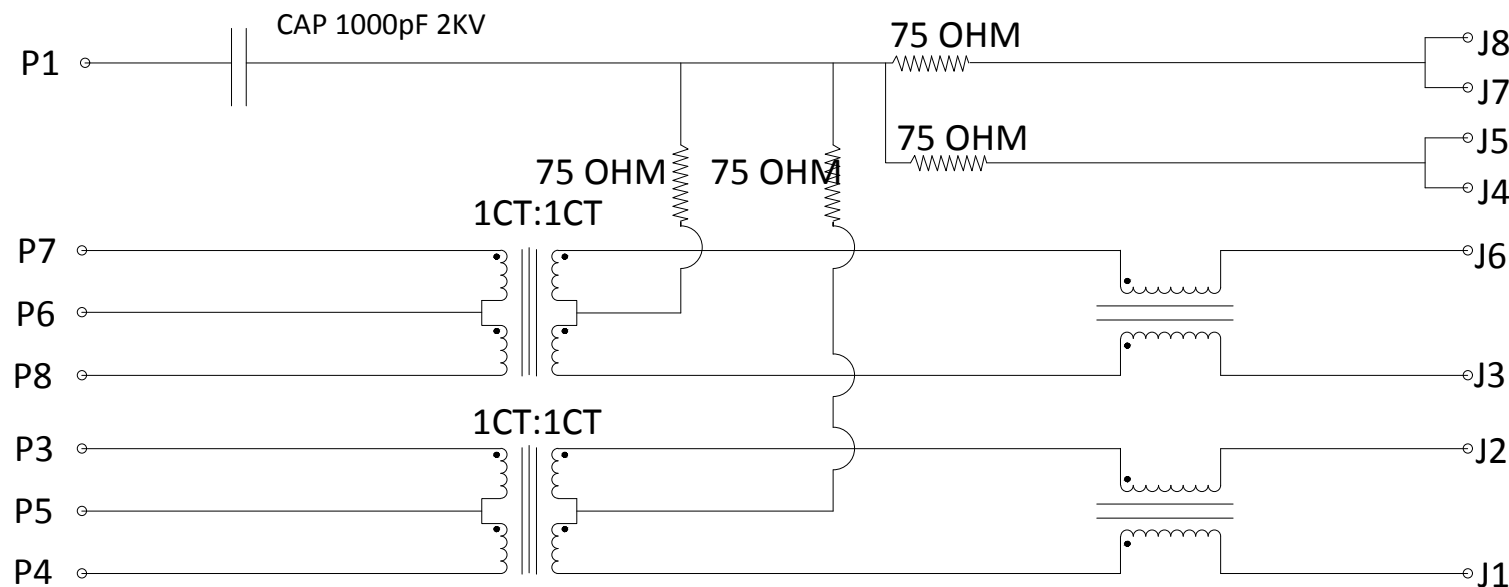
## PCB

UNIT: mm / inch  
TOLERANCES: ±0.10 / 0.004  
ONLY FOR THIS VIEW

THIS DRAWING IS A CONTROLLED DOCUMENT.		DWN S. SHARMA 27AUG2016	TE Connectivity Ltd.		
DIMENSIONS: mm [INCHES]		CHK O. WIBORG 27AUG2016			
TOLERANCES UNLESS OTHERWISE SPECIFIED:		APVD J. DE BRUIJN 27AUG2016	NAME RJ45 JACK INT.MAG. 10/100 LED 1x2 INV.		
	0 PLC ± -	PRODUCT SPEC 108-94552	RESTRICTED TO		
	1 PLC ± -	APPLICATION SPEC 114-94447	SIZE A3	CAGE CODE 00779	DRAWING NO C-5-2301996-5
MATERIAL 1	FINISH 1	WEIGHT	SCALE 3:1		
CUSTOMER DRAWING			SHEET 2 OF 3	REV B1	

P	LTR	DESCRIPTION	DATE	DWN	APVD
-	-	SEE SHEET 1	-	-	-

**ELECTRICAL CIRCUIT DIAGRAM**



PIN	YELLOW	GREEN	PIN	YELLOW	GREEN
P9	-	+	P11	-	+
P10	+	-	P12	+	-

- 1.0 TURN RATIO @100KHZ: (P4~P3):(J1~J2) = 1:1±2%  
(P8~P7):(J3~J6) = 1:1±2%
- 2.0 PRIMARY INDUCTANCE: 350uH MIN @100KHZ,0.1V 8mA DC BIAS
- 3.0 DC RESISTANCE: 1.2 OHMS MAX
- 4.0 INSERTION LOSS: 1-100MHz -1.2dB MAX
- 5.0 RETURN LOSS: 1-30MHz -16dB MIN  
30-60MHz -12dB MIN  
60-80MHz -10dB MIN
- 6.0 CROSS TALK: 1-100MHz -30dB MIN
- 7.0 COMMON TO COMMON MODE ATTENUATION: 1-100MHz -30dB MIN
- 8.0 ISOLATION: PHY SIDE TO LINE SIDE: 1500VAC OR 2250VDC

5-2301996 - 5  
WWYY-xxxx

**STE**

FCC

CONTROL CODE  
DATE CODE  
"0213"  
YY-YEAR  
WW-WEEK

THIS DRAWING IS A CONTROLLED DOCUMENT.		DWN S. SHARMA 27AUG2016	<b>STE</b> TE Connectivity Ltd.	
DIMENSIONS: mm [INCHES]		CHK O. WIBORG 27AUG2016		
TOLERANCES UNLESS OTHERWISE SPECIFIED:		APVD J. DE BRUIJN 27AUG2016	NAME RJ45 JACK INT.MAG. 10/100 LED 1x2 INV.	
0 PLC ± -		PRODUCT SPEC 108-94552	SIZE CAGE CODE DRAWING NO RESTRICTED TO	
1 PLC ± -		APPLICATION SPEC 114-94447	A3 00779 C-5-2301996-5	
2 PLC ± -		WEIGHT	SCALE 3:1 SHEET 3 OF 3 REV B1	
3 PLC ± -		MATERIAL FINISH		
4 PLC ± -				
ANGLES ± -		CUSTOMER DRAWING		