

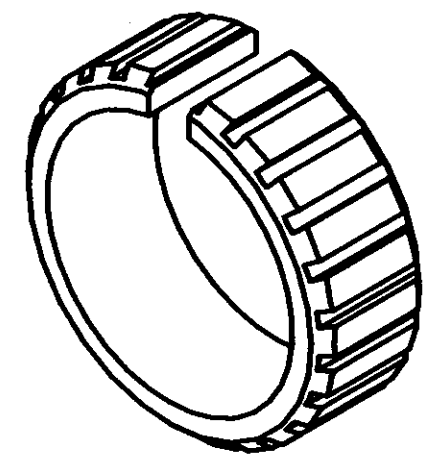
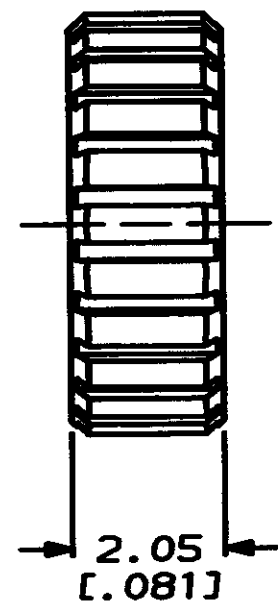
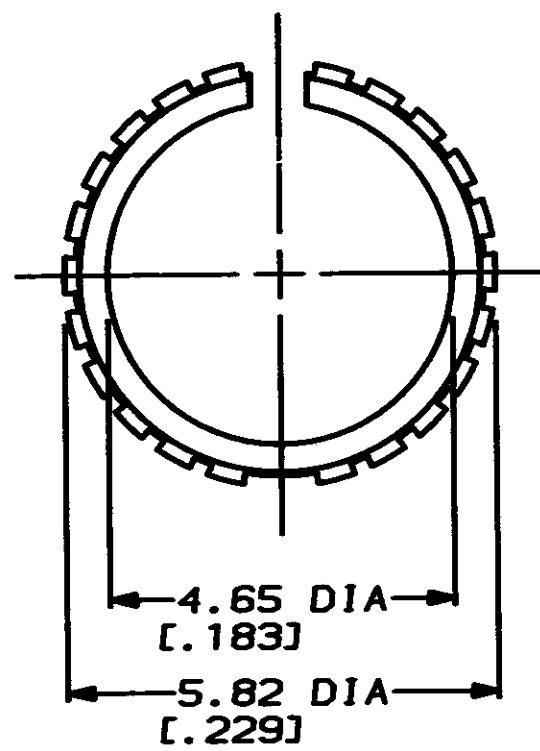
DRAWING MADE IN THIRD ANGLE PROJECTION

THIS DRAWING IS UNPUBLISHED. RELEASED FOR PUBLICATION .19

© COPYRIGHT 19 BY AMP INCORPORATED, HARRISBURG, PA. ALL INTERNATIONAL RIGHTS RESERVED. AMP PRODUCTS MAY BE COVERED BY U.S. AND FOREIGN PATENTS AND/OR PATENTS PENDING.

| LOC | DIST | P | F | ZONE | LTR | DESCRIPTION | DATE | APPROVED |
|-----|------|---|---|------|-----|------------------|---------|----------|
| CE | 16 | | | | | D REV PER CE-985 | 7-15-87 | Y6/YJA |

- ITEM USED WITH ACTIVE DEVICES HAVING 4.65-4.70 [.183-.185] OUTSIDE CAN DIA
- DIMENSIONS IN [] ARE IN INCHES



501084-1

PART NO

UNLESS OTHERWISE SPECIFIED
DIMENSIONS ARE IN MM
TOLERANCES ON:
2 PL DEC ± .13 [.005]
3 PL DEC ± -
ANGLES ± -

DR J ZEIDERS 7/30/86
CHK J GERACE 7/30/86
APPD M BEARD 7/30/86
APPD K MONROE 7/30/86

AMP AMP INCORPORATED
Harrisburg, Pa. 17105

MATERIAL
THERMOPLASTIC

PRODUCT SPEC -

NAME
DEVICE RING, ADM, OPTIMATE

FINISH -

APPLICATION SPEC -

SIZE **B** FSOH NO 00779 DRAWING NO 501084

WEIGHT -

SCALE 10:1

SHEET 1 OF 1

METRIC

CUSTOMER DRAWING