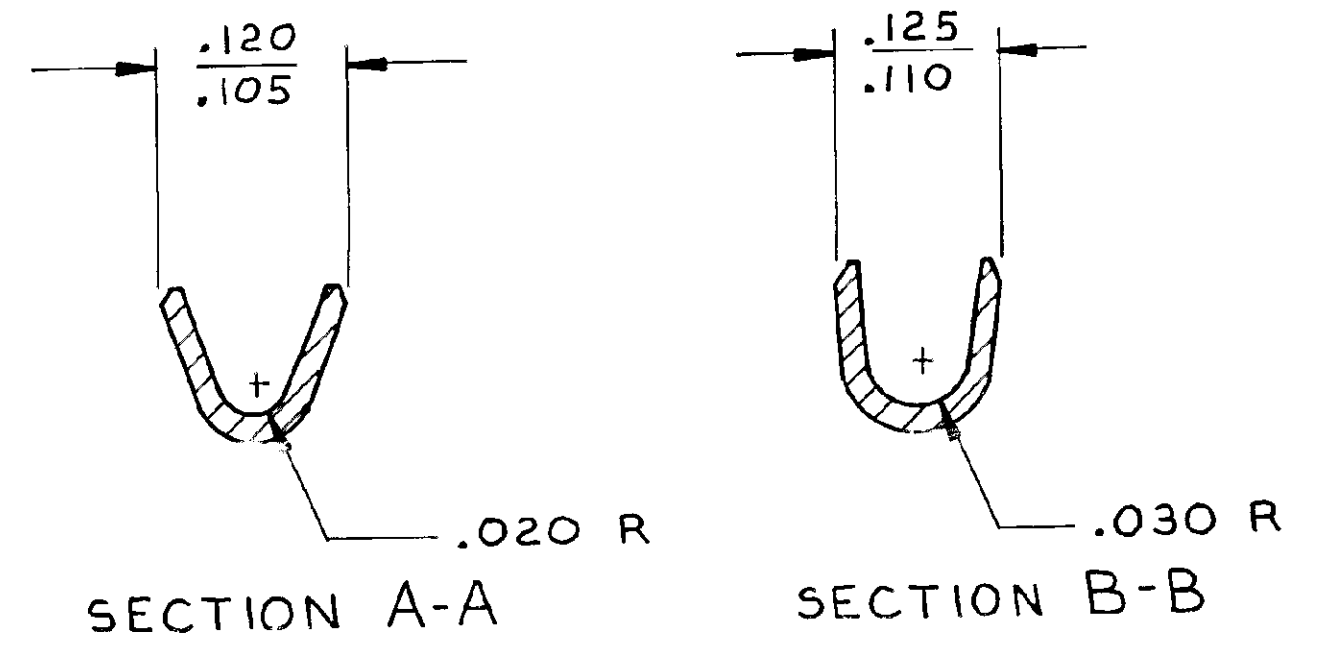


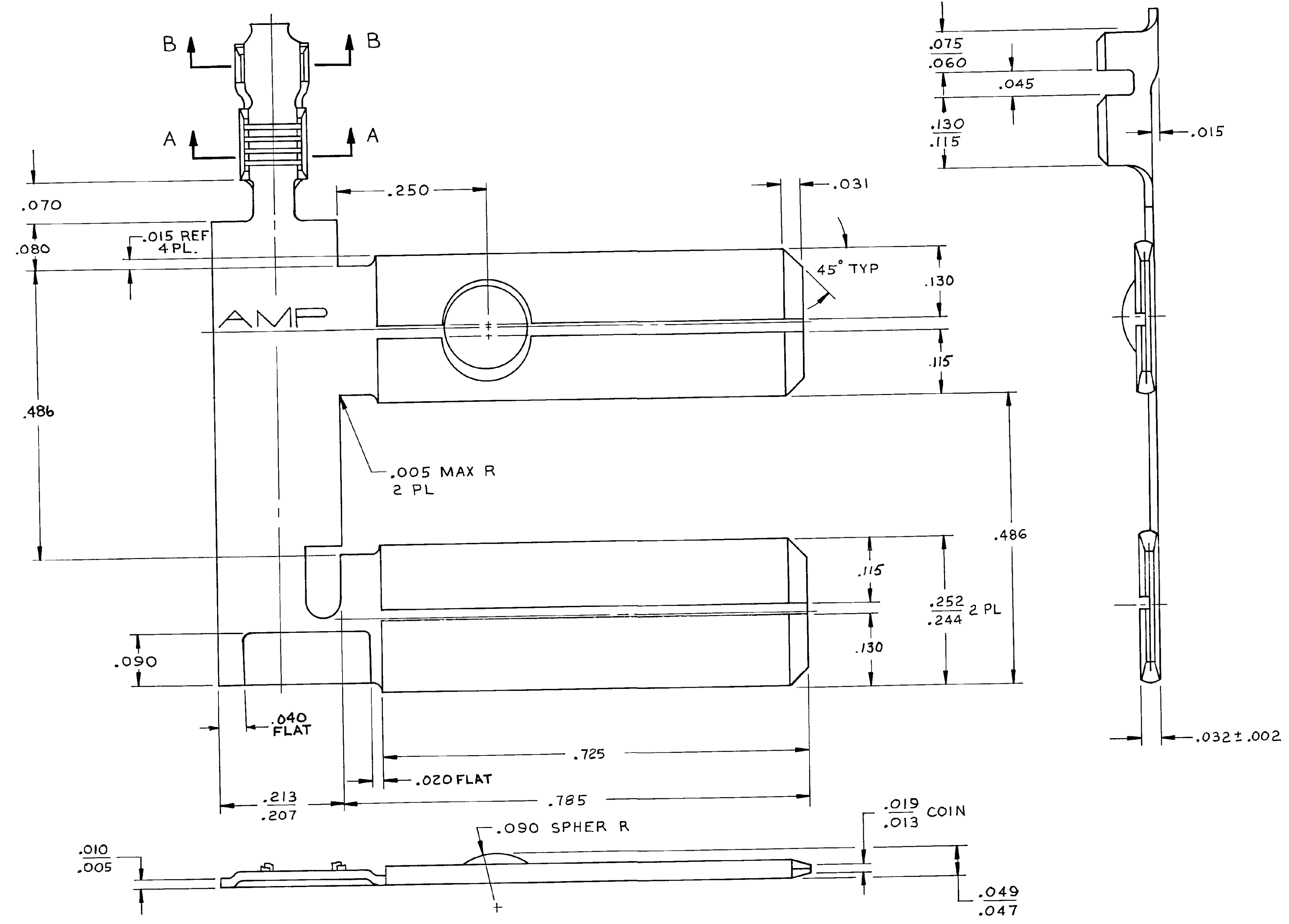
DRAWING MADE IN THIRD ANGLE PROJECTION

THIS DRAWING IS UNPUBLISHED. RELEASED FOR PUBLICATION
© COPYRIGHT 1975 BY AMP INCORPORATED, HARRISBURG, PA. ALL INTERNATIONAL RIGHTS RESERVED. AMP PRODUCTS MAY BE COVERED BY U.S. AND FOREIGN PATENTS AND/OR PATENTS PENDING.

REVISONS		DATE	APPROVED
0	RLSD PER TTI CM85-53	9/4/85	TD/RS
A	REV. PER. ECN CM-289	8/13/85	BD/RS
B	REV PER CM-584	4/27/86	KW/RS
C	REV PER 0710-0427-95		W. G. P. / P.M.
D	REV PER 0710-0049-96		W. G. P. / P.M.



1. WIRE RANGE : 22 - 20 AWG.
2. INSULATION RANGE : .070 MAX DIA.



505080-1 SHOWN

UNLESS OTHERWISE SPECIFIED DIMENSIONS ARE IN INCHES TOLERANCES ON: DECIMALS : .005 ANGLES : 0° 30'		CONTRACT NO	AMP AMP INCORPORATED Harrisburg, Pa. 17105	
MATERIAL	FINISH	DR <i>T Beck</i> 4/4/85	NAME CONTACT, .248 DUAL BLADE, AMPLIVAR	
.016 BRASS	PRE-TIN	CHK <i>R. Long</i> 6-4-85	SIZE	FSCM NO
		APPD <i>Don Crowe</i> 4/28/85	D	00779
		DSGN APPD	DRAWING NO	505080
		OTHER APPD	SCALE 10:1	SHEET

CUSTOMER DRAWING