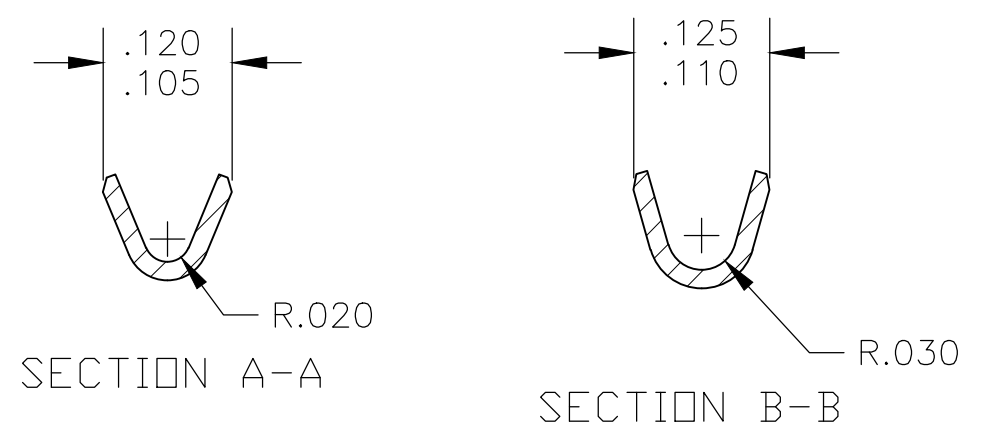
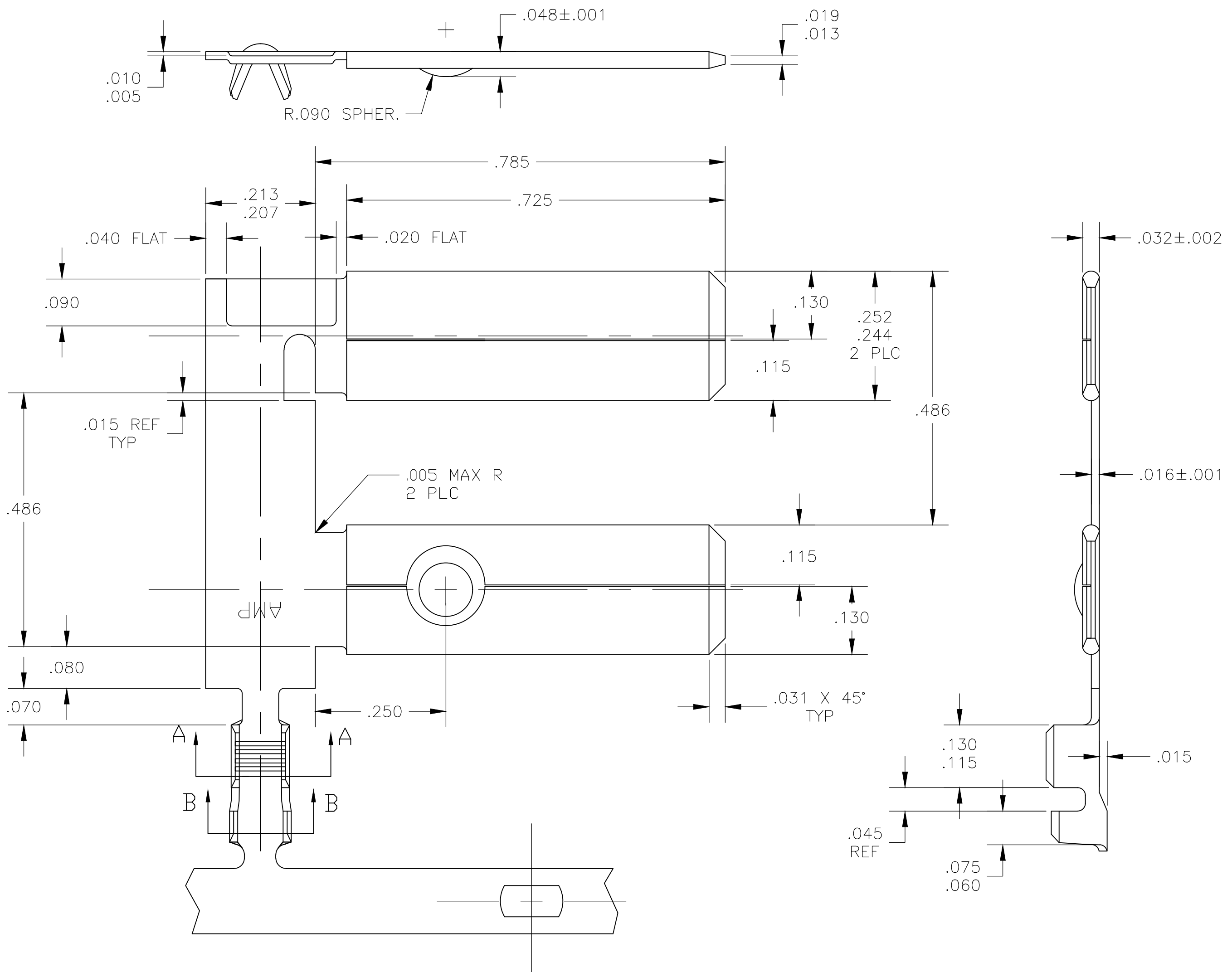


THIS DRAWING IS UNPUBLISHED. RELEASED FOR PUBLICATION  
 © COPYRIGHT BY TYCO ELECTRONICS CORPORATION. ALL INTERNATIONAL RIGHTS RESERVED.

LOC	DIST	REVISIONS			
P	LTR	DESCRIPTION	DATE	DWN	APVD
AF	50				
	D2	REVISED PER ECR-19-018062	06DEC2019	SS	TD

- 1 WIRE SIZE IS #22-#20 AWG
- 2 INSULATION RANGE DIA IS .070 MAX
- 3 REVERSE REELED OF 505081-1
- 4 OBSOLETE PART



4	3	505081-2
505081-1		
PART NO		

THIS DRAWING IS A CONTROLLED DOCUMENT.		DWN	jr_ruth	18NOV09	 TE Connectivity
DIMENSIONS: MM [ INCHES ]		CHK	SAM MACE	18NOV09	
TOLERANCES UNLESS OTHERWISE SPECIFIED:		APVD	SAM MACE	18NOV09	
0 PLC ± - 1 PLC ± - 2 PLC ± .005 3 PLC ± - 4 PLC ± - ANGLES ± 0°30'		PRODUCT SPEC	NAME		
MATERIAL	TEMP 2 BRASS	FINISH	PRE-TIN	WEIGHT	-
CUSTOMER DRAWING		SCALE	6:1	SHEET	1 of 1
		REV	D2	RESTRICTED TO	