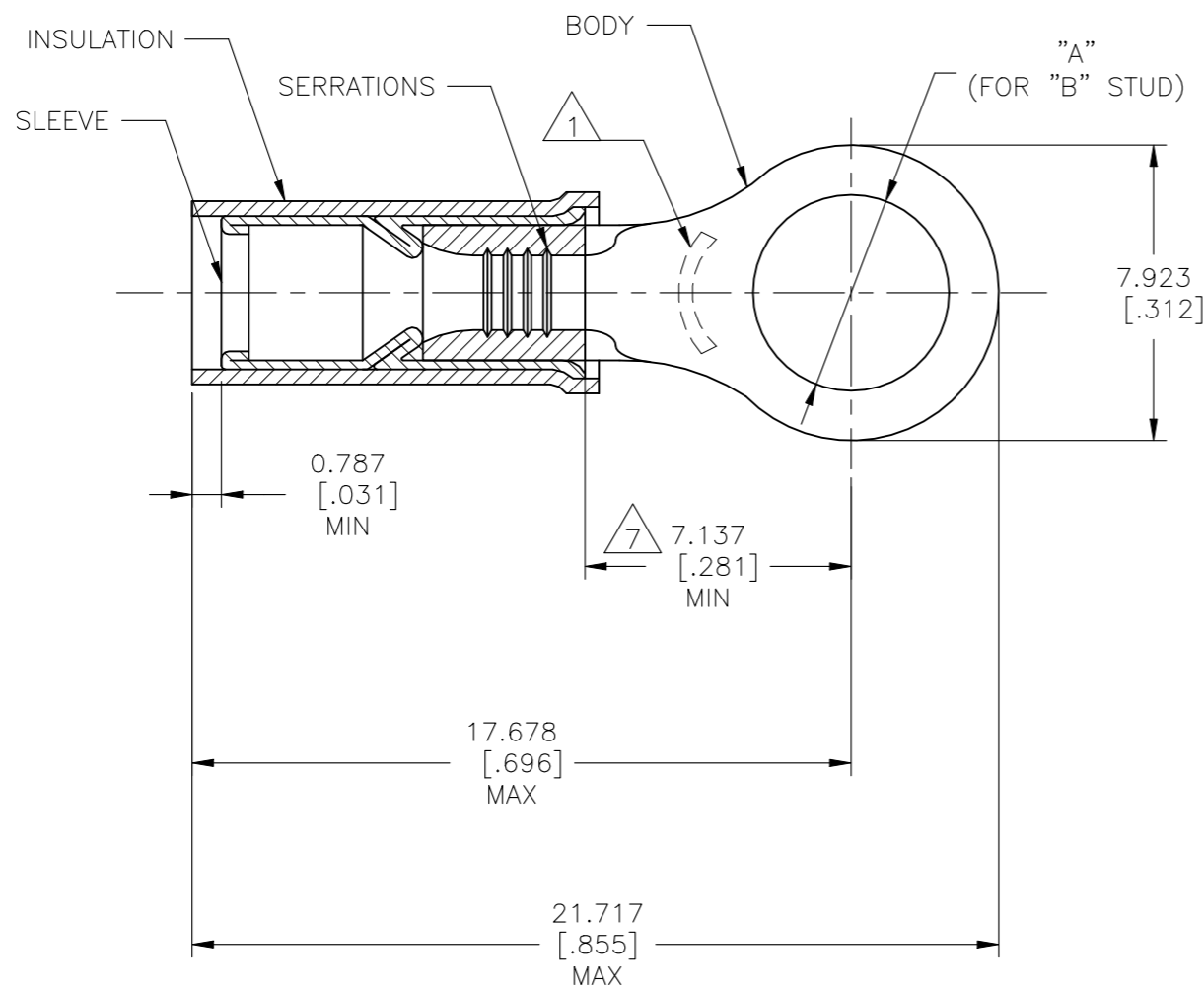


REVISIONS

P	LTR	DESCRIPTION	DATE	DWN	APVD
	M4	ECR-22-138429	19MAY2022	LP	DSC

AMP
WIRE RANGE

18-16 AWG
STRANDED



- 1 STAMP "AMP 18-16" APPROX AS SHOWN
- 2 FOR 1.397[.055] TO 3.429[.135] WIRE INSULATION DIA.
- 3 BODY MATERIAL THK: 0.787±0.051 [.031±.002]
- 4 MATERIAL:
BODY & SLEEVE - COPPER PER ASTM B152
INSULATION - PTFE PER ASTM D4895
- 5 FINISH:
BODY - NICKEL PLATE 0.00762[.00030]
AVG EXT THK PER SAE AMS-QQ-N-290
SLEEVE - NICKEL PLATE 0.001651[.000065]
AVG EXT THK PER SAE AMS-QQ-N-290
INSULATION COLOR - ORANGE
- 6 NOTE DELETED
- 7 DIMENSION APPLIES FROM EDGE OF WIRE BARREL TO CENTER OF STUD HOLE
- 8 NOTE DELETED
- 9 NOTE DELETED
- 10 NOTE DELETED
- 11 NOTE DELETED
- 12 NOTE DELETED

1000	LOOSE PIECE	#10	5.004±0.008 [.197±.003]	50836-1
1000	LOOSE PIECE	M4[#8]	4.343±0.008 [.171±.003]	50836
QTY	PACKAGE TYPE	"B"	"A"	PART NUMBER

TEC INCORPORATED CUSTOMER SERVICE SYSTEMS		MAX RECOMMENDED OPERATING TEMPERATURE: 288°C [550° F]	THIS DRAWING IS A CONTROLLED DOCUMENT.		DWN R.GRZYBOWSKI 18SEP09	STE TE Connectivity			
FOR ADDITIONAL PRODUCT INFORMATION OR COPIES OF DRAWINGS AND TECHNICAL DOCUMENTS	PRODUCT INFORMATION CENTER 1-800-522-6752	VOLTAGE RATING: 300V MAX	DIMENSIONS: mm [INCHES]	TOLERANCES UNLESS OTHERWISE SPECIFIED:	CHK T.MICHELUTTI 18SEP09				
FOR APPLICATION TOOLING INFORMATION	TOOLING ASSISTANCE CENTER 1-800-722-1111	CIRCULAR MIL AREA: 0.81-1.42mm² [1600-2800] STRANDED WIRE ONLY		0 PLC ± - 1 PLC ± - 2 PLC ± - 3 PLC ± 0.127[.005] 4 PLC ± - ANGLES ± -	APVD M.PERCHERKE 18SEP09	PRODUCT SPEC			
FOR ORDER ENTRY	1-800-526-5142		MATERIAL	FINISH	APPLICATION SPEC 114-2162	SIZE	CAGE CODE	DRAWING NO	RESTRICTED TO
					WEIGHT	A3	00779	C-50836	
					CUSTOMER DRAWING		SCALE	SHEET	REV
							5:1	1 OF 1	M4