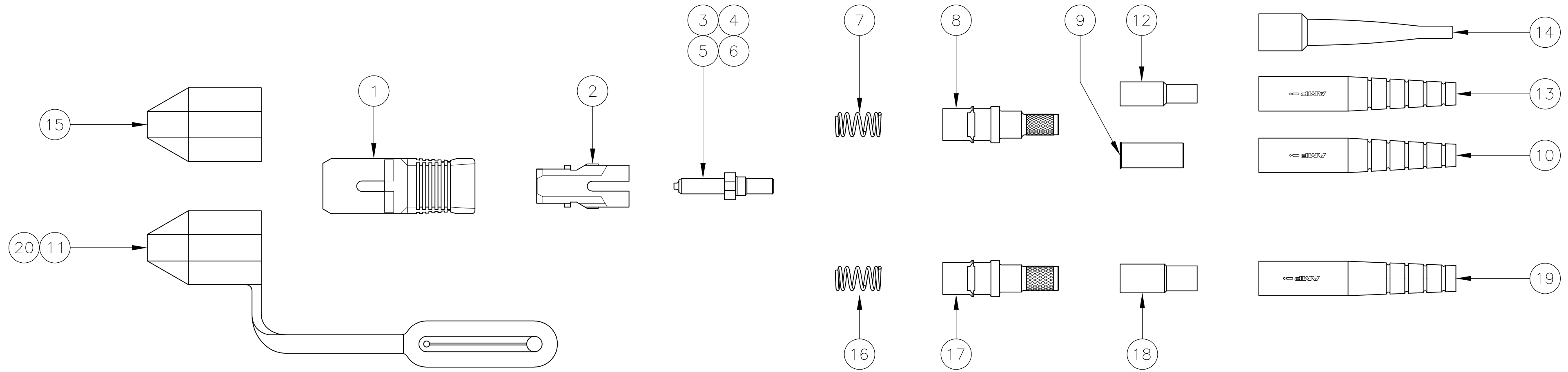


THIS DRAWING IS UNPUBLISHED. RELEASED FOR PUBLICATION
 © COPYRIGHT BY TYCO ELECTRONICS CORPORATION. ALL RIGHTS RESERVED.

LOC		DIST		REVISIONS			
P	LTR	DESCRIPTION	DATE	DWN	APVD		
B		ECR-08-019494	07AUG2008	RC	AH		



NOTES:

1 MATERIAL:
 HOUSING: THERMOPLASTIC
 PLUG BODY: THERMOPLASTIC
 INTERNAL BODY: BRASS
 CRIMP EYELET: COPPER
 SPRING: STAINLESS STEEL
 BOOT: THERMOPLASTIC
 STRAIN RELIEF: THERMOPLASTIC ELASTOMER, V-0
 FERRULE-BASE: STAINLESS STEEL
 FERRULE: ZrO2

2 FINISH:
 INTERNAL BODY: ELECTROLESS NICKEL
 CRIMP EYELET: TIN

3 CUSTOMER RESTRICTED

4 WITHOUT CRIMP EYELET AND BOOT
 BAGS WITH 100 COMPONENTS
 PACKED IN ONE BOX

3.0	2.4	3.0	3.0	3.0 mm		2.4 mm		2.0 mm		0.9 mm		DESCRIPTION	ITEM
-	-	1	1	-	-	-	-	-	-	-	-	FOAC CAP, PROTECTIVE (STRAP TYPE), GREEN	20
-	-	1	1	1	1	-	-	-	-	-	-	FOAC STRAIN RELIEF, PUSH ON, GREEN 3.0 mm	19
-	-	1	1	1	1	-	-	-	-	-	-	FOAC CRIMP EYELET OPTIMATE 3.0 mm	18
1	-	1	1	1	1	-	-	-	-	-	-	FOAC INTERNAL BODY SC 3.0 mm	17
1	-	1	1	1	1	-	-	-	-	-	-	FOAC SPRING COMPRESSION 3.0 mm	16
1	1	-	-	-	-	-	-	-	-	1	1	FOAC CAP PROTECTIVE, (NO STRAP), BLACK	15
-	-	-	-	-	-	-	-	-	-	1	1	BOOT, BARE BUFFER, BEND LIMITING, GREEN	14
-	-	-	-	-	-	-	-	1	1	-	-	FOAC BOOT 2.0 mm, GREEN	13
-	-	-	-	-	-	-	-	1	1	-	-	FOAC CRIMP EYELET 2.0 mm	12
-	-	-	-	1	1	1	1	1	1	-	-	FOAC CAP, PROTECTIVE (STRAP TYPE), BLACK	11
-	-	-	-	-	-	1	1	-	-	-	-	FOAC STRAIN RELIEF, PUSH ON, GREEN 2.4 mm	10
-	-	-	-	-	-	1	1	-	-	-	-	CRIMP EYELET OPTIMATE 2.4 mm	9
-	1	-	-	-	-	1	1	1	1	1	1	FOAC INTERNAL BODY SC 2.4 mm	8
-	1	-	-	-	-	1	1	1	1	1	1	FOAC SPRING COMPRESSION 2.4 mm	7
-	-	-	-	1	-	-	-	1	-	-	-	FOAC FERR. SUBASSY SC SM 0.126/1.3	6
-	-	1	-	-	1	-	-	-	1	-	-	FOAC FERR. SUBASSY SC SM 0.126/1.1	5
-	-	-	-	-	-	1	-	-	1	-	-	FOAC FERR. SUBASSY SC SM 0.125/1.3	4
1	1	-	1	-	-	-	-	-	-	-	-	FOAC FERR. SUBASSY SC SM 0.125/1.1	3
1	1	1	1	1	1	1	1	1	1	1	1	FOAC PLUG BODY SC GREY	2
1	1	1	1	1	1	1	1	1	1	1	1	FOAC CONNECTOR HOUSING AMP SC1 GREEN	1

QTY	QTY	QTY	QTY	QTY	QTY	QTY	QTY	QTY	QTY	QTY	QTY	QTY	QTY	QTY	QTY	DESCRIPTION	ITEM				
9-5106785-3	9-5106785-2	8-5106785-1	7-5106785-8	3-5106785-2	3-5106785-1	2-5106785-9	2-5106785-8	5106785-8	5106785-7	5106785-5	5106785-4	3-5106785-8	3-5106785-7	3-5106785-5	3-5106785-4	2-5106785-0	1-5106785-9	1-5106785-7	1-5106785-6		

THIS DRAWING IS A CONTROLLED DOCUMENT.

DIMENSIONS: mm

TOLERANCES UNLESS OTHERWISE SPECIFIED:
 0 PLC ± -
 1 PLC ± -
 2 PLC ± -
 3 PLC ± -
 4 PLC ± -
 ANGLES ± -
 MATERIAL FINISH

THIS DRAWING IS UNPUBLISHED. RELEASED FOR PUBLICATION

DWN J.W. RIETVELD 31MAY1995
 CHK A. HENGELMOLEN 29JUL2004
 APVD A. HENGELMOLEN 29JUL2004

Tyco Electronics Corporation
 's-Hertogenbosch, Nederland

NAME: FOKIT CONNECTOR KIT SC/APC

SIZE: A2 CAGE CODE: 00779 DRAWING NO: C=5106785 RESTRICTED TO: -

SCALE: NTS SHEET: 1 of 1 REV: B