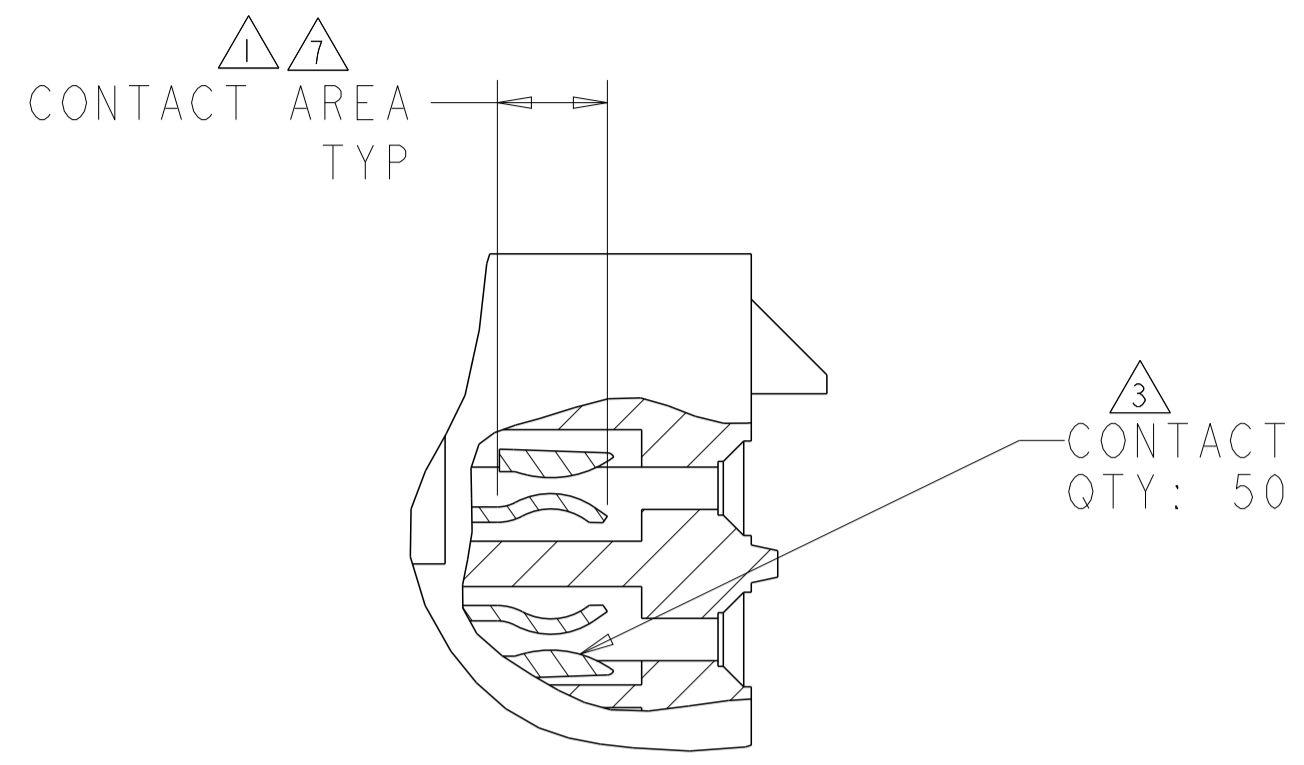
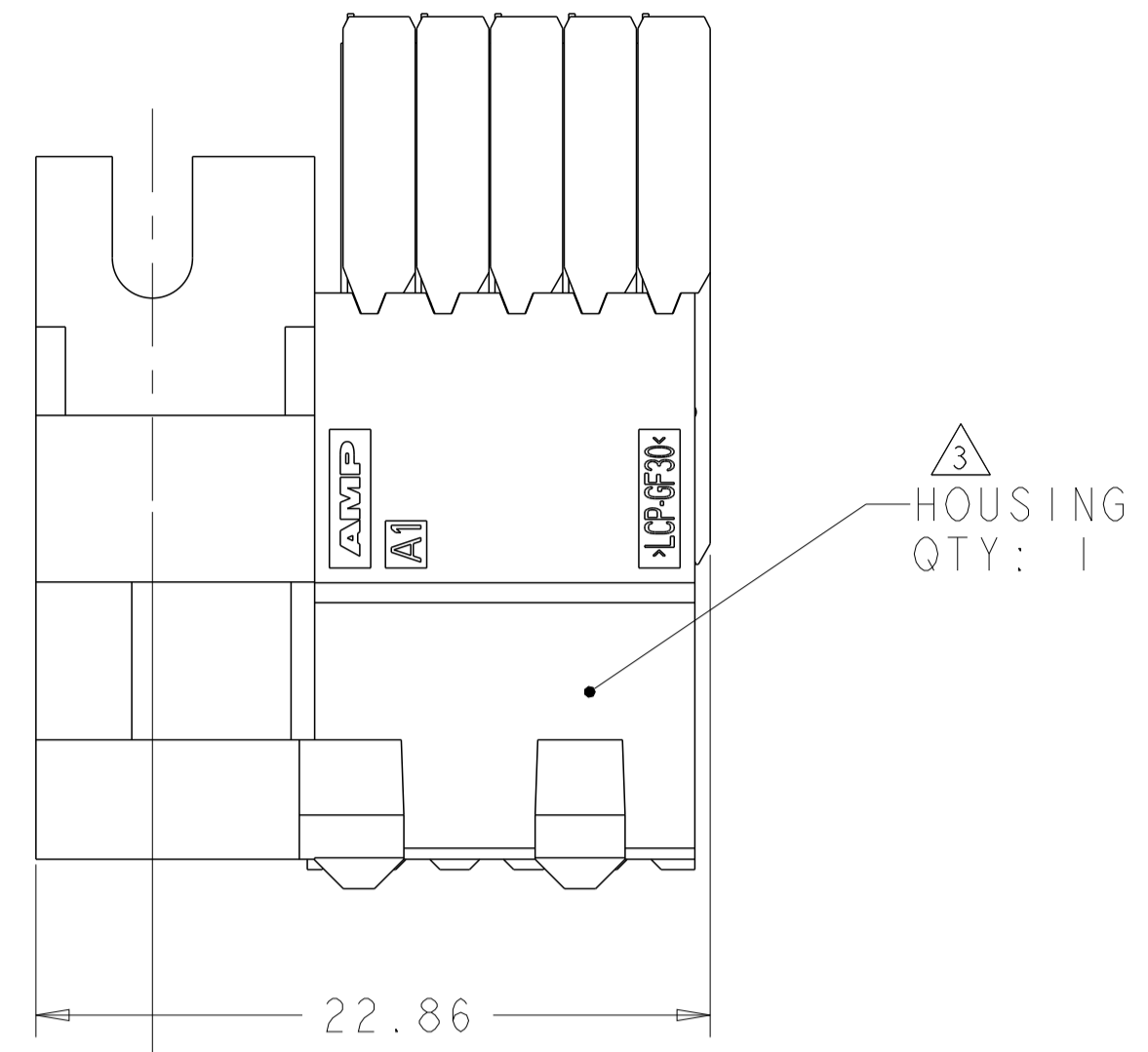


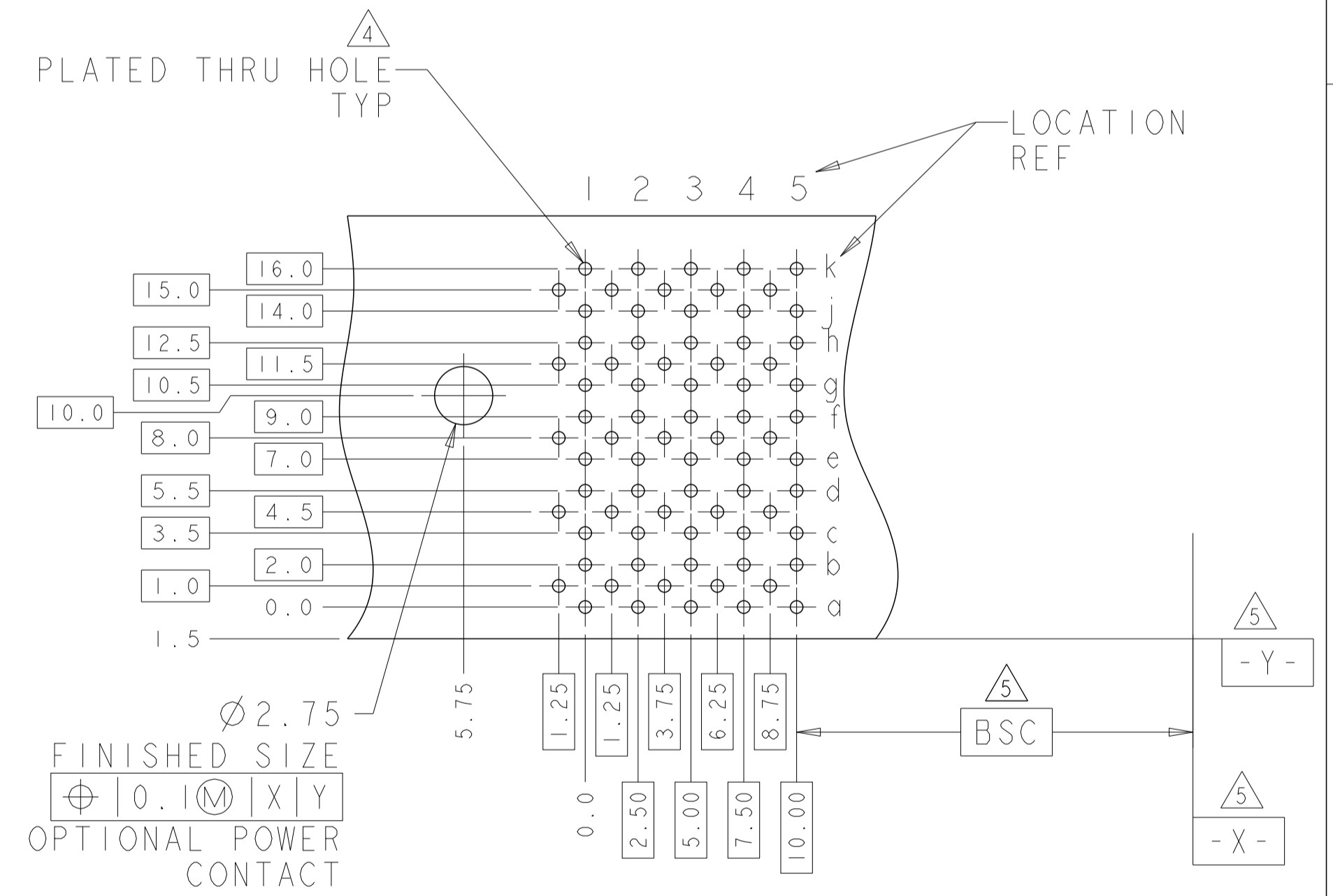
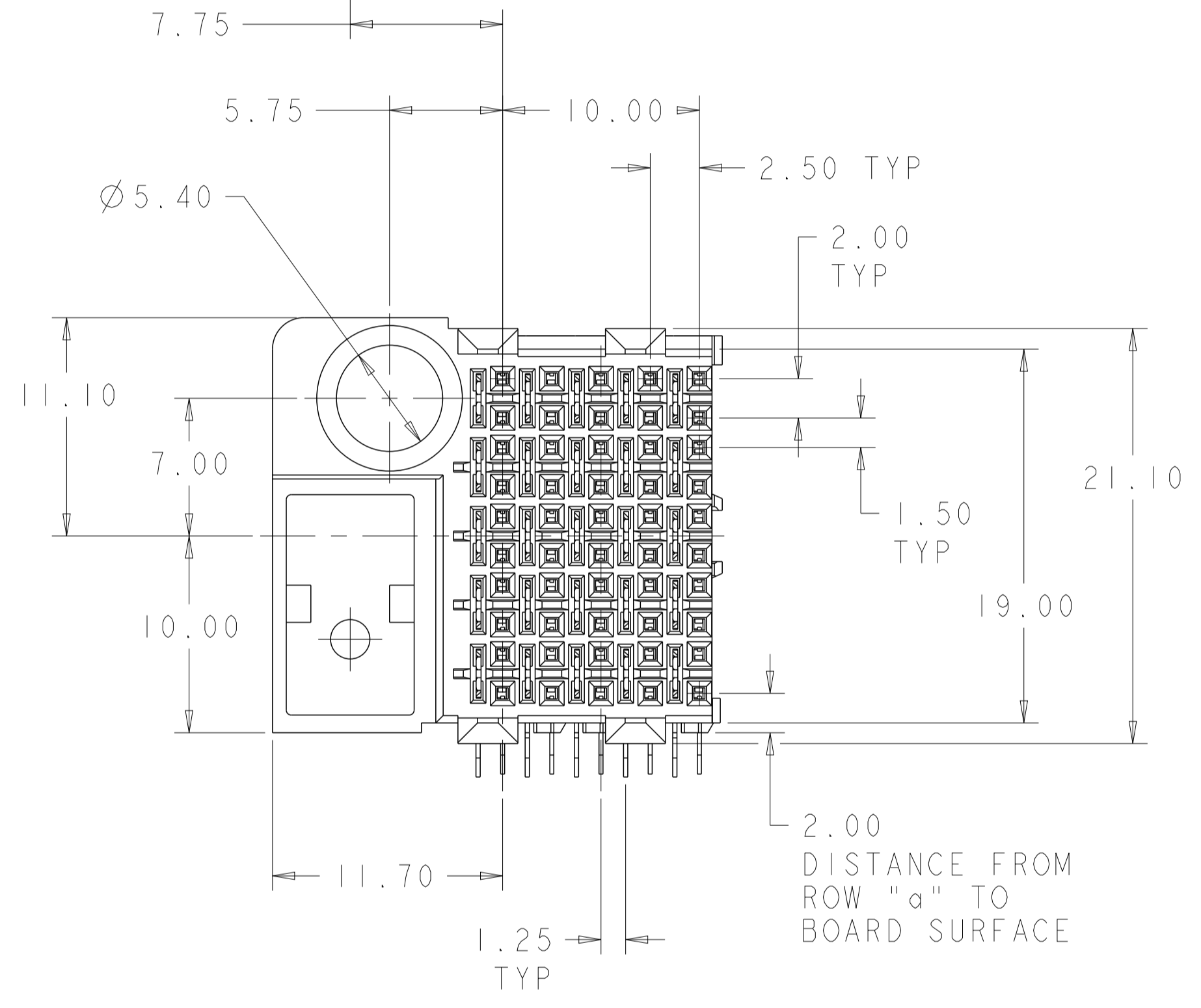
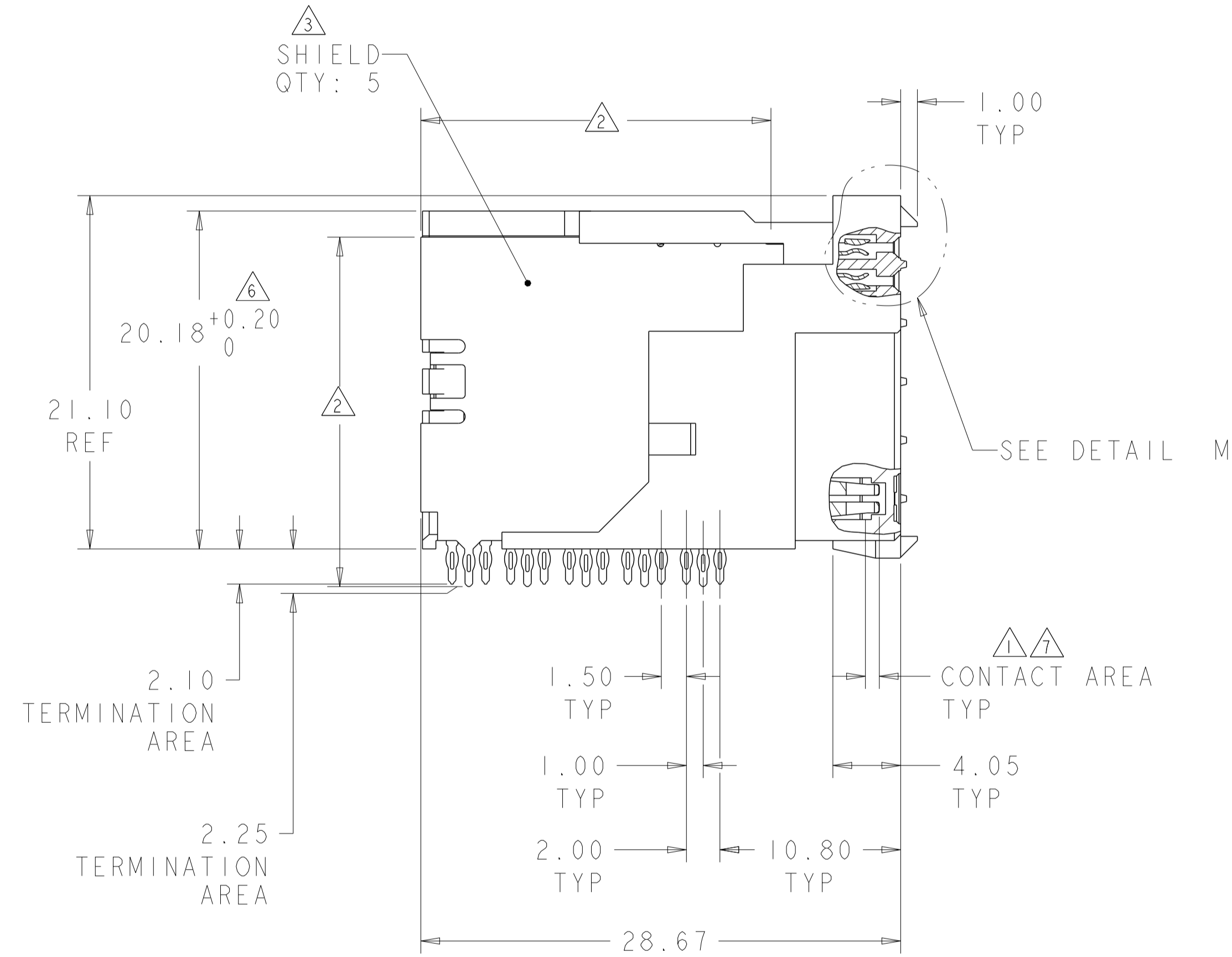
LOC	DIST	REV	DESCRIPTION	DATE	OWN	APVD
AD	00	B	REVISED PER ECO-18-020072	26DEC2018	R.L	H.L



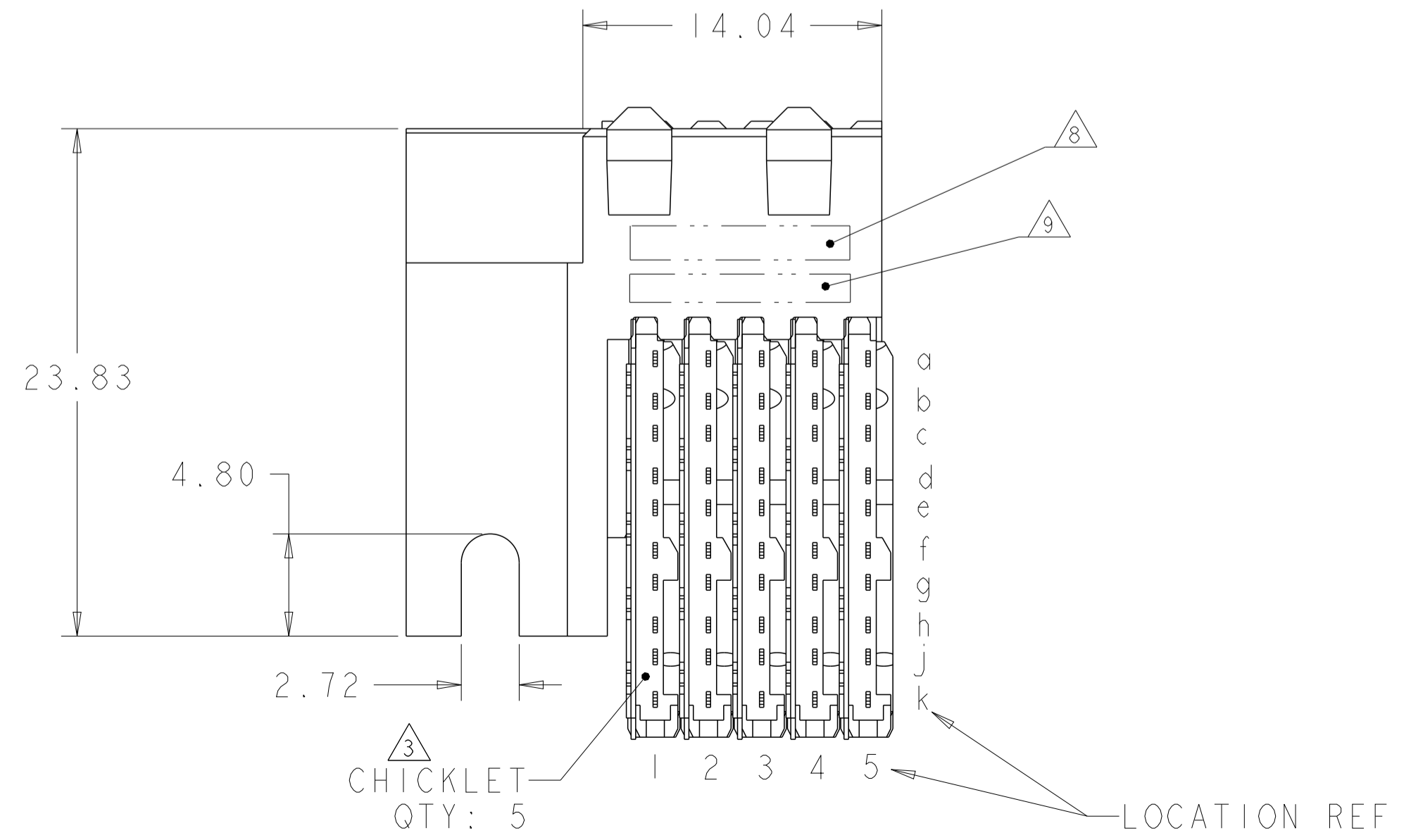
DETAIL M  
SCALE 10:1



- 1 CONTACT MATING AREA MEETS THE PERFORMANCE REQUIREMENTS OF TE CONNECTIVITY PRODUCT SPECIFICATION 108-1957; BASED ON TELCORDIA GR-1217-CORE, APPLICATIONS IN UNCONTROLLED ENVIRONMENTS.
- 2 0.76µm MIN TIN OVER 1.27µm MIN NICKEL
- 3 MATERIAL: CONTACT - COPPER ALLOY  
SHIELD - PHOSPHOR BRONZE  
HOUSING - LCP, UL94V-0  
CHICKLET - GLASS FILLED POLYESTER
- 4 REFERENCE APPLICATION SPEC 114-13020 FOR RECOMMENDED PLATED THRU HOLE DIAMETER AND PLATING THICKNESS.
- 5 DATUM AND BASIC DIMENSION ESTABLISHED BY CUSTOMER.
- 6 SEATING HEIGHT TO BOARD SURFACE.
- 7 CONTACT AREA LUBRICATED WITH BELLCORE APPROVED LUBRICANT. TECHNICAL REFERENCE: GR-1217-CORE, ISSUE 1, NOVEMBER 1995.
- 8 DATE CODE
- 9 PART NUMBER



RECOMMENDED PRINTED  
CIRCUIT BOARD LAYOUT  
COMPONENT SIDE OF PRINTED CIRCUIT BOARD



**OBSOLETE**

5120875-1  
PART NUMBER

THIS DRAWING IS A CONTROLLED DOCUMENT.		OWN: B. CARBO 09DEC04	TE Connectivity
DIMENSIONS: mm		CHK: R. PATTERSON 09DEC04	
TOLERANCES UNLESS OTHERWISE SPECIFIED:		APVD: R. PATTERSON 09DEC04	NAME: RECEPTACLE ASSEMBLY, 50 POSITION, UNIVERSAL GUIDE PIN, LEFT HAND, 10 ROW, DUAL BEAM, Z-PACK HS3
0 PLC ±0.2		PRODUCT SPEC: 108-1957	
2 PLC ±0.13		APPLICATION SPEC: 114-13020	SIZE: A100779 C=5120875
3 PLC ±0.05		WEIGHT: -	
4 PLC ±0.05		RESTRICTED TO: -	SCALE: 4:1 SHEET 1 OF 1 REV: B1
ANGLES: -		CUSTOMER DRAWING	
FINISH: SOLDER TAIL: 2			
CONTACT: 3			