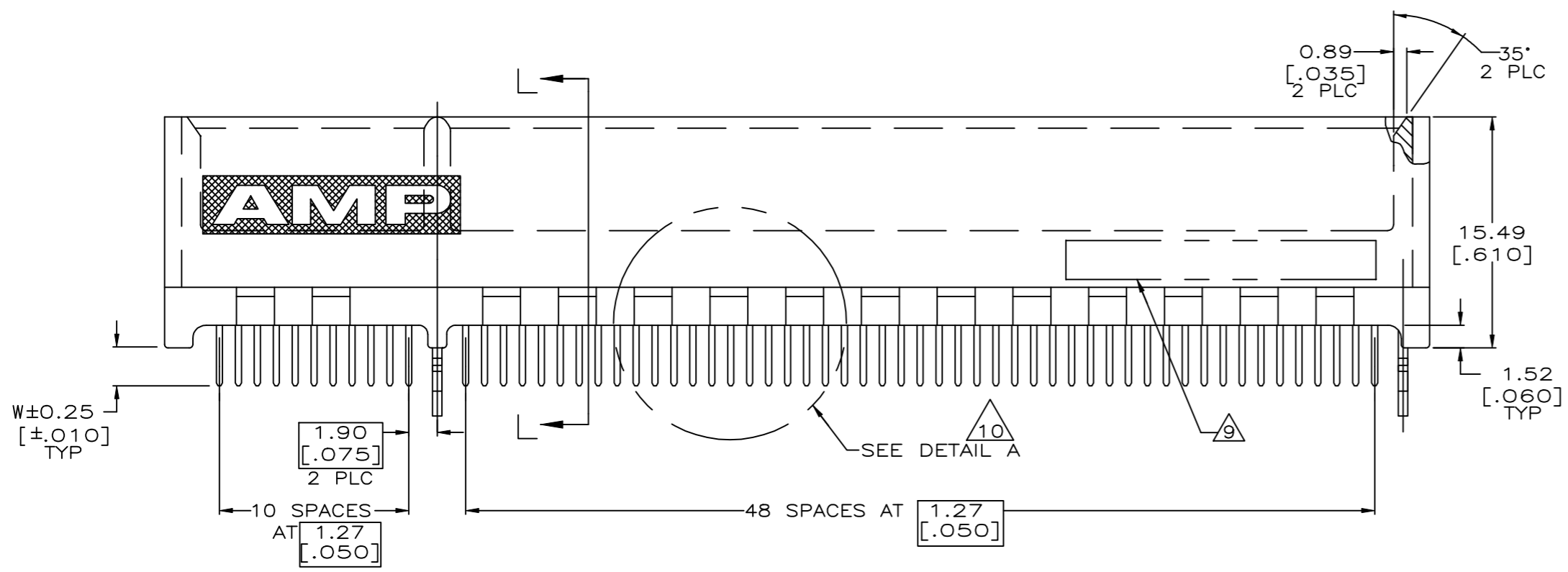
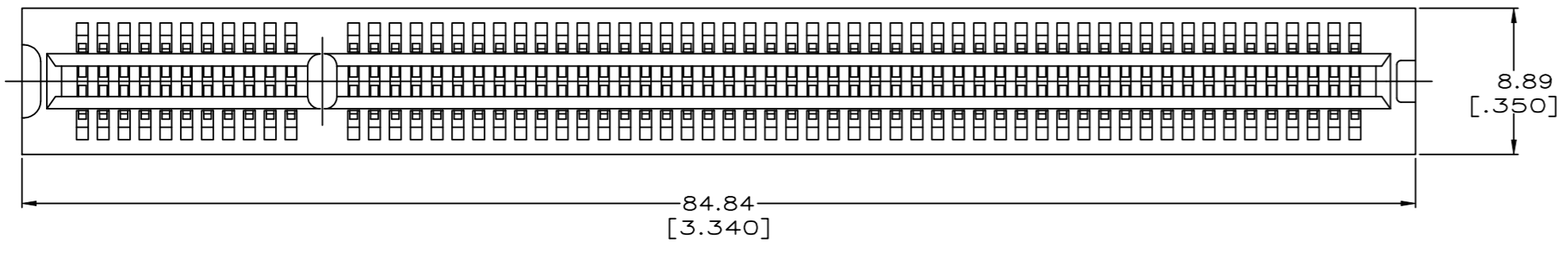
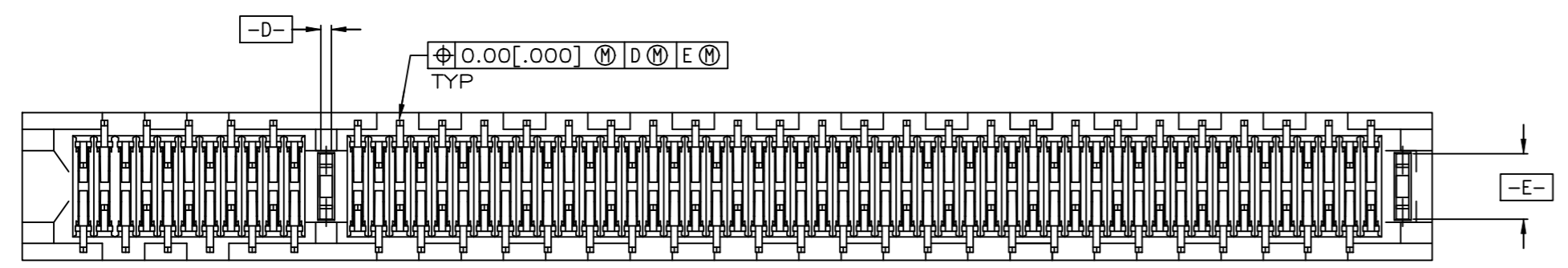


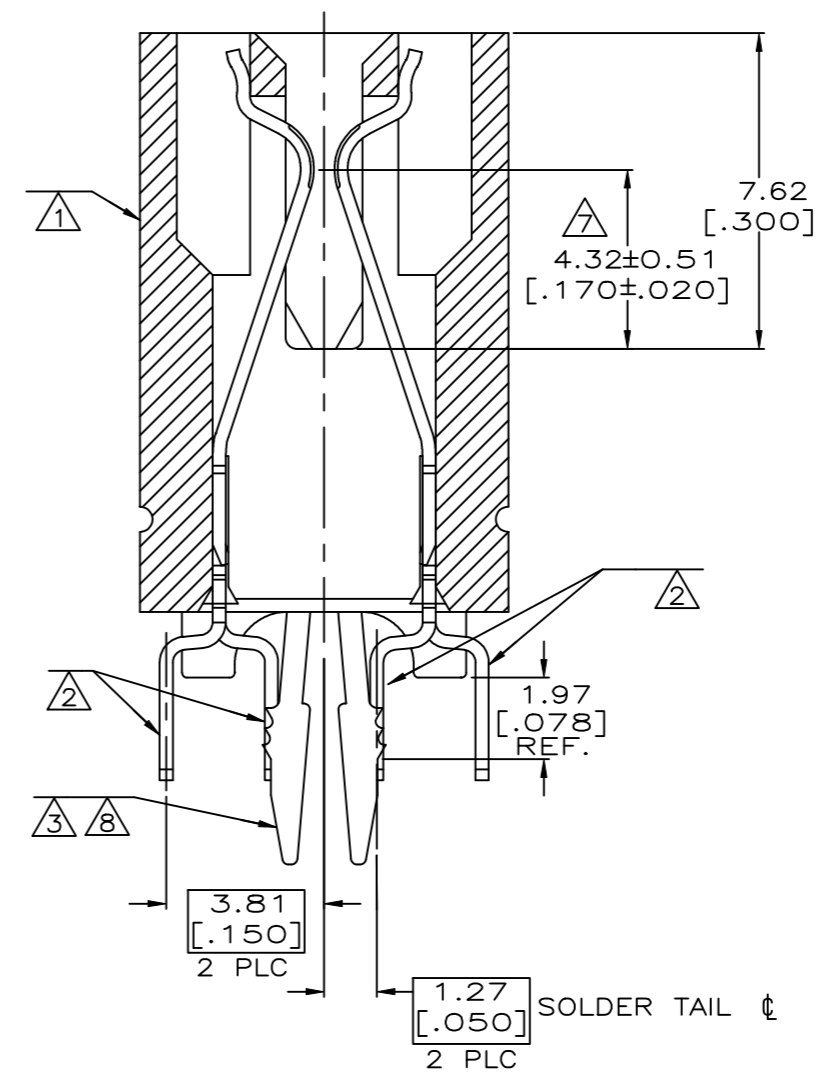
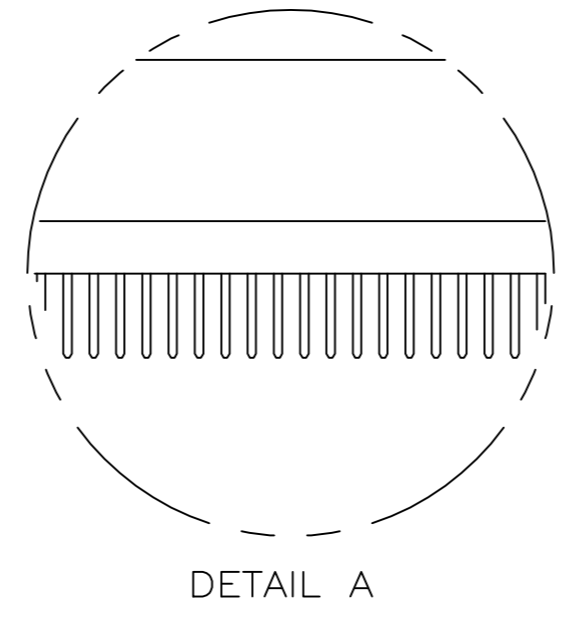
REVISIONS					
P	LTR	DESCRIPTION	DATE	DWN	APVD
E		ECO-18-017212	30NOV2018	FL	HL



- ① HOUSING: HIGH TEMPERATURE THERMOPLASTIC. COLOR - NATURAL
- ② CONTACT: PHOSPHOR BRONZE.
- ③ METAL HOLD DOWN: BRASS
- ④ CONTACT FINISH: .001269[.000050] MIN NICKEL ALL OVER. GOLD FLASH OVER NICKEL IN CONTACT AREA. .002537[.000100] MIN MATTE TIN OVER NICKEL ON SOLDER TAILS.
- ⑤ CONTACT FINISH: .001269[.000050] MIN NICKEL ALL OVER. .000375[.000015] GOLD OVER NICKEL IN CONTACT AREA. .002537[.000100] MIN MATTE TIN OVER NICKEL ON SOLDER TAILS.
- ⑥ CONTACT FINISH: .001269[.000050] MIN NICKEL ALL OVER. .000757[.000030] GOLD OVER NICKEL IN CONTACT AREA. .002537[.000100] MIN MATTE TIN OVER NICKEL ON SOLDER TAILS.
- ⑦ DISTANCE FROM CONTACT POINT TO BOTTOM OF CARD SLOT.
- ⑧ METAL HOLD DOWN FINISH: .001269[.000050] MIN NICKEL ALL OVER, .003809[.000150] MIN MATTE TIN ALL OVER.
- ⑨ AMP PART NUMBER, DATE CODE AND CSA LOGO MARKED IN APPROXIMATE LOCATION SHOWN.
- ⑩ CORED OR SOLID SIDE WALLS ARE AT DISCRETION OF AMP INCORPORATED.
- ⑪ OBSOLETE PARTS: OBSOLETE CIS STREAMLINING PER D.RENAUD/D.SINISI



SEE SHEET 2 FOR HOLE PATTERN

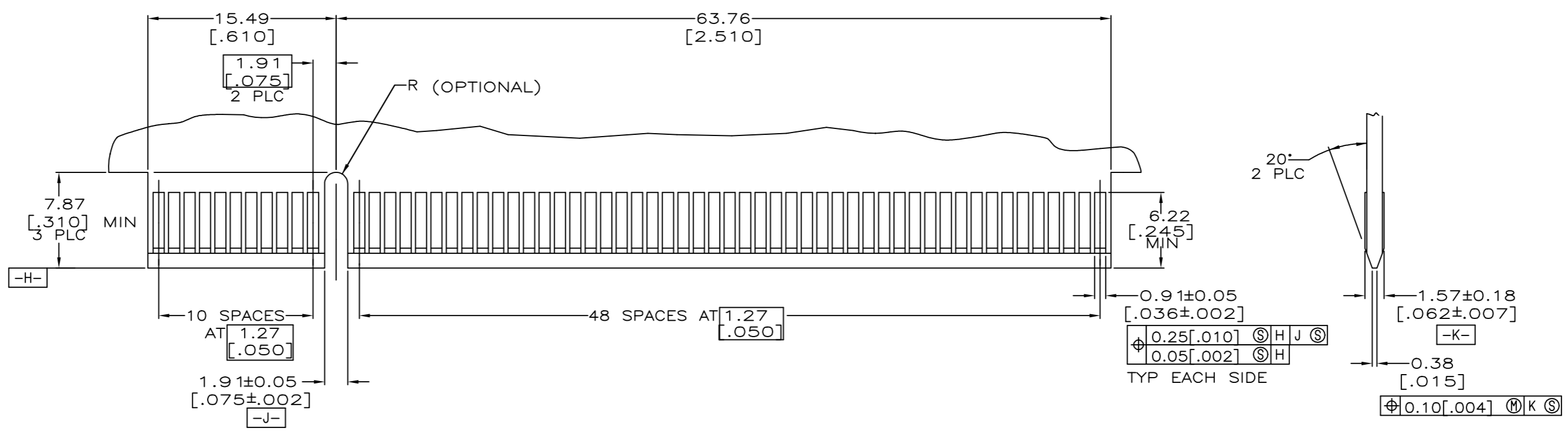


SECTION L-L
SCALE 8:1

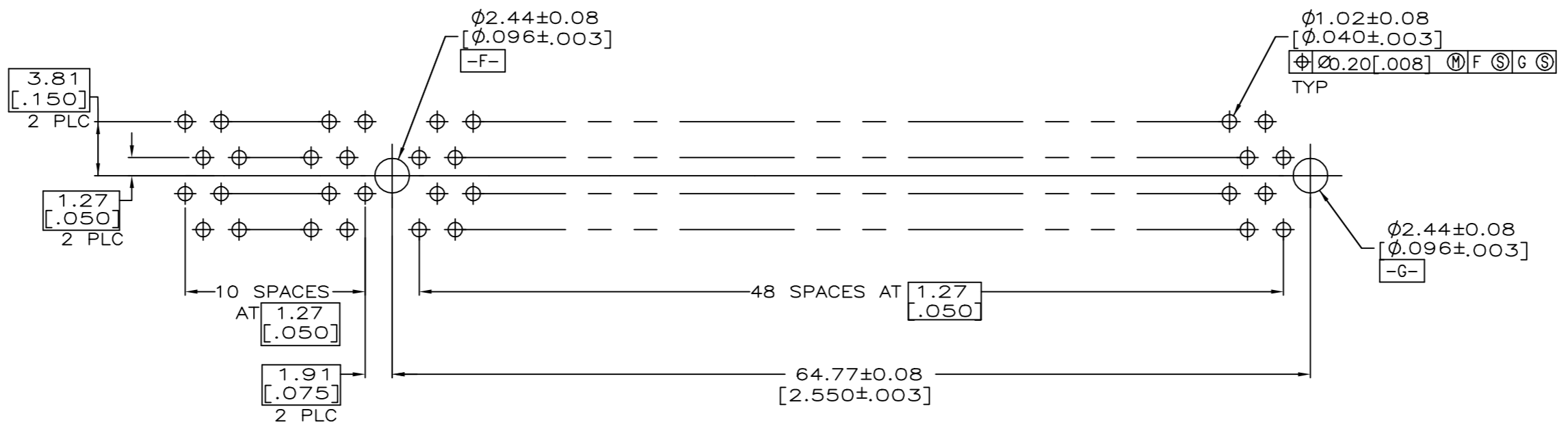
OBSOLETE	4.70 [.185]	①	1-5145167-3
	3.56 [.140]	②	1-5145167-2
	3.18 [.125]	③	5145167-8
	2.54 [.100]	④	5145167-4
OBSOLETE	2.54 [.100]	⑤	5145167-3
① OBSOLETE	2.54 [.100]	⑥	5145167-2
② OBSOLETE	2.54 [.100]	⑦	5145167-1

THIS DRAWING IS A CONTROLLED DOCUMENT.		DWN AL FRANTUM 11 APR 05	TE Connectivity Ltd. CONNECTOR ASSEMBLY, 60 DUAL POSITION, 1.27 [.050] SERIES, STANDARD EDGE	
DIMENSIONS: mm		CHK AL FRANTUM 11 APR 05		
TOLERANCES UNLESS OTHERWISE SPECIFIED:		APVD	NAME	
0 PLC ± -	1 PLC ± -	PRODUCT SPEC	108-14034	
2 PLC ± 0.25 [.01]	3 PLC ± 0.127 [.005]	APPLICATION SPEC	114-26012	
4 PLC ± -	ANGLES ± -	SIZE	A1	00779
MATERIAL	FINISH	WEIGHT	CUSTOMER DRAWING	
①②③	④⑤⑥	SCALE 4:1	SHEET 1	REV E

REVISIONS				
P	LTR	DESCRIPTION	DATE	DWN
-	-	SEE SHEET 1	-	-



RECOMMENDED MATING BOARD EDGE CONFIGURATION



RECOMMENDED CONNECTOR MOUNTING HOLE PATTERN
(CONNECTOR SIDE SHOWN)

THIS DRAWING IS A CONTROLLED DOCUMENT.		DWN AL FRANTUM 11 APR 05	TE Connectivity Ltd.	
		CHK AL FRANTUM 11 APR 05		
DIMENSIONS: mm		APVD -	NAME CONNECTOR ASSEMBLY, 60 DUAL POSITION, 1.27 [.050] SERIES, STANDARD EDGE	
TOLERANCES UNLESS OTHERWISE SPECIFIED: 0 PLC ± - 1 PLC ± - 2 PLC ± 0.25 [.01] 3 PLC ± 0.127 [.005] 4 PLC ± - ANGLES ± °		PRODUCT SPEC 108-14034	RESTRICTED TO	
MATERIAL SEE SHEET 1		APPLICATION SPEC 114-26012	SIZE A1	CAGE CODE 00779
FINISH SEE SHEET 1		WEIGHT -	DRAWING NO 5145167	
		CUSTOMER DRAWING		SCALE 4:1 SHEET 2 OF 2 REV E