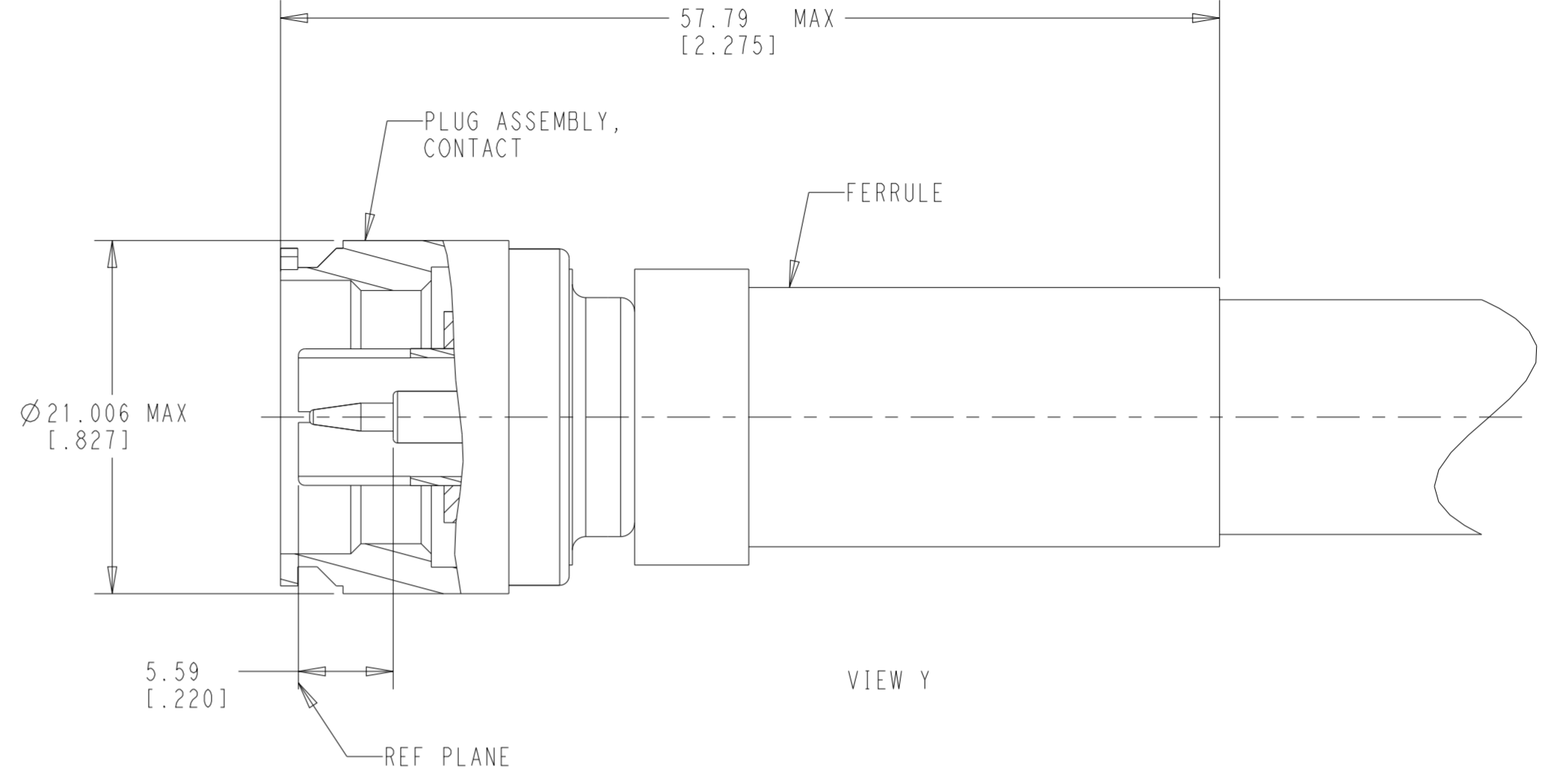
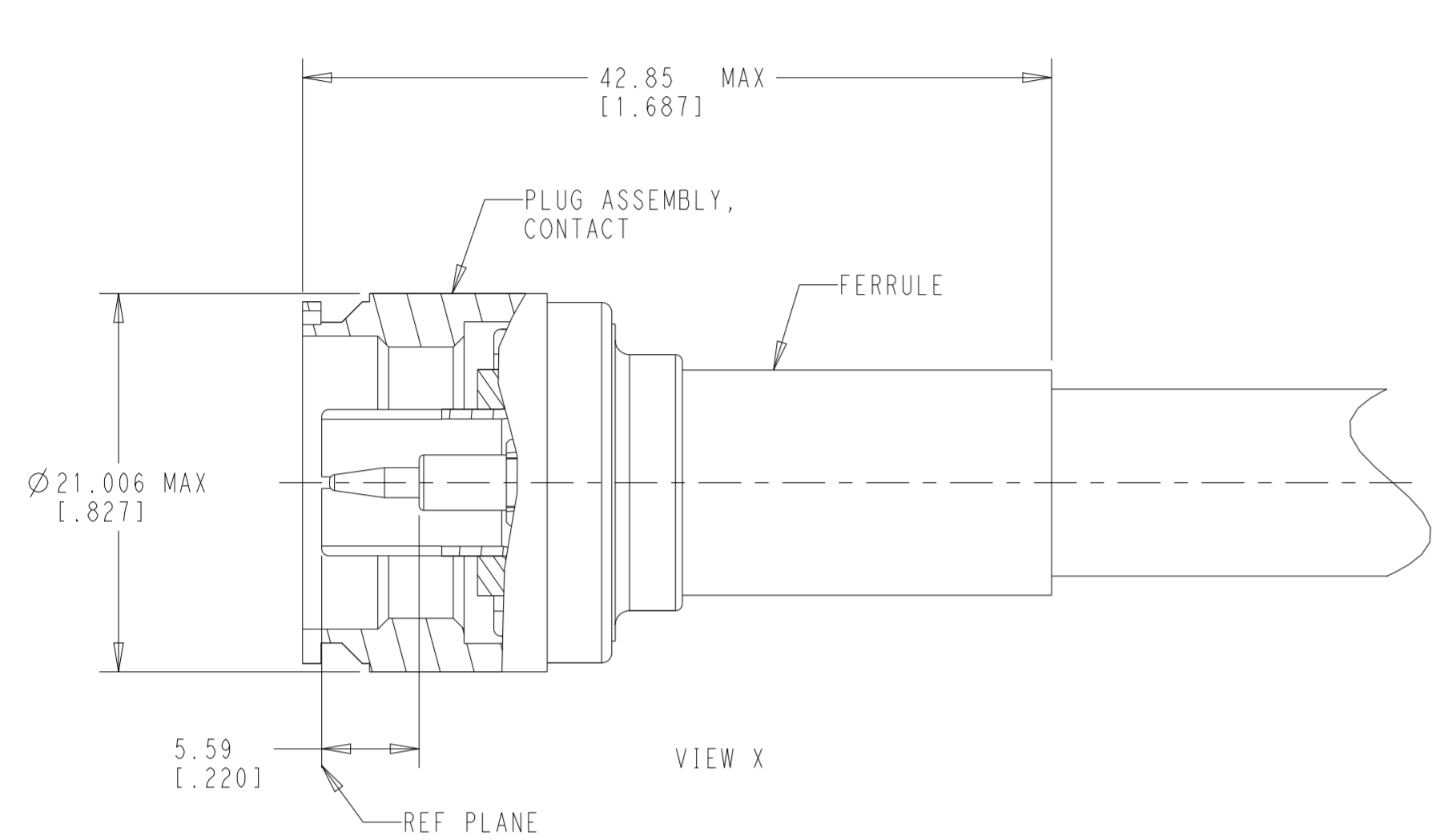
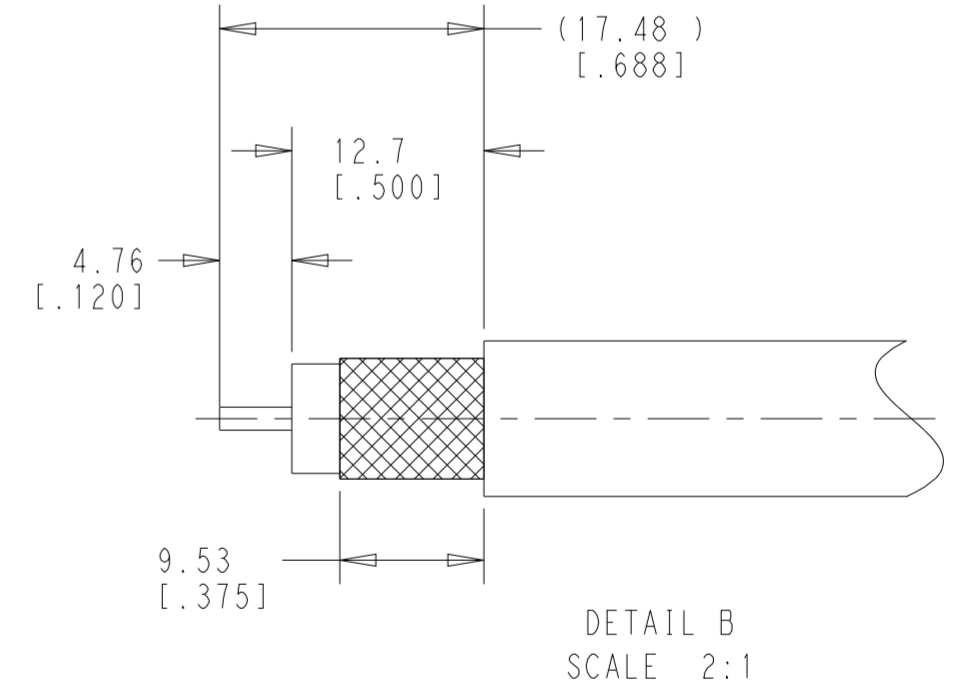
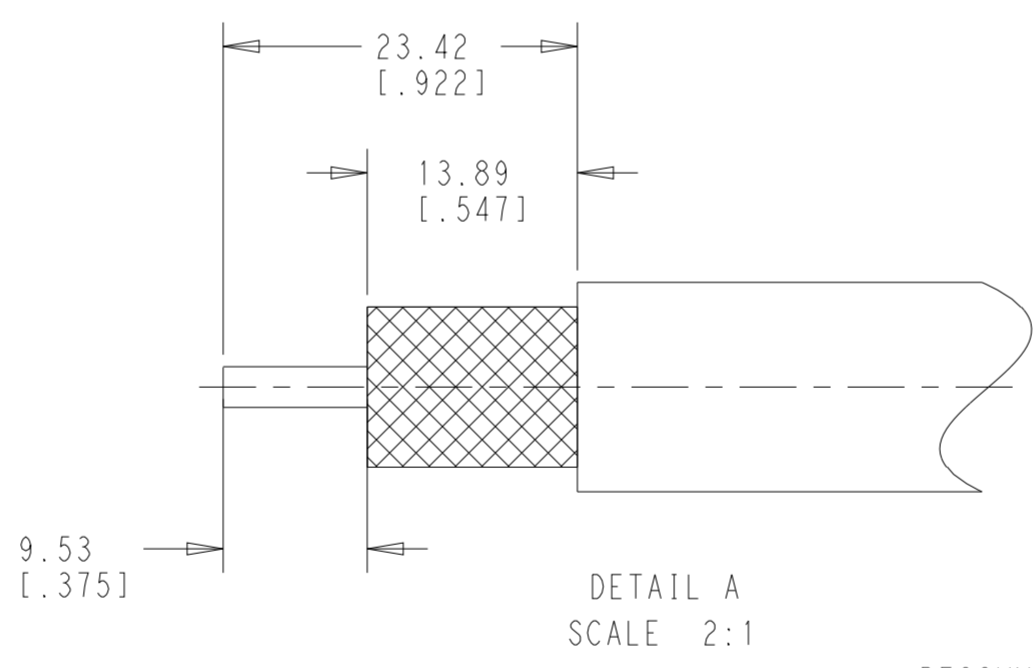


WARNING - THIS DOCUMENT CONTAINS TECHNOLOGY WHOSE EXPORT IS RESTRICTED BY THE EXPORT ADMINISTRATION REGULATIONS ("EAR") PURSUANT TO 15 C.F.R. PARTS 730-774. VIOLATIONS OF THE EAR ARE SUBJECT TO SEVERE CRIMINAL PENALTIES UNDER THE EXPORT CONTROL REFORM ACT, AS AMENDED (TITLE 50, U.S.C., SEC. 4801, ET SEQ.).

| REVISIONS | | | | | |
|-----------|-----|-----------------------|-----------|-----|------|
| P | LTR | DESCRIPTION | DATE | DWN | APVD |
| | U | REV PER ECN-24-282385 | 03SEP2024 | LP | JG |
| | | | | | |
| | | | | | |



| | | |
|----------------|--|----------------------------|
| COUPLING NUT | BRASS PER ASTM B16 | SILVER PLATE PER ASTM B700 |
| WASHER | PHOSPHOR BRONZE ALLOY PER ASTM B139 | N/A |
| GASKETS | SILICONE RUBBER PER A-A-59588 | N/A |
| SHELL | BRASS PER ASTM B16 | SILVER PLATE PER ASTM B700 |
| OUTER CONTACT | PHOSPHOR BRONZE ALLOY PER ASTM B139 | SILVER PLATE PER ASTM B700 |
| DIELECTRIC | PTFE FLUOROCARBON PER ASTM-D-1457 | N/A |
| INNER FERRULE | BRASS PER ASTM B16 OR B36 | SILVER PLATE PER ASTM B700 |
| CENTER CONTACT | BRASS PER ASTM B16 | SILVER PLATE PER ASTM B700 |
| CRIMP FERRULE | COPPER OR BRASS ALLOY ROCKWELL B45 MAX | SILVER PLATE PER ASTM B700 |
| COMPONENT | MATERIAL | FINISH |



RECOMMENDED STRIP LENGTH

| | | | | | |
|---|---|---------------|------|--------|-------------|
| RG-217/U | 1-51692-6 AMP | 220065-1 | Y | A | 1-51692-6 |
| SEE SEPARATE CUSTOMER DRAWING 1-51692-5 | | | | | 1-51692-5 |
| RG-11A,144 | 00779 M39012/01B0013 AMP & DATE (YY-WW) | 220015-1 | X | B | 51692-4 |
| CABLE SIZE | STAMPING | CRIMPING TOOL | VIEW | DETAIL | PART NUMBER |

1. SEE INSTRUCTION SHEET 408-2028-1.

THIS DRAWING IS A CONTROLLED DOCUMENT.

| | | |
|------|---------------|-----------|
| DWN | L. PROSPER | 28AUG2024 |
| CHK | J. GUNDERMANN | 28AUG2024 |
| APVD | D. WILSON | 28AUG2024 |

TE Connectivity

NAME: PLUG, SERIES N

PRODUCT SPEC: 108-12019

APPLICATION SPEC: -

WEIGHT: -

CUSTOMER DRAWING

| | | | |
|------|-----------|------------|---------------|
| SIZE | CAGE CODE | DRAWING NO | RESTRICTED TO |
| A2 | 00779 | C-51692 | - |

SCALE: 3:1 SHEET 1 OF 1 REV U