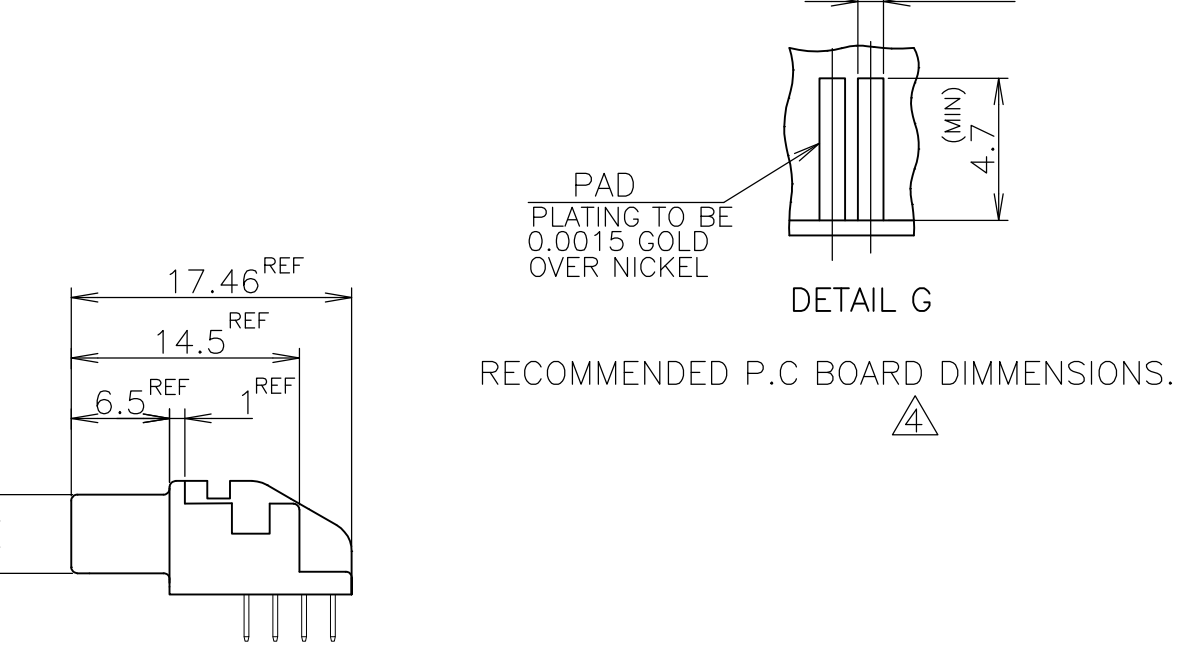
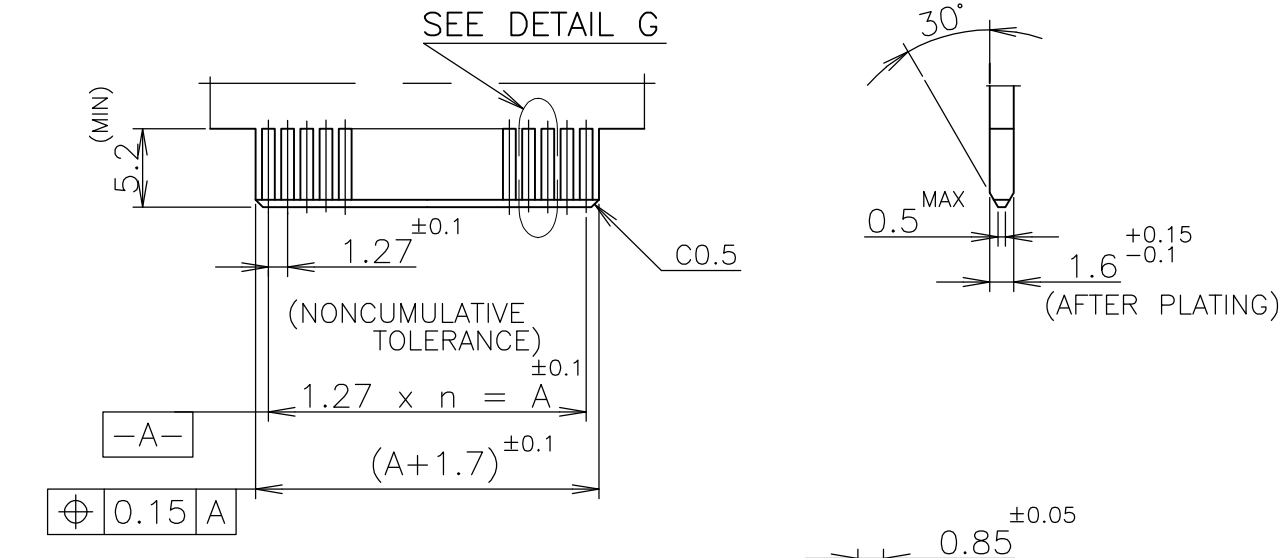
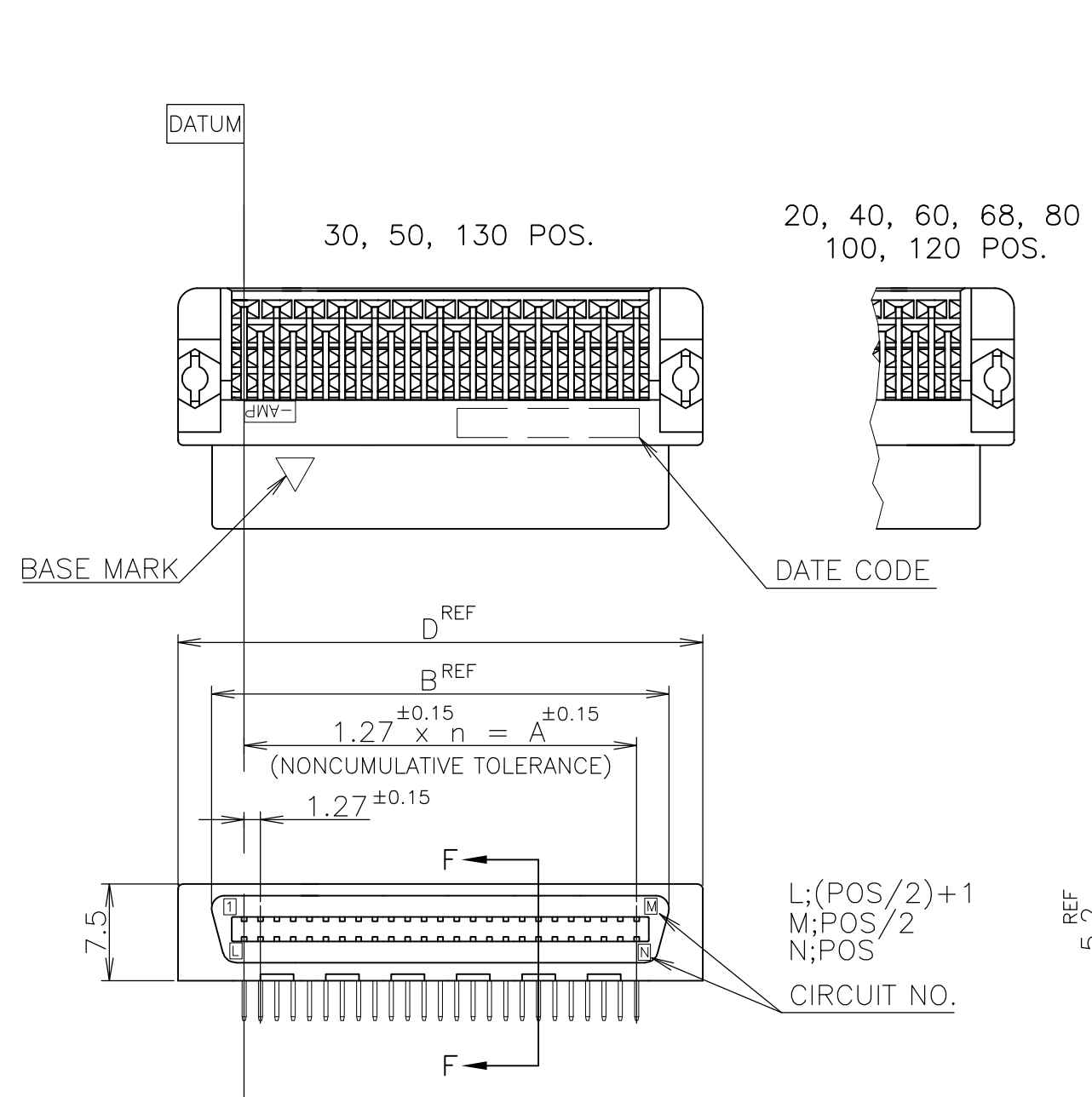
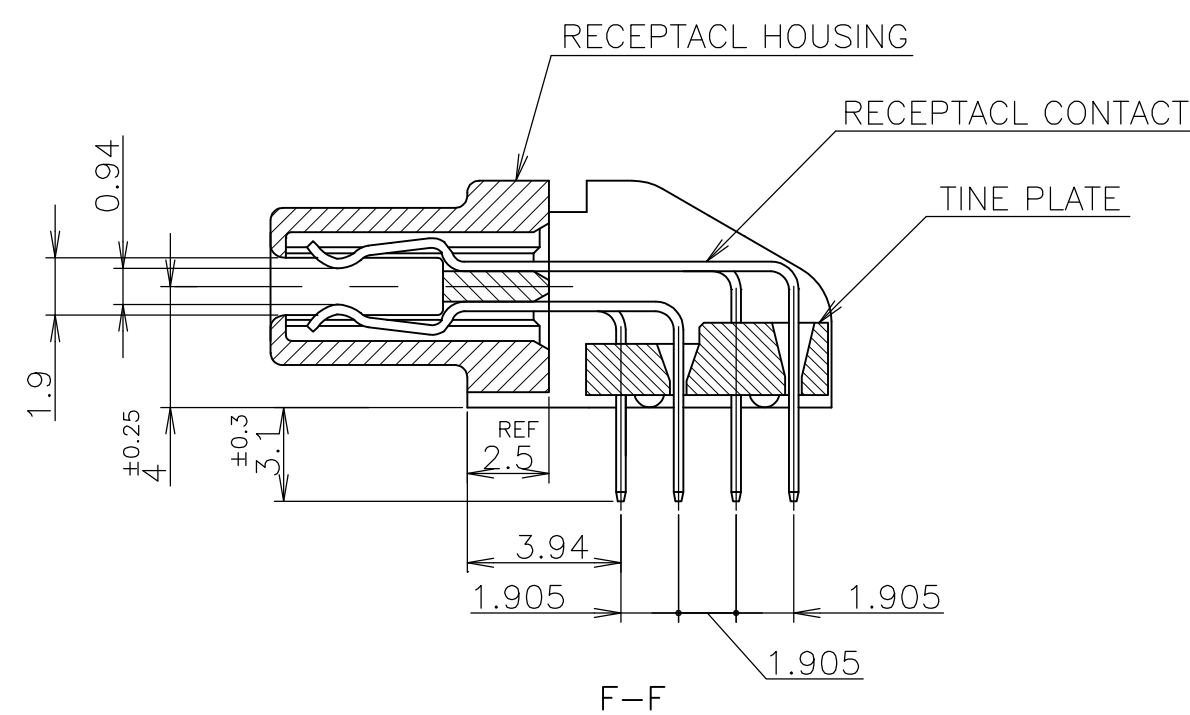
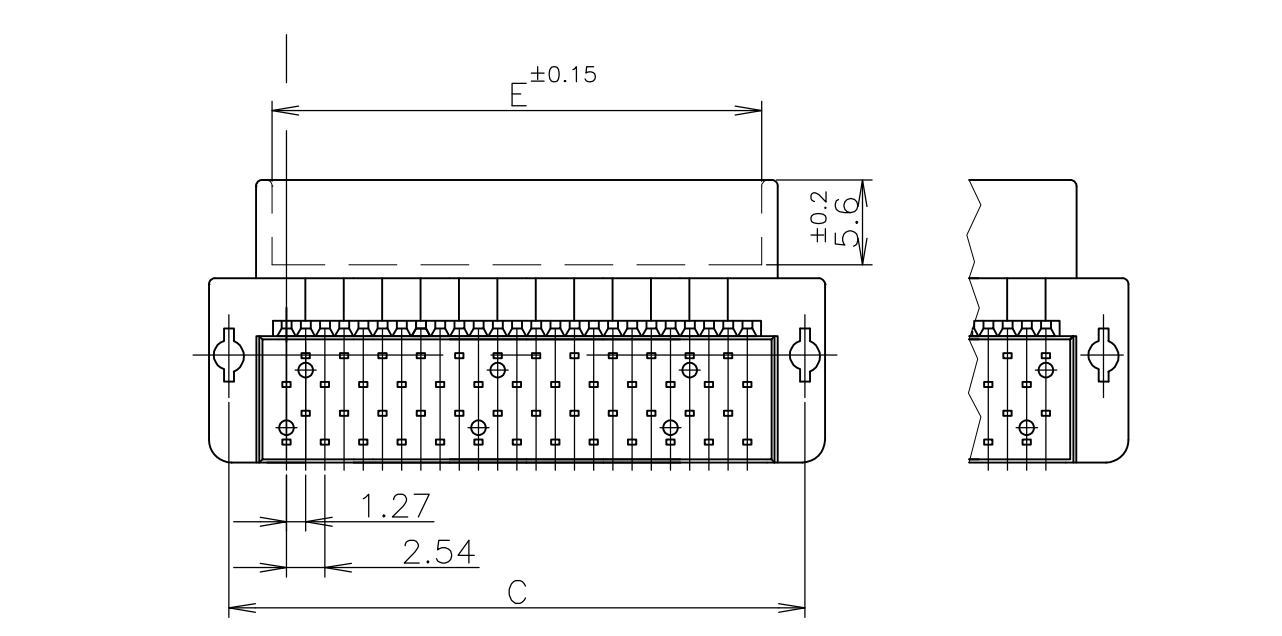


LOC		DIST		REVISIONS			DATE	DWN	APVD
ES	00	P	LTR	DESCRIPTION					
		B		REVISED ECO-12-012349			28MAR13	BL	AC



- 1 NUMBER "n" IS COUNTED FROM DATUM (CIRCUIT NO.1 IS "AMP" MARK SIDE.)
- △ MATERIAL: HOUSING, 66 NYLON (GF) UL 94V-0, BLACK. CONTACT, PHOSPHOR BRONZE.
- △ FINISH: Au AT CONTACT AREA (SEE TABLE), TIN AT TINE, OVER Ni.
- △ P.C. BOARD THK MUST BE 1.6 ± 0.15 FOR CARD EDGE CONNECTOR
- △ ONLY IN CASE OF USING SCREW TO FIX A CONNECTOR ON P.C. BOARD. (SCREW: M2 X 10 CROSS-RECESSED PAN HEAD SCREW AND M2 HEXAGON NUT.)



6-	-2		130	64	81.28	86.82	88.68	92.48	83.18
6-	-1		120	59	74.93	80.47	82.33	86.13	76.83
6-	-0		100	49	62.23	67.77	69.63	73.43	64.13
5-	-9		80	39	49.53	55.07	56.93	60.73	51.43
5-	-8		68	33	41.91	47.45	49.31	53.11	43.81
5-	-7		60	29	36.83	42.37	44.23	48.03	38.73
5-	-6		50	24	30.48	36.02	37.88	41.68	32.38
5-	-5		40	19	24.13	29.67	31.53	35.33	26.03
5-	-3		30	14	17.78	23.32	25.18	28.98	19.68
5-	-1	0.00076	20	9	11.43	16.97	18.83	22.63	13.33
4-	-2		130	64	81.28	86.82	88.68	92.48	83.18
4-	-1		120	59	74.93	80.47	82.33	86.13	76.83
4-	-0		100	49	62.23	67.77	69.63	73.43	64.13
3-	-9		80	39	49.53	55.07	56.93	60.73	51.43
3-	-8		68	33	41.91	47.45	49.31	53.11	43.81
3-	-7		60	29	36.83	42.37	44.23	48.03	38.73
3-	-6		50	24	30.48	36.02	37.88	41.68	32.38
3-	-5		40	19	24.13	29.67	31.53	35.33	26.03
3-	-3		30	14	17.78	23.32	25.18	28.98	19.68
3-	-1	0.0005	20	9	11.43	16.97	18.83	22.63	13.33
1-	-2		130	64	81.28	86.82	88.68	92.48	83.18
1-	-1		120	59	74.93	80.47	82.33	86.13	76.83
1-	-0		100	49	62.23	67.77	69.63	73.43	64.13
	-9		80	39	49.53	55.07	56.93	60.73	51.43
	-8		68	33	41.91	47.45	49.31	53.11	43.81
	-7		60	29	36.83	42.37	44.23	48.03	38.73
	-6		50	24	30.48	36.02	37.88	41.68	32.38
	-5		40	19	24.13	29.67	31.53	35.33	26.03
	-3		30	14	17.78	23.32	25.18	28.98	19.68
			20	9	11.43	16.97	18.83	22.63	13.33
			100	49	62.23	67.77	69.63	73.43	64.13
			120	59	74.93	80.47	82.33	86.13	76.83
			130	64	81.28	86.82	88.68	92.48	83.18
			20	9	11.43	16.97	18.83	22.63	13.33
			30	14	17.78	23.32	25.18	28.98	19.68
			40	19	24.13	29.67	31.53	35.33	26.03
			50	24	30.48	36.02	37.88	41.68	32.38
			60	29	36.83	42.37	44.23	48.03	38.73
			68	33	41.91	47.45	49.31	53.11	43.81
			80	39	49.53	55.07	56.93	60.73	51.43
			83	42	52.18	57.72	59.58	63.38	54.08
			90	45	55.13	60.67	62.53	66.33	57.03
			100	49	62.23	67.77	69.63	73.43	64.13
			120	59	74.93	80.47	82.33	86.13	76.83
			130	64	81.28	86.82	88.68	92.48	83.18
			20	9	11.43	16.97	18.83	22.63	13.33
			30	14	17.78	23.32	25.18	28.98	19.68
			40	19	24.13	29.67	31.53	35.33	26.03
			50	24	30.48	36.02	37.88	41.68	32.38
			60	29	36.83	42.37	44.23	48.03	38.73
			68	33	41.91	47.45	49.31	53.11	43.81
			80	39	49.53	55.07	56.93	60.73	51.43
			83	42	52.18	57.72	59.58	63.38	54.08
			90	45	55.13	60.67	62.53	66.33	57.03
			100	49	62.23	67.77	69.63	73.43	64.13
			120	59	74.93	80.47	82.33	86.13	76.83
			130	64	81.28	86.82	88.68	92.48	83.18
			20	9	11.43	16.97	18.83	22.63	13.33
			30	14	17.78	23.32	25.18	28.98	19.68
			40	19	24.13	29.67	31.53	35.33	26.03
			50	24	30.48	36.02	37.88	41.68	32.38
			60	29	36.83	42.37	44.23	48.03	38.73
			68	33	41.91	47.45	49.31	53.11	43.81
			80	39	49.53	55.07	56.93	60.73	51.43
			83	42	52.18	57.72	59.58	63.38	54.08
			90	45	55.13	60.67	62.53	66.33	57.03
			100	49	62.23	67.77	69.63	73.43	64.13
			120	59	74.93	80.47	82.33	86.13	76.83
			130	64	81.28	86.82	88.68	92.48	83.18
			20	9	11.43	16.97	18.83	22.63	13.33
			30	14	17.78	23.32	25.18	28.98	19.68
			40	19	24.13	29.67	31.53	35.33	26.03
			50	24	30.48	36.02	37.88	41.68	32.38
			60	29	36.83	42.37	44.23	48.03	38.73
			68	33	41.91	47.45	49.31	53.11	43.81
			80	39	49.53	55.07	56.93	60.73	51.43
			83	42	52.18	57.72	59.58	63.38	54.08
			90	45	55.13	60.67	62.53	66.33	57.03
			100	49	62.23	67.77	69.63	73.43	64.13
			120	59	74.93	80.47	82.33	86.13	76.83
			130	64	81.28	86.82	88.68	92.48	83.18
			20	9	11.43	16.97	18.83	22.63	13.33
			30	14	17.78	23.32	25.18	28.98	19.68
			40	19	24.13	29.67	31.53	35.33	26.03
			50	24	30.48	36.02	37.88	41.68	32.38
			60	29	36.83	42.37	44.23	48.03	38.73
			68	33	41.91	47.45	49.31	53.11	43.81
			80	39	49.53	55.07	56.93	60.73	51.43
			83	42	52.18	57.72	59.58	63.38	54.08
			90	45	55.13	60.67	62.53	66.33	57.03
			100	49	62.23	67.77	69.63	73.43	64.13
			120	59	74.93	80.47	82.33	86.13	76.83
			130	64	81.28	86.82	88.68	92.48	83.18
			20	9	11.43	16.97	18.83	22.63	13.33
			30	14	17.78	23.32	25.18	28.98	19.68
			40	19	24.13	29.67	31.53	35.33	26.03
			50	24	30.48	36.02	37.88	41.68	32.38
			60	29	36.83	42.37	44.23	48.03	38.73
			68	33	41.91	47.45	49.31	53.11	43.81
			80	39	49.53	55.07	56.93	60.73	51.43
			83	42	52.18	57.72	59.58	63.38	54.08
			90	45	55.13	60.67	62.53	66.33	57.03
			100	49	62.23	67.77	69.63	73.43	64.13
			120	59	74.93	80.47	82.33	86.13	76.83
			130	64	81.28	86.82	88.68	92.48	83.18
			20	9	11.43	16.97	18.83	22.63	13.33
			30	14	17.78	23.32	25.18	28.98	19.68
			40	19	24.13	29.67	31.53	35.33	26.03
			50	24	30.48	36.02	37.88	41.68	32.38
			60	29	36.83	42.37	44.23	48.03	38.73
			68	33	41.91	47.45	49.31	53.11	43.81
			80	39	49.53	55.07	56.93	60.73	51.43
			83	42	52.18	57.72	59.58	63.38	54.08
			90	45	55.13	60.67	62.53	66.33	57.03
			100	49	62.23	67.77	69.63	73.43	64.13
			120	59	74.93	80.47	82.33	86.13	76.83
			130	64	81.28	86.82	88.68	92.48	83.18
			20	9	11.43	16.97	18.83	22.63	13.33
			30	14	17.78	23.32	25.18	28.98	19.68
			40	19	24.13				