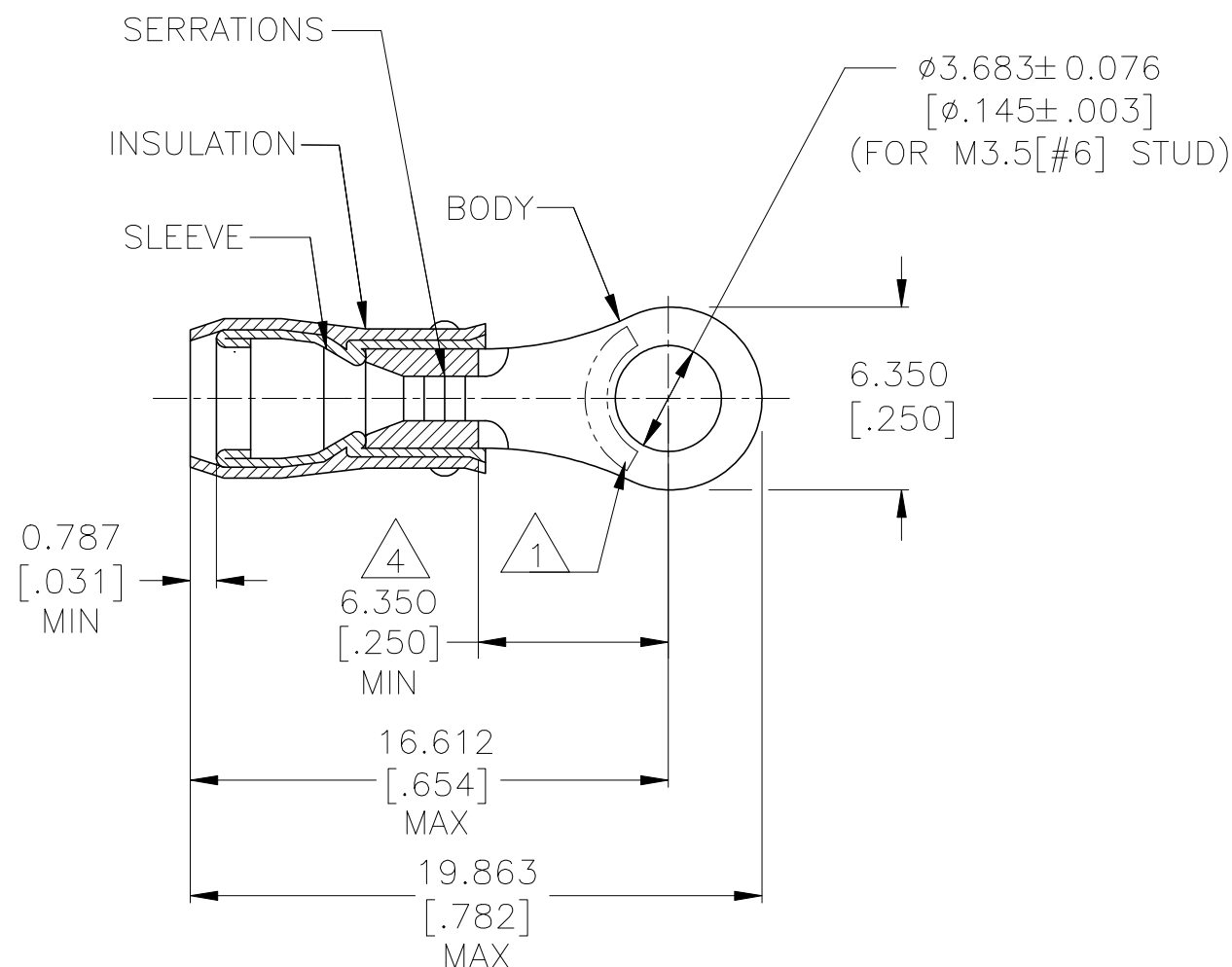





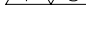


P	LTR	DESCRIPTION	DATE	DWN	APVD
	AB	REVISED PER ECR-23-175984	30MAY2023	BB	DSC

<b>AMP</b> WIRE RANGE	 Listed FILE E13288	 LR7189 Certified
22-16 AWG SOLID OR STRANDED	22-16 AWG STRANDED	22-16 AWG SOLID OR STRANDED



- 1 STAMP AMP 22-18\* APPROX AS SHOWN  
22-16 TERMINALS ARE STAMPED 22-18 IN  
ACCORDANCE WITH MILITARY SPEC SAE- AS7928  
COMMERCIAL WIRE RANGE IS 22-16.
- 2 WIRE INSULATION DIA:  $\phi 2.032-3.175[\phi .080-.125]$ .
- 3 BODY MATERIAL THK:  $0.787 \pm 0.051[.031 \pm .002]$ .
- 4 DIMENSION APPLIES FROM EDGE OF METAL  
WIRE BARREL TO CENTER OF STUD HOLE.
- 5 MATERIAL:  
BODY & SLEEVE - COPPER PER ASTM B152  
INSULATION - NYLON.
- 6 FINISH:  
BODY & SLEEVE - TIN PLATE  
 $0.00254[.000100]$  MIN EXT THK PER ASTM B545,  
INSULATION COLOR - RED.
- 7 UL LISTED.
- 8 CSA CERTIFIED.

 	--	100	LOOSE PIECE, BOX	7-51863-1
 	--	5000	ON TAPE, REEL	51863-1
 	MS25036-102 CLASS 1	1000	LOOSE PIECE	51863
	MILITARY P/N AND CLASS	QTY	PACKAGE TYPE	PART NUMBER

AMP INCORPORATED  
CUSTOMER SERVICE SYSTEMS

MAX RECOMMENDED OPERATING  
TEMPERATURE:

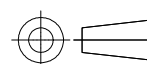
105°C[221°F] MAX

VOLTAGE RATING:  
300V MAX

CIRCULAR MIL AREA:  
 $0.26-1.65\text{mm}^2[509-3260]$  CIR MILS  
SOLID OR STRANDED

THIS DRAWING IS A CONTROLLED DOCUMENT.

DIMENSIONS:  
mm [INCHES]



TOLERANCES UNLESS  
OTHERWISE SPECIFIED:

0 PLC ± -  
1 PLC ± -  
2 PLC ± -  
3 PLC ± 0.127[.005]  
4 PLC ± -  
ANGLES ± -

MATERIAL



FINISH



DWN 9/8/93

DK SCHRUM

CHK 9/8/93

RE HERSEY

APVD 9/8/93

M BARNABA

PRODUCT SPEC

UL 486A-B 

APPLICATION SPEC

114-2157

WEIGHT

-

CUSTOMER DRAWING



TE Connectivity Ltd.

NAME  
TERMINAL, RING TONGUE, PIDG  
WIRE SIZE: 22-16 AWG

SIZE	CAGE CODE	DRAWING NO	RESTRICTED TO
A3	00779	C-51863	-

FOR ORDER ENTRY 1-800-526-5142


THIS DRAWING IS A CONTROLLED DOCUMENT FOR  
AMP INCORPORATED. IT IS SUBJECT TO CHANGE  
AND THE CONTROLLING ENGINEERING ORGANIZATION  
SHOULD BE CONTACTED FOR THE LATEST REVISION.

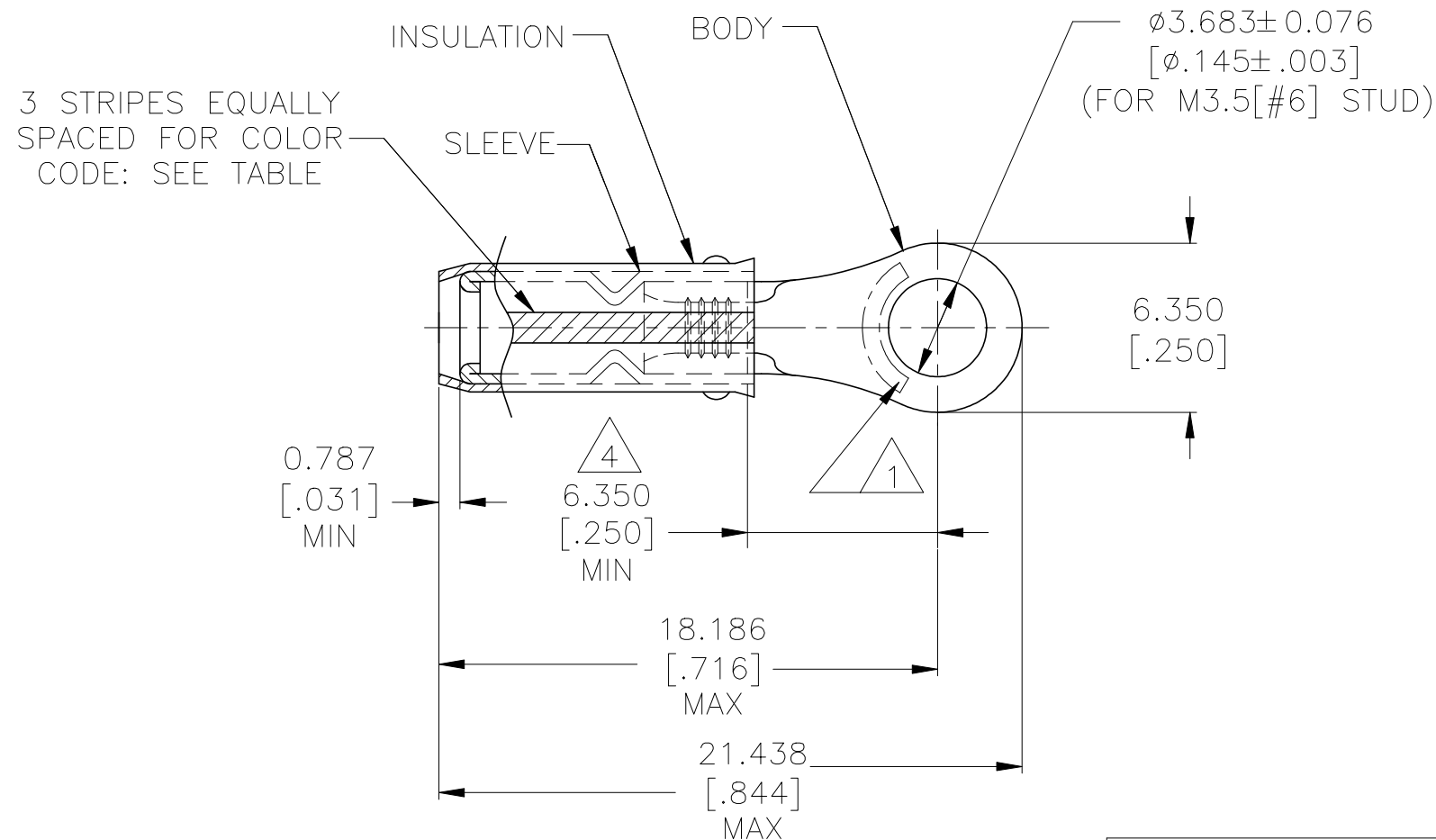
SCALE NTS SHEET 1 of 2 REV AB


© - TE Connectivity. All Rights Reserved.


REVISIONS


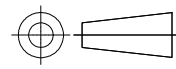


P	LTR	DESCRIPTION	DATE	DWN	APVD
-	-	SEE SHEET 1	-	-	-

<b>AMP</b> WIRE RANGE	 LR 7189 Certified
SEE TABLE STRANDED	WIRE SIZE PER TABLE STRANDED



- 1 STAMP AMP  APPROX AS SHOWN SEE TABLE BELOW.
- 2 WIRE INSULATION DIA :  $\phi 0.965-2.794[\phi 0.038-.110]$  FOR 22 AWG  
 $\phi 1.168-2.794[\phi 0.046-.110]$  FOR 20 AWG  
 $\phi 1.422-2.794[\phi 0.056-.110]$  FOR 18 AWG.
- 3 BODY MATERIAL THK:  $0.787 \pm 0.051[.031 \pm .002]$ .
- 4 DIMENSION APPLIES FROM EDGE OF METAL WIRE BARREL TO CENTER OF STUD HOLE.
- 5 MATERIAL:  
BODY & SLEEVE - COPPER PER ASTM B152  
INSULATION - NYLON.
- 6 FINISH:  
BODY & SLEEVE - TIN PLATE  
 $0.00254[.000100]$  MIN EXT. THK PER ASTM B545,  
INSULATION COLOR - RED.
- 7 NOTE DELETED
- 8 CSA CERTIFIED.

8	--	WHITE	18*	18	5000	ON TAPE, REEL	51863-7
8	--	GREEN	22*	22	5000	ON TAPE, REEL	51863-5
8	M7928/1-31 CLASS 1	WHITE	18*	18	1000	LOOSE PIECE	51863-4
8	M7928/1-22 CLASS 1	RED	20*	20	1000	LOOSE PIECE	51863-3
8	M7928/1-13 CLASS 1	GREEN	22*	22	1000	LOOSE PIECE	51863-2
	MILITARY P/N AND CLASS	STRIPE COLOR	 STAMPING	WIRE SIZE	QTY	PACKAGE TYPE	PART NO.

AMP INCORPORATED CUSTOMER SERVICE SYSTEMS		MAX RECOMMENDED OPERATING TEMPERATURE: 105°C[221°F] MAX	THIS DRAWING IS A CONTROLLED DOCUMENT.		DWN DK SCHRUM 9/8/93	 TE Connectivity Ltd.	
FOR ADDITIONAL PRODUCT INFORMATION OR COPIES OF DRAWINGS AND TECHNICAL DOCUMENTS	PRODUCT INFORMATION CENTER 1-800-522-6752	VOLTAGE RATING: 300V MAX	DIMENSIONS: mm [INCHES]	TOLERANCES UNLESS OTHERWISE SPECIFIED:	CHK RE HERSEY 9/8/93	NAME TERMINAL, RING TONGUE, IR, PIDG WIRE SIZE: 22, 20 & 18 AWG	
FOR APPLICATION TOOLING INFORMATION	TOOLING ASSISTANCE CENTER 1-800-722-1111	WIRE RANGE: CIRC MIL AREA: 22 0.38mm² [754] 20 0.60mm² [1,186] 18 0.90mm² [1,900] STRANDED		0 PLC ± - 1 PLC ± - 2 PLC ± - 3 PLC ± 0.127[.005] 4 PLC ± - ANGLES ± -	APVD M BARNABA 9/8/93	PRODUCT SPEC	SIZE CAGE CODE DRAWING NO RESTRICTED TO
FOR ORDER ENTRY	1-800-526-5142	THIS DRAWING IS A CONTROLLED DOCUMENT FOR AMP INCORPORATED. IT IS SUBJECT TO CHANGE AND THE CONTROLLING ENGINEERING ORGANIZATION SHOULD BE CONTACTED FOR THE LATEST REVISION.	MATERIAL 	FINISH 	APPLICATION SPEC 114-2157	WEIGHT	A3 00779 C-51863
					CUSTOMER DRAWING	SCALE NTS	SHEET 2 OF 2 REV AB