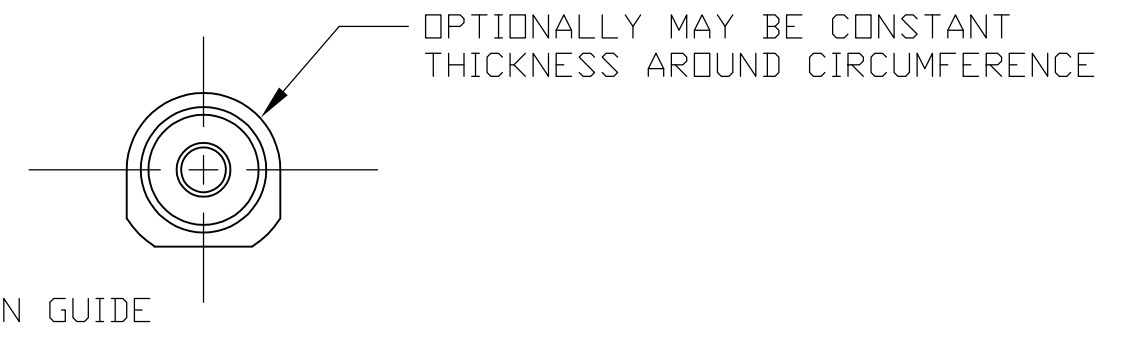
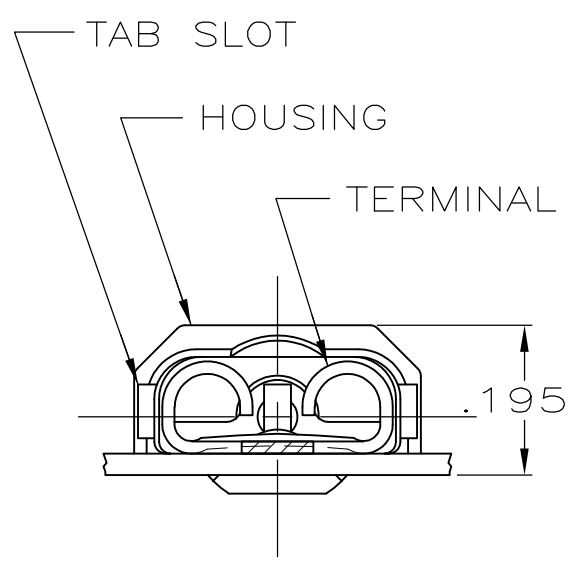
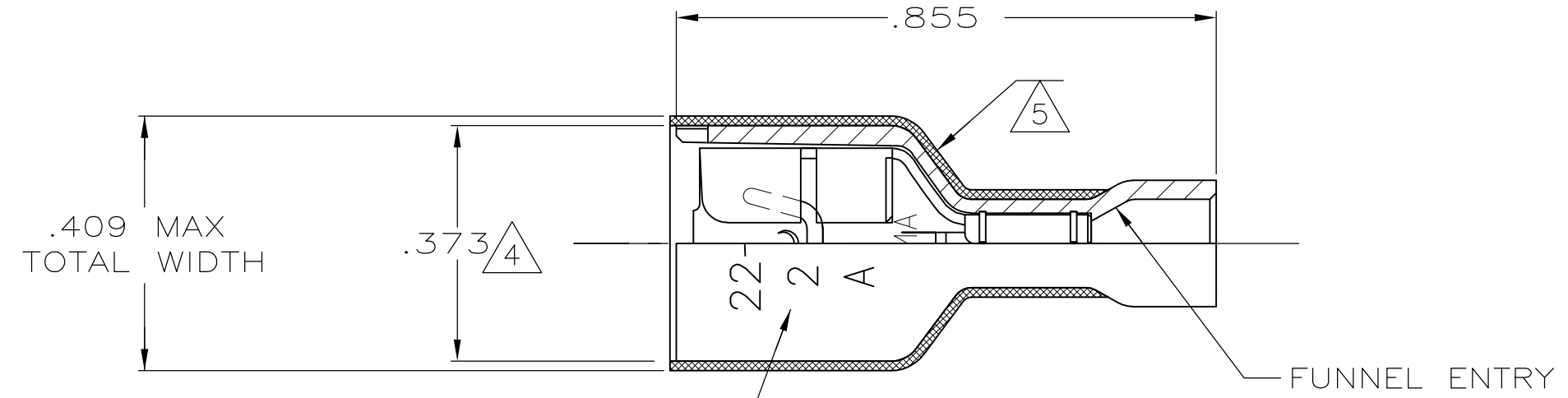


THIS DRAWING IS UNPUBLISHED. RELEASED FOR PUBLICATION  
 © COPYRIGHT - By - ALL RIGHTS RESERVED.

LOC	DIST	REVISIONS			
P	LTR	DESCRIPTION	DATE	DWN	APVD
AF	50	L1	REVISED PER ECO-15-008427	08JUN15	JR DH

- 1 MATES WITH .032±.001x.250 TAB
- 2 WIRE STRIP LENGTH .281
- 3 INSULATION SIZE .135 MAX DIA
- △4 DIMENSION DOES NOT INCLUDE TRIM BURR
- △5 .015 MAX CARRIER TRIM BURR PER SIDE IS ALLOWABLE IN THE SHADED AREA



HOUSING: NYLON, COLOR-RED TRANSLUCENT RECEPTACLE: #3 HARD PH BRONZE, TIN	2-520184-4
HOUSING: NYLON, COLOR-RED TRANSLUCENT RECEPTACLE: BRASS, TIN	2-520184-2
MATERIAL & FINISH	
PART NO	

THIS DRAWING IS A CONTROLLED DOCUMENT.		DWN P FORTNEY 10/18/88	TE Connectivity RECEPTACLE ASSY, ULTRA-FAST, LOOSE PIECE, .250 SERIES, 22-18 AWG	
DIMENSIONS: INCHES		CHK JR RUTH 10/18/88		
TOLERANCES UNLESS OTHERWISE SPECIFIED:		APVD K RANDOLPH 10/21/88		
0 PLC ± - 1 PLC ± - 2 PLC ± - 3 PLC ± .015 4 PLC ± - ANGLES ± -		NAME		
MATERIAL SEE TABLE		FINISH SEE TABLE	PRODUCT SPEC 108-2043	SIZE
			APPLICATION SPEC 114-2123	CAGE CODE
			WEIGHT -	DRAWING NO
			CUSTOMER DRAWING	RESTRICTED TO
				A3 00779 C-520184
			SCALE 4:1	SHEET 1 OF 1
				REV L1