

THIS DRAWING IS UNPUBLISHED. RELEASED FOR PUBLICATION
 © COPYRIGHT - BY TYCO ELECTRONICS CORPORATION. ALL RIGHTS RESERVED.

LOC EA	DIST 51	REVISIONS		
P	LTR	DESCRIPTION	DATE	DWN
	A	SEE SHEET 2	05JUN06	LGE
				APVD RP

- NOTES:**
- CONNECTOR KEYING CONFORMS TO ANSI X3T9.5/84-48.
 - LED IS "ON" WHEN IN INSERTED STATE.
 - THIS PRODUCT HAS NOT COMPLETED VALIDATION TESTING.

SPECIFICATIONS:

SWITCH LEGEND	
PI = PRIMARY IN	PTx = PRIMARY TRANSMIT
SO = SECONDARY OUT	STx = SECONDARY TRANSMIT
PO = PRIMARY OUT	PRx = PRIMARY RECEIVE
SI = SECONDARY IN	SRx = SECONDARY RECEIVE

FIBER TYPE
62.5/125/250

INSERTION LOSS

INSERTION LOSS DATA INCLUDES TWO CONNECTED PAIRS TESTED PER FOTP-34 METHOD A2

OPERATE MODE, POWER ON

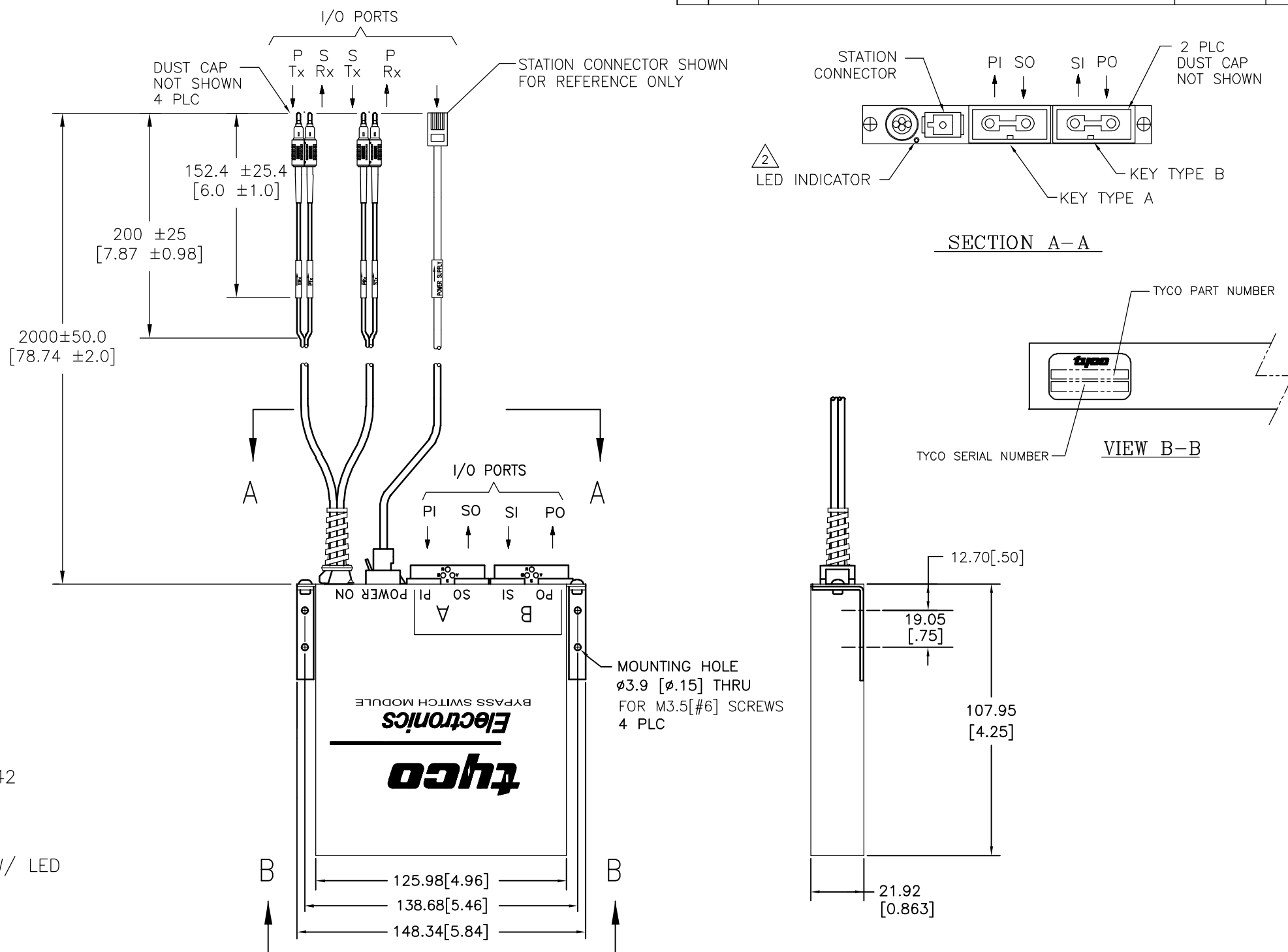
PI LINE TO PRX STATION	2.3 DB MAX
SI LINE TO SRX STATION	2.3 DB MAX
PTX STATION TO PO LINE	2.3 DB MAX
STX STATION TO SO LINE	2.3 DB MAX

BYPASS MODE, POWER OFF

PI LINE TO PO LINE	2.8 DB MAX
SI LINE TO SO LINE	2.8 DB MAX
PTX STATION TO PRX STATION	5.0 DB MAX
STX STATION TO SRX STATION	5.0 DB MAX

OPTICAL CROSSTALK </= -45 DB, PER FOTP-42
 OPERATING WAVE LENGTH 750 TO 1450nm
 TESTED WAVELENGTH 1300nm
 POWER REQUIREMENTS 4.0 TO 5.5 VDC

SWITCHING SPEED 190 MA MAX AT 5.0 VDC W/ LED
 10 MILLISECONDS MAX



KIT P/N	MODULE P/N	POWER CORD P/N	STATION CONNECTOR TYPE
5209166-3	5209662-4	5209503-2	6 POS. SHIELDED MOD PLUG
5209166-4	5209662-4	5209504-2	6 POS. SHIELDED MINI DIN
5209166-6	5209662-4	5209506-2	4 POS. MOD PLUG
5209166-8	5209662-4	5209659-2	6 MOD IV REC

THIS DRAWING IS A CONTROLLED DOCUMENT.

DIMENSIONS: mm [INCHES]	TOLERANCES UNLESS OTHERWISE SPECIFIED: 0 PLC ± - 1 PLC ± 0.5 [.02] 2 PLC ± 0.38 [.015] 3 PLC ± - 4 PLC ± - ANGLES ± 2'	DWN S. MONGOLD 11JAN06	 Tyco Electronics Corporation Harrisburg, PA 17105-3608
MATERIAL	FINISH	CHK R. PAUL 11JAN06	
		APVD F. ABENDSCHEIN 11JAN06	NAME
		PRODUCT SPEC	
		APPLICATION SPEC	
		WEIGHT	
		BYPASS SWITCH MODULE FSD MIC ADAPTOR/DUPLEX SC PIGTAIL	
		SIZE	RESTRICTED TO
		A3	
		CAGE CODE	
		00779	
		DRAWING NO	
		C=5209166	
		SCALE	
		1:1	
		SHEET	
		1 OF 2	
		REV	
		A	

CUSTOMER DRAWING

4

3


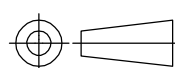
2

1

THIS DRAWING IS UNPUBLISHED. RELEASED FOR PUBLICATION
 © COPYRIGHT - BY TYCO ELECTRONICS CORPORATION. ALL RIGHTS RESERVED.

LOC	DIST	REVISIONS					
EA	51	P	LTR	DESCRIPTION	DATE	DWN	APVD
		-		SEE REVISION CHART	-	-	-

DATE	REVISION	CHANGES	REASON	APPROVAL
11JAN06	1	PRINT CREATED	-	RP
01MAR06	2	UPDATED PER BYPASS SWITCH KIT EXAMPLE PRINT	-	RP
05JUN06	A	CHANGE STATUS TO ACTIVE	-	RP

THIS DRAWING IS A CONTROLLED DOCUMENT.		DWN S. MONGOLD 11JAN06	 Tyco Electronics Corporation Harrisburg, PA 17105-3608	
DIMENSIONS: mm [INCHES]		CHK R. PAUL 11JAN06		
TOLERANCES UNLESS OTHERWISE SPECIFIED:		APVD F. ABENDSCHEIN 11JAN06	NAME	
 0 PLC ± - 1 PLC ± - 2 PLC ± - 3 PLC ± - 4 PLC ± - ANGLES ± 2'		PRODUCT SPEC	BYPASS SWITCH MODULE	
MATERIAL		APPLICATION SPEC	FSD MIC ADAPTOR/DUPLEX SC PIGTAIL	
FINISH		WEIGHT	SIZE	RESTRICTED TO
		-	A3	-
		CUSTOMER DRAWING	CAGE CODE	DRAWING NO
			00779	5209166
		SCALE	SHEET	REV
		1:1	2 OF 2	A