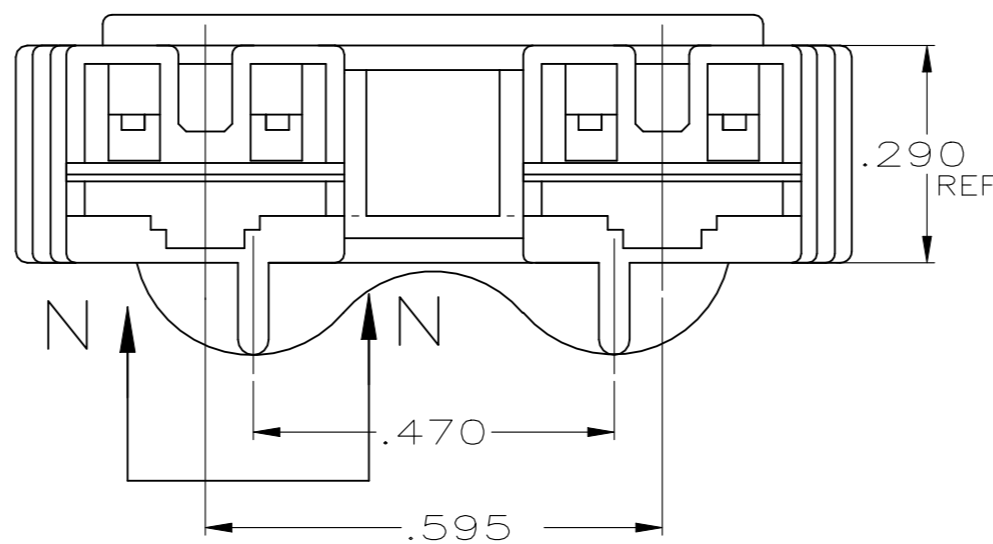
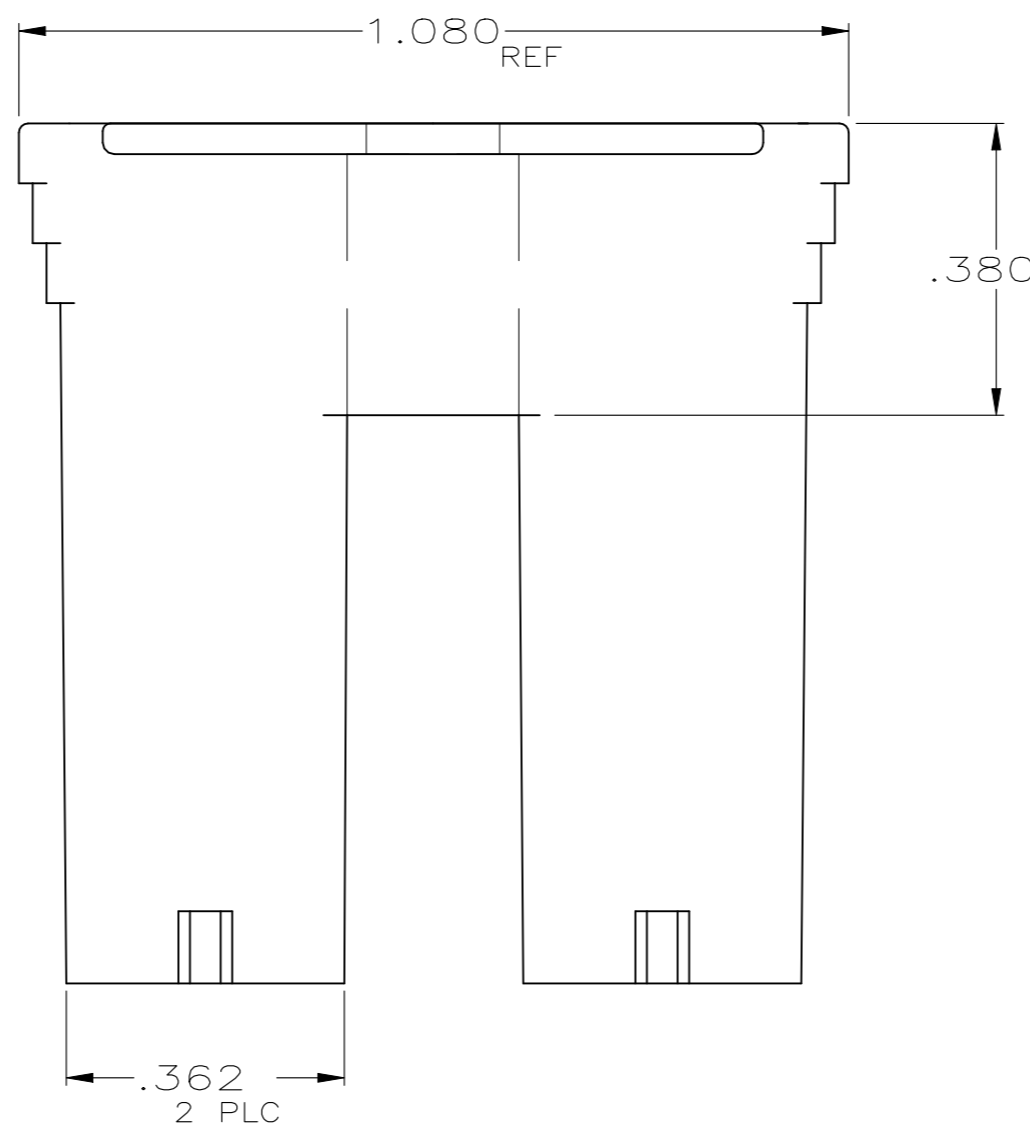
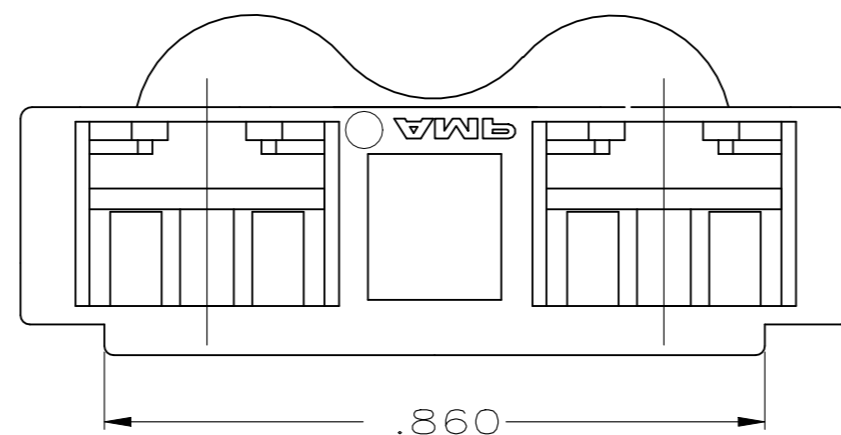
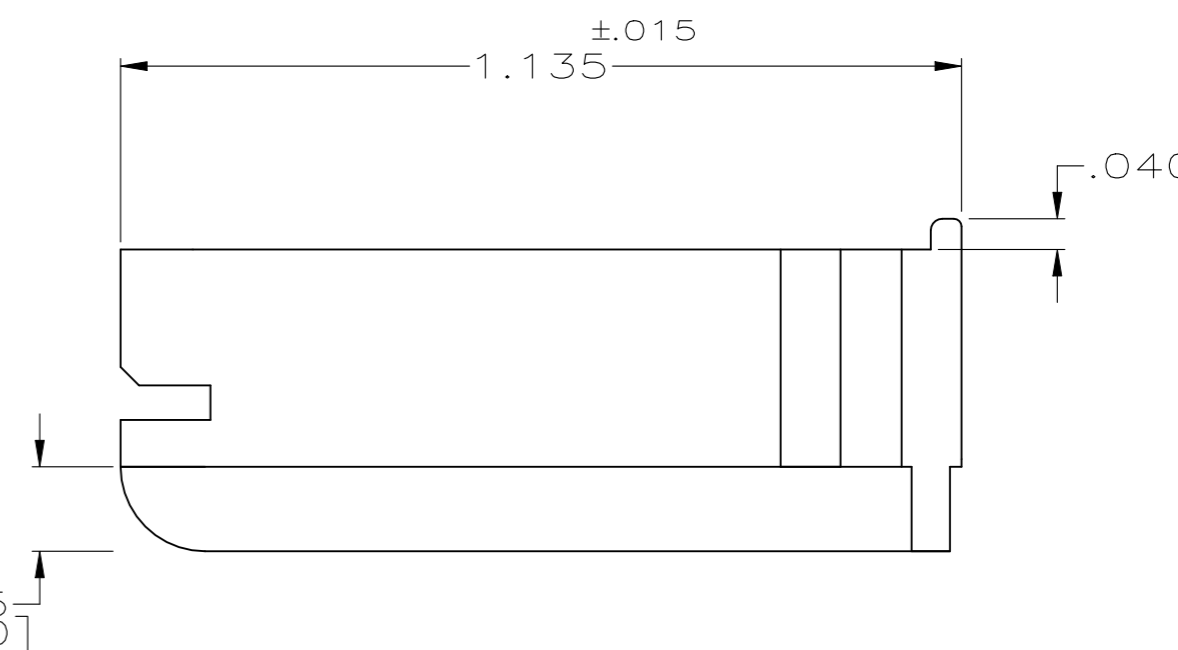


REVISIONS				
P	LTR	DESCRIPTION	DATE	APVD
V		REVISED PER ECR-23-173364	25MAY2023	SS AF

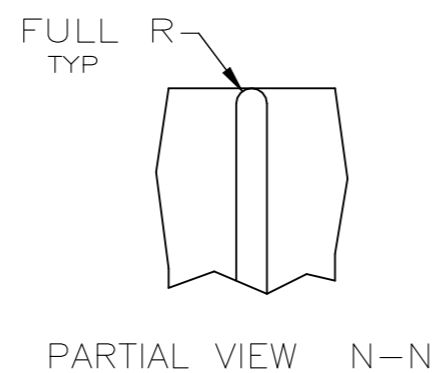


- 1 GLOW WIRE APPROVED; CONTACT TE ENGINEERING FOR SPECIFICATION
- 2 ALL WALL THICKNESSES ARE BETWEEN .016 INCH (0.4MM) AND .118 INCH (3.0MM)



SUPERSEDED BY 2-521229-2
 SUPERSEDED BY 2-521229-1

NOTES	COLOR	MATERIAL	PART NO
1	RED	66 NYLON V0, GWT RED	2-521229-2
1	NATURAL	66 NYLON V0, GWT NATURAL	2-521229-1
1	RED	NYLON 6, UL94-V2	1-521229-2
1	NATURAL	NYLON 6, UL94-V2	1-521229-1
	RED	NYLON 66/6, UL94-V0	521229-2
	NATURAL	NYLON 66/6, UL94-V0	521229-1



THIS DRAWING IS A CONTROLLED DOCUMENT.

DWN	JR RUTH	05NOV99		TE Connectivity HOUSING, RECEPTACLE, FASTON, POSITIVE-LOCK MK II, .250 SERIES
CHK	M FEHER	05NOV99		
APVD	D BRATINA	05NOV99		
PRODUCT SPEC				
APPLICATION SPEC	114-2074		SIZE	A2
MATERIAL	SEE TABLE	FINISH	WEIGHT	-
			CAGE CODE	00779
			DRAWING NO	C=521229
			RESTRICTED TO	-
			SCALE	4:1
			SHEET	1 of 1
			REV	W