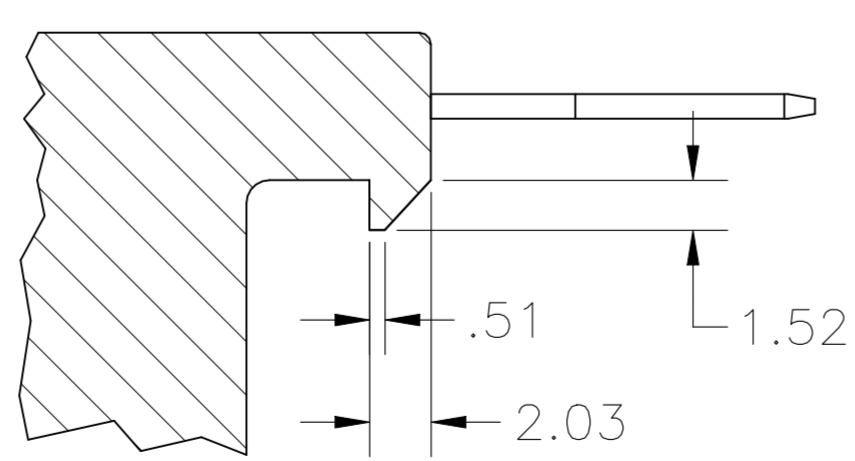
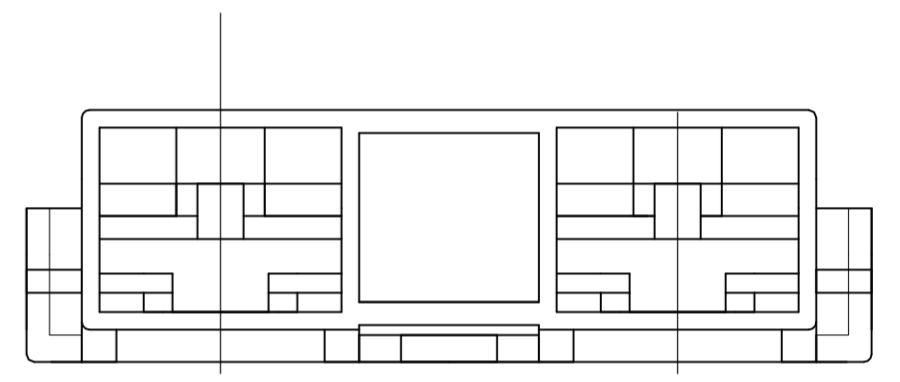
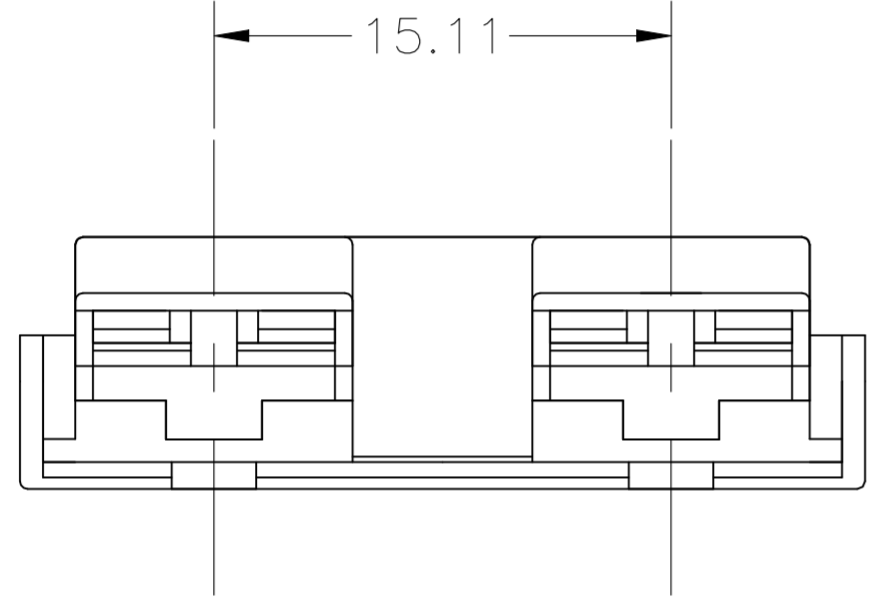
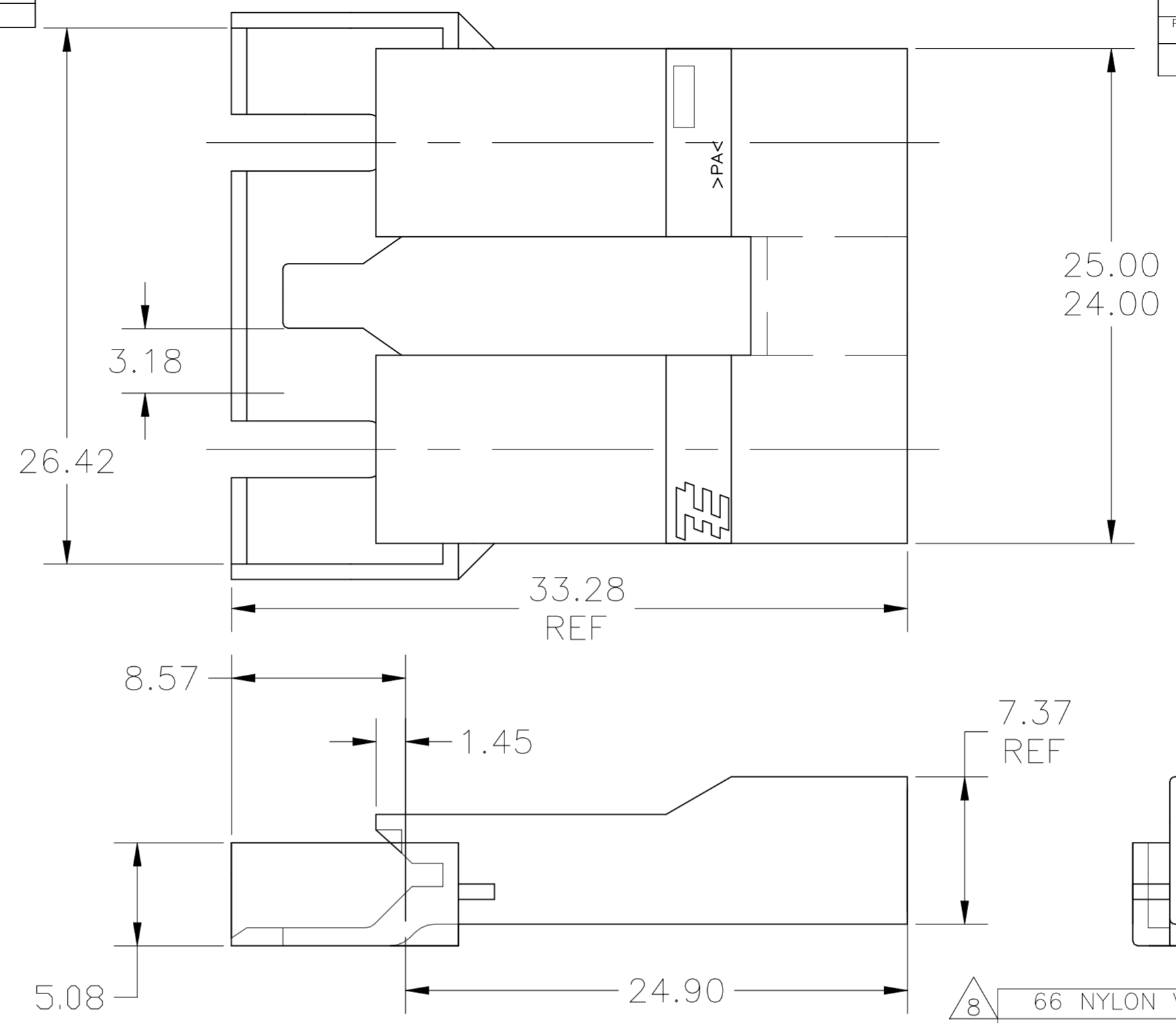


THIS DRAWING IS UNPUBLISHED. RELEASED FOR PUBLICATION
 © COPYRIGHT - - ALL RIGHTS RESERVED.

REVISIONS					
P	LTR	DESCRIPTION	DATE	DWN	APVD
	U	REVISED PER ECR-24-204274	29APR2024	DK	RE



PROPOSED MATING LOCKING DESIGN

8	66 NYLON V0 BLUE	BLUE	5-521253-1
	66 NYLON V0 NATURAL	NATURAL	4-521253-8
7	66/6 V0 RED	RED	4-521253-2
	66/6 V0 NATURAL	NATURAL	4-521253-1
	6 NYLON, V2	RED	3-521253-2 4
	66 NYLON V0	BLUE	3-521253-7 6
	6/6 NYLON, V0	PURPLE	3-521253-6 5
	6 NYLON, V2	NATURAL	2-521253-1 3
		BLUE	1-521253-7
		PURPLE	1-521253-6
		YELLOW	1-521253-4
		GREEN	1-521253-3
		RED	1-521253-2
		NATURAL	1-521253-1
		BLUE	521253-7
		PURPLE	521253-6
		BROWN	521253-5
		YELLOW	521253-4
		GREEN	521253-3
		RED	521253-2
		NATURAL	521253-1
	MATERIAL	FINISH/COLOR	PART NO

- 1 THIS HOUSING ACCEPTS LOW-INSERTION, PREMIER RECEPTACLE 63306, OR POSITIVE-LOCK MKIII RECEPTACLE 63854-1.
- 2 TO MAINTAIN PROPER TERMINAL INSERTION FORCE INTO HOUSING, HOUSINGS MUST BE KEPT IN THEIR MOISTURIZED CONDITION (AS RECEIVED) PRIOR TO ASSEMBLY.
- 3 MOLDED WITH GLOW-WIRE APPROVED MATERIAL
- 4 PRELIMINARY - NOT FOR PRODUCTION
- 5 OFFERED FOR CONSIDERATION IN APPLICATIONS REQUIRING 'NON-DRIP' HOUSING MATERIAL.
- 6 BLUE PARTS MAY APPEAR MEDIUM BLUE TO LIGHT BLUE TO LIGHT GRAY IN COLOR AND MAY ALSO EXHIBIT A MARBLING EFFECT
- 7 NOT FOR PRODUCTION: AGENCY APPROVAL IS PENDING.
- 8 PARTS MAY APPEAR MEDIUM COLORED TO LIGHT COLORED AND EXHIBIT A MARBLING EFFECT.

SUPERSEDED BY 5-521253-1
 SUPERSEDED BY 4-521253-8

OBSOLETE

OBSOLETE

THIS DRAWING IS A CONTROLLED DOCUMENT.

DWN	JR RUTH	05JAN00
CHK	MS FEHER	05JAN00
APVD	D BRATINA	05JAN00
PRODUCT SPEC		
APPLICATION SPEC		
WEIGHT	-	
CUSTOMER DRAWING		

TE Connectivity
 HOUSING, RECEPTACLE, FASTON OR POSITIVE-LOCK, 6.35 [.250] SERIES

SCALE: 4:1 SHEET: 1 OF 1 REV: U