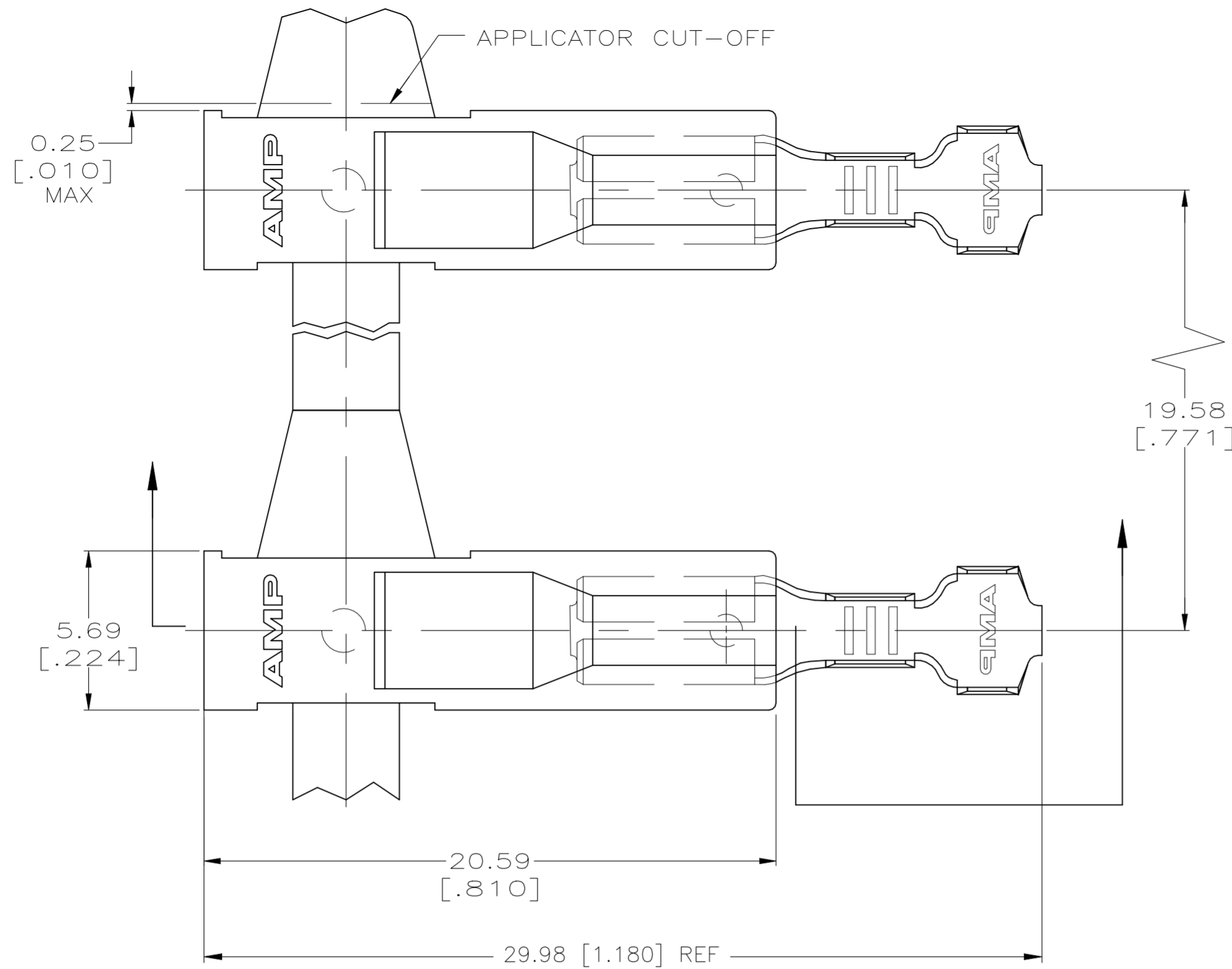
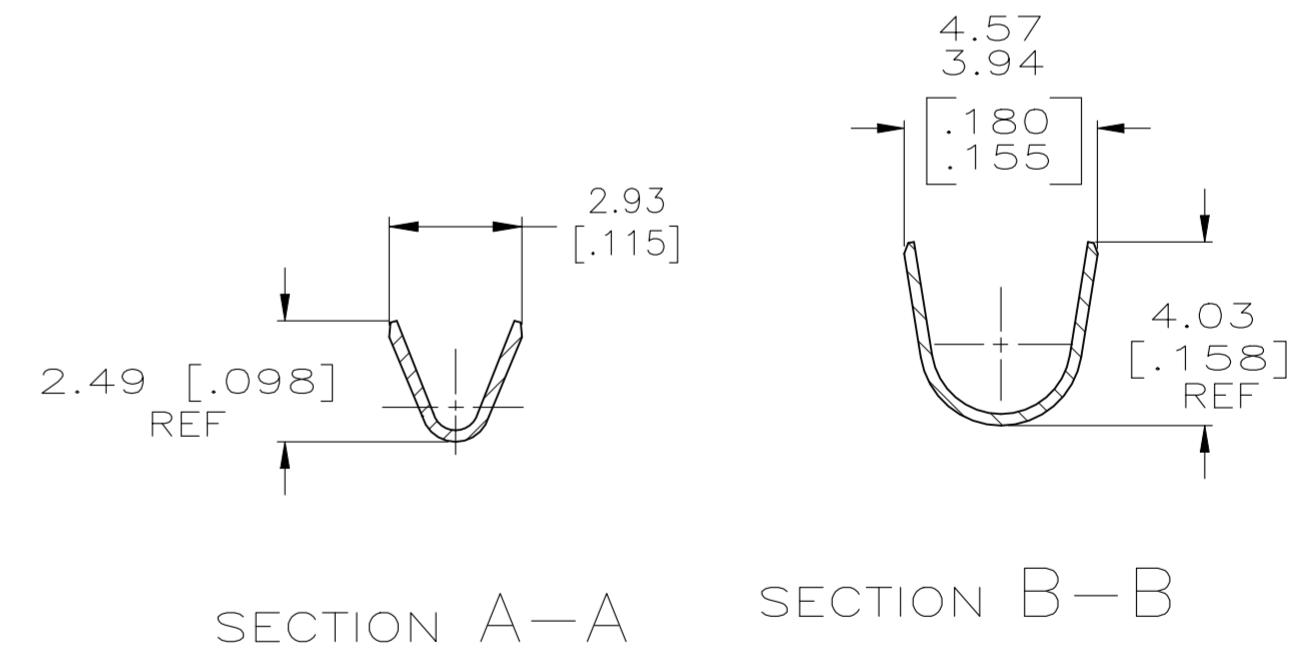
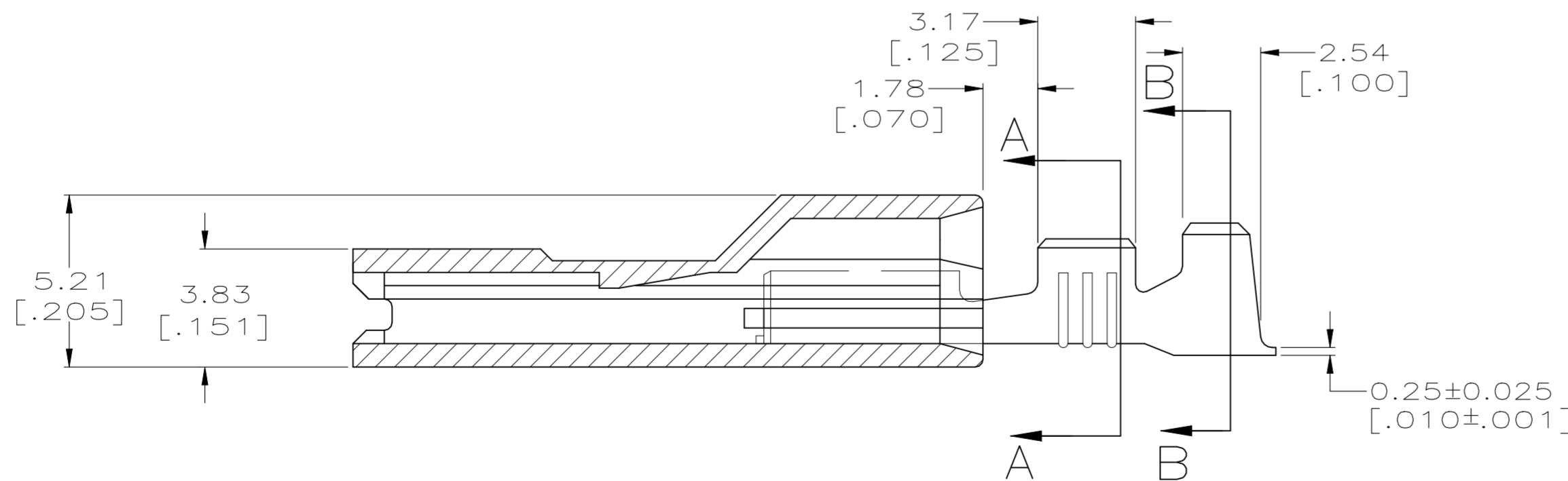


REVISIONS					
P	LTR	DESCRIPTION	DATE	DWN	APVD
F2		REVISED PER ECR-22-160893	15DEC2022	DB	BW



- 1 MATING TAB THK IS 0.81±0.025[.032±.001]
- 2 WIRE SIZE IS [#22-#18] AWG.
- 3 INSULATION RANGE IS 2.03-3.05[.080-.120] DIA.
- 4 PREPRODUCTION - FASR REQ



SUPERSEDED BY 521437-2

TIN PLATE		521437-2	
TERMINAL FINISH		PART NO.	
		4 521437-1	
<b>TE</b> TE Connectivity			
ASSEMBLY, RECEPTACLE, ULTRA-POD, 2.79 [.110] SERIES			
SIZE	CAGE CODE	DRAWING NO	RESTRICTED TO
A2	00779	C=521437	-
CUSTOMER DRAWING		SCALE	SHEET
		6:1	1 OF 1
		REV	F2

THIS DRAWING IS A CONTROLLED DOCUMENT.		DWN	22OCT01
DIMENSIONS:		CHK	22OCT01
mm [INCHES]	TOLERANCES UNLESS OTHERWISE SPECIFIED:	APVD	22OCT01
	0 PLC ± -	NAME	
	1 PLC ± -	108-1285	
	2 PLC ± 0.25 [.010]	APPLICATION SPEC	
	3 PLC ± -	114-2124	
	4 PLC ± -	WEIGHT	0.000000
	ANGLES ± -	CUSTOMER DRAWING	
MATERIAL	FINISH		
TERM - BRASS	SEE TABLE		
HSG - 6/6 NYLON, V0	HSG - WHITE		

521437

A