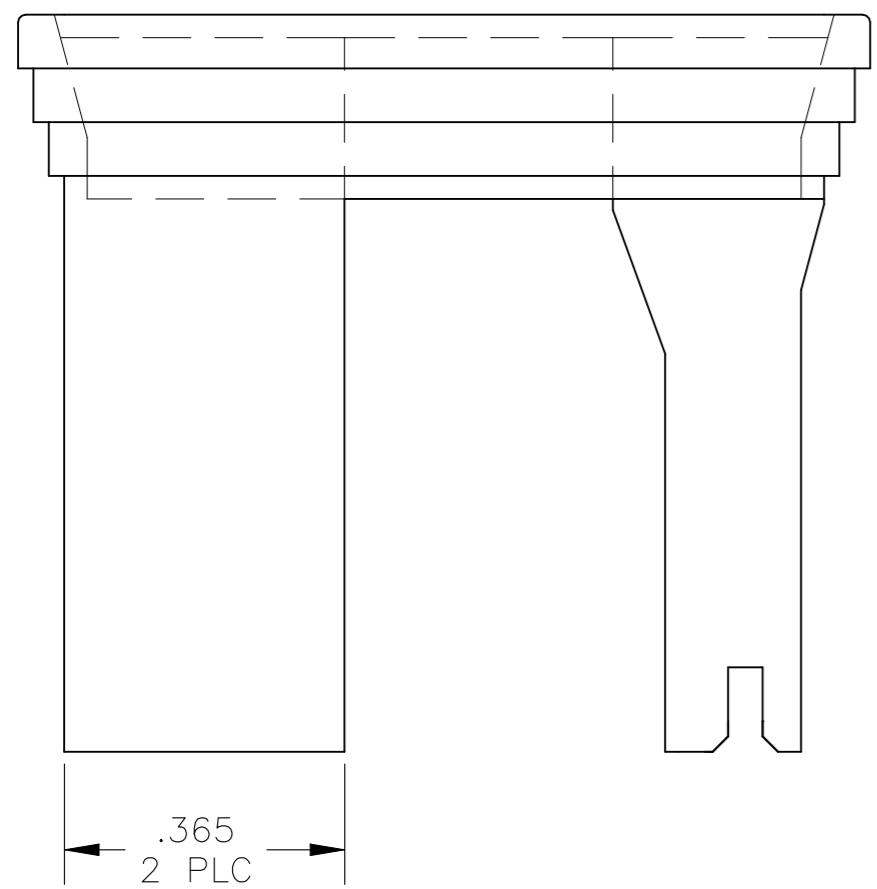
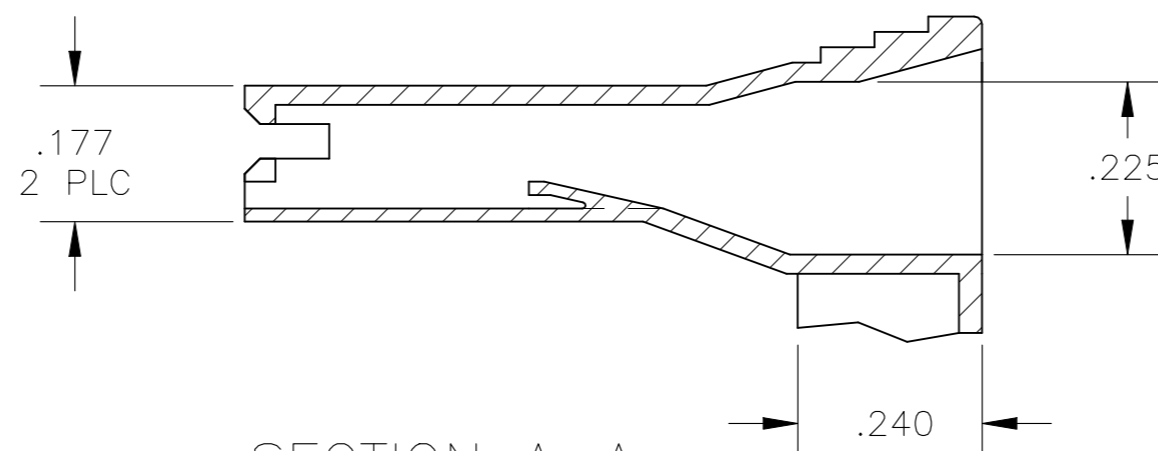
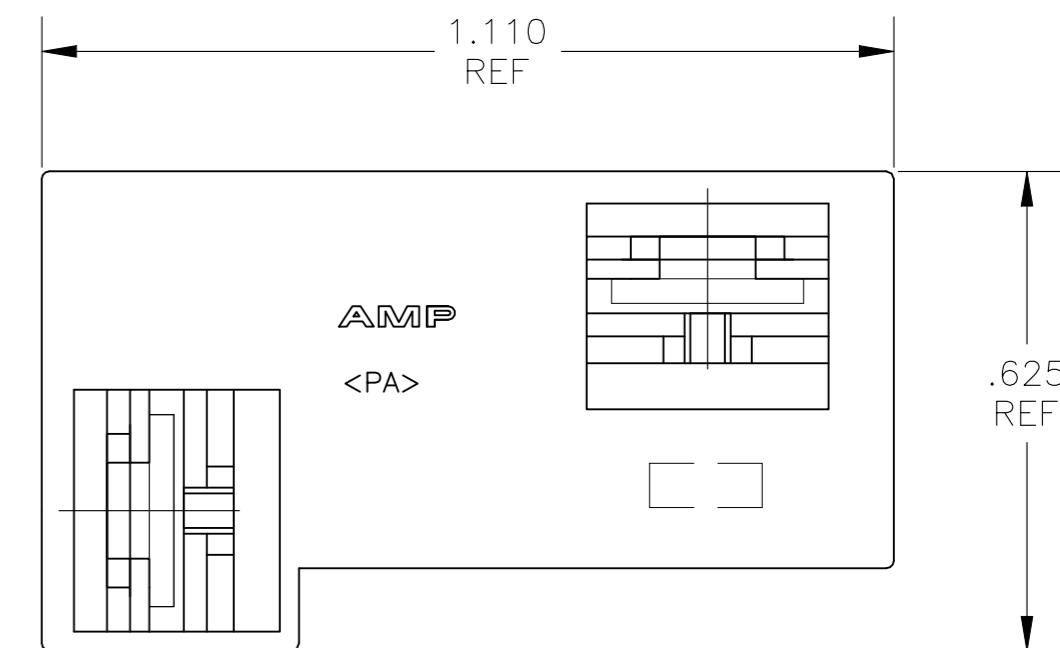
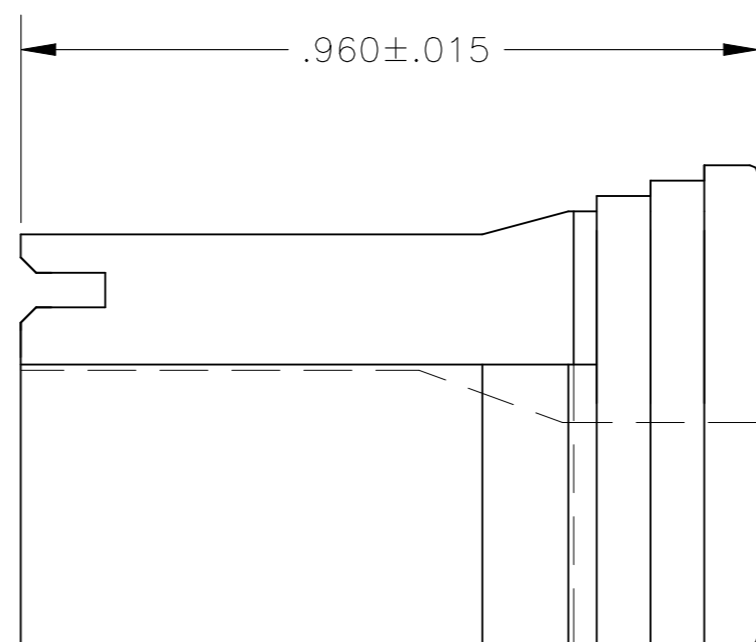
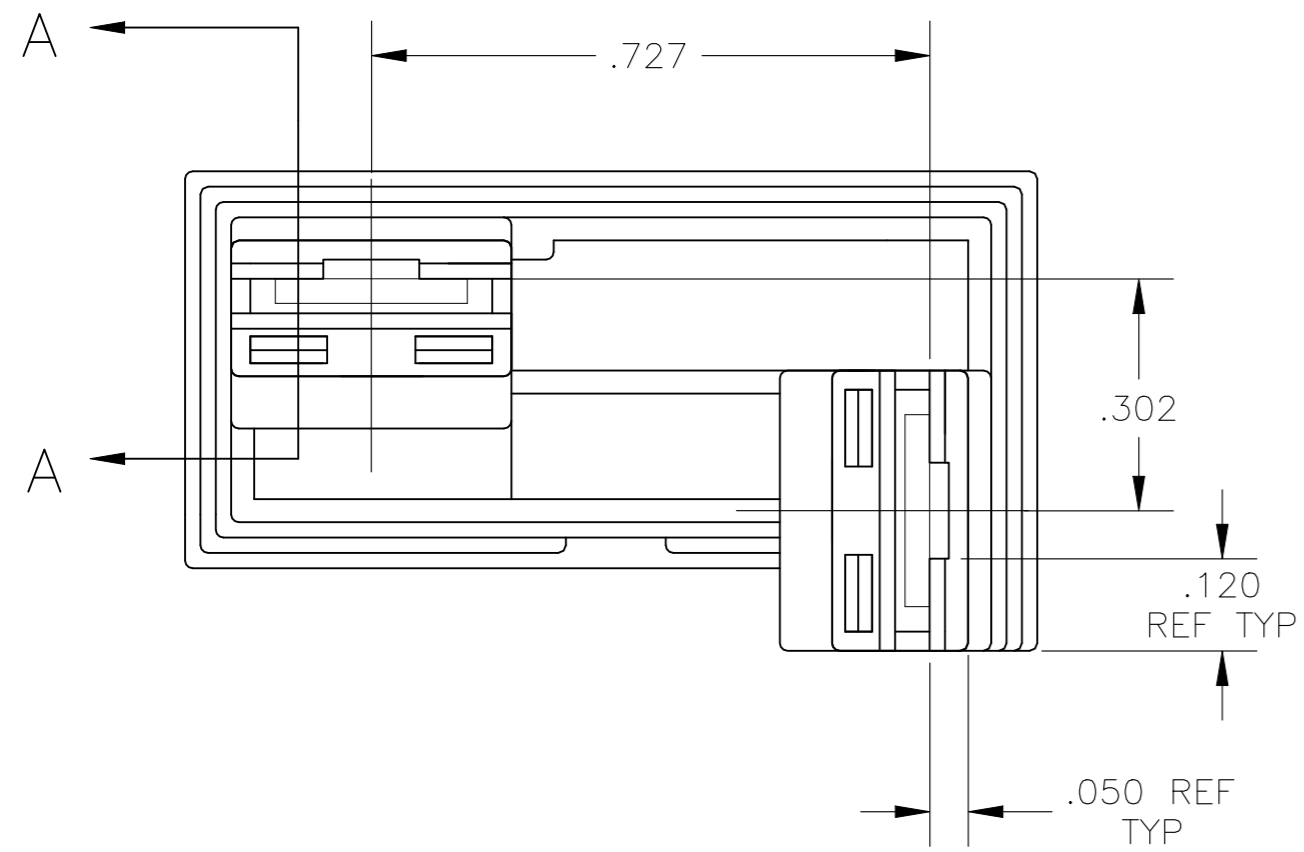


THIS DRAWING IS UNPUBLISHED. RELEASED FOR PUBLICATION
 © COPYRIGHT - By - ALL RIGHTS RESERVED.

REVISIONS					
P	LTR	DESCRIPTION	DATE	DWN	APVD
E1		REVISED PER ECR-22-156480	04NOV2022	DB	ES



- 1 ACCEPTS .250 SERIES FASTON RECEPTACLE 63435-1 OR 63306-1.
- 2 FOR PROPER MATING, THE MATING TAB MUST BE A MIN. OF .375 LONG.
- 3 MATING TAB CENTERLINES MUST BE VERIFIED BY CUSTOMER.
- 4 MATERIAL: POLYIMIDE UL94, V2. ACCORDING TO IEC 60355-1, GLOW WIRE.
- 5 OBSOLETE PARTS



5 SUPERSEDED	NATURAL	PA66-V0 GW	1-521785-1
	BLACK	PA66-V0	521785-4
	NATURAL	PA66-V0	521785-3
	NATURAL	66 NYLON, V0	521785-1
	COLOR	MATERIAL	PART NO

THIS DRAWING IS A CONTROLLED DOCUMENT.		DWN jr ruth 09FEB05	TE Connectivity Ltd.																			
DIMENSIONS: INCHES		CHK P DESANTIS 09FEB05																				
TOLERANCES UNLESS OTHERWISE SPECIFIED:		APVD P DESANTIS 09FEB05																				
<table border="1"> <tr><td>0 PLC</td><td>±</td><td>-</td></tr> <tr><td>1 PLC</td><td>±</td><td>-</td></tr> <tr><td>2 PLC</td><td>±</td><td>-</td></tr> <tr><td>3 PLC</td><td>±</td><td>.010</td></tr> <tr><td>4 PLC</td><td>±</td><td>-</td></tr> <tr><td>ANGLES</td><td></td><td>± 5°</td></tr> </table>		0 PLC	±	-	1 PLC	±	-	2 PLC	±	-	3 PLC	±	.010	4 PLC	±	-	ANGLES		± 5°	PRODUCT SPEC	NAME HOUSING, RECEPTACLE, FASTON, 2 POSITION, .250 SERIES	
0 PLC	±	-																				
1 PLC	±	-																				
2 PLC	±	-																				
3 PLC	±	.010																				
4 PLC	±	-																				
ANGLES		± 5°																				
MATERIAL SEE TABLE		FINISH COLOR - SEE TABLE	APPLICATION SPEC	RESTRICTED TO																		
		WEIGHT	SIZE A2	CAGE CODE 00779																		
		CUSTOMER DRAWING	DRAWING NO C=521785	SCALE 4:1																		
			SHEET 1 OF 1	REV E1																		