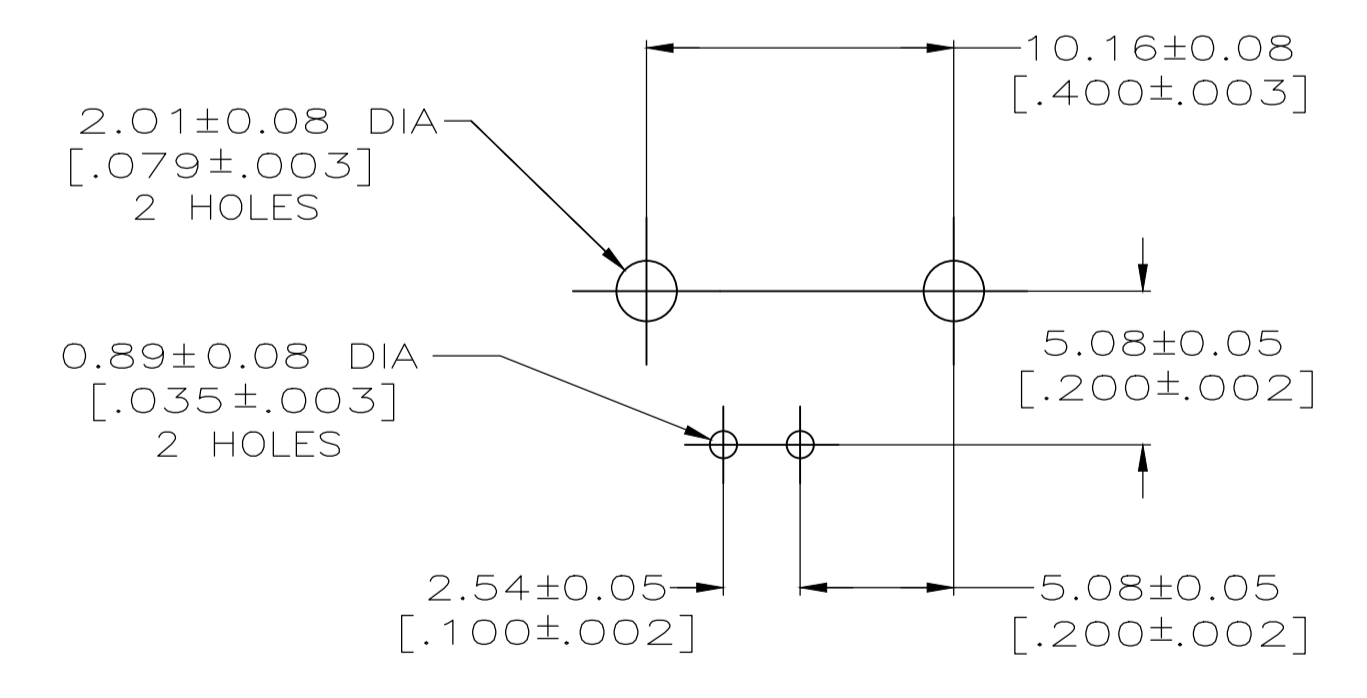
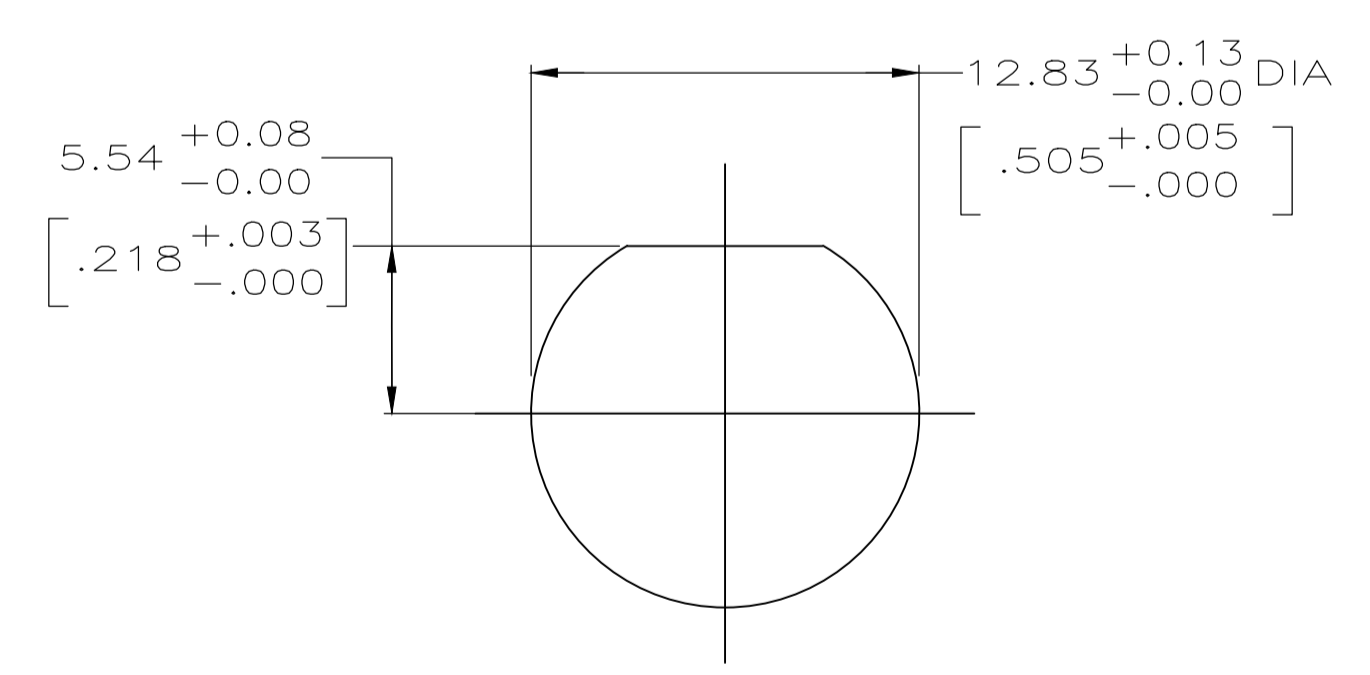
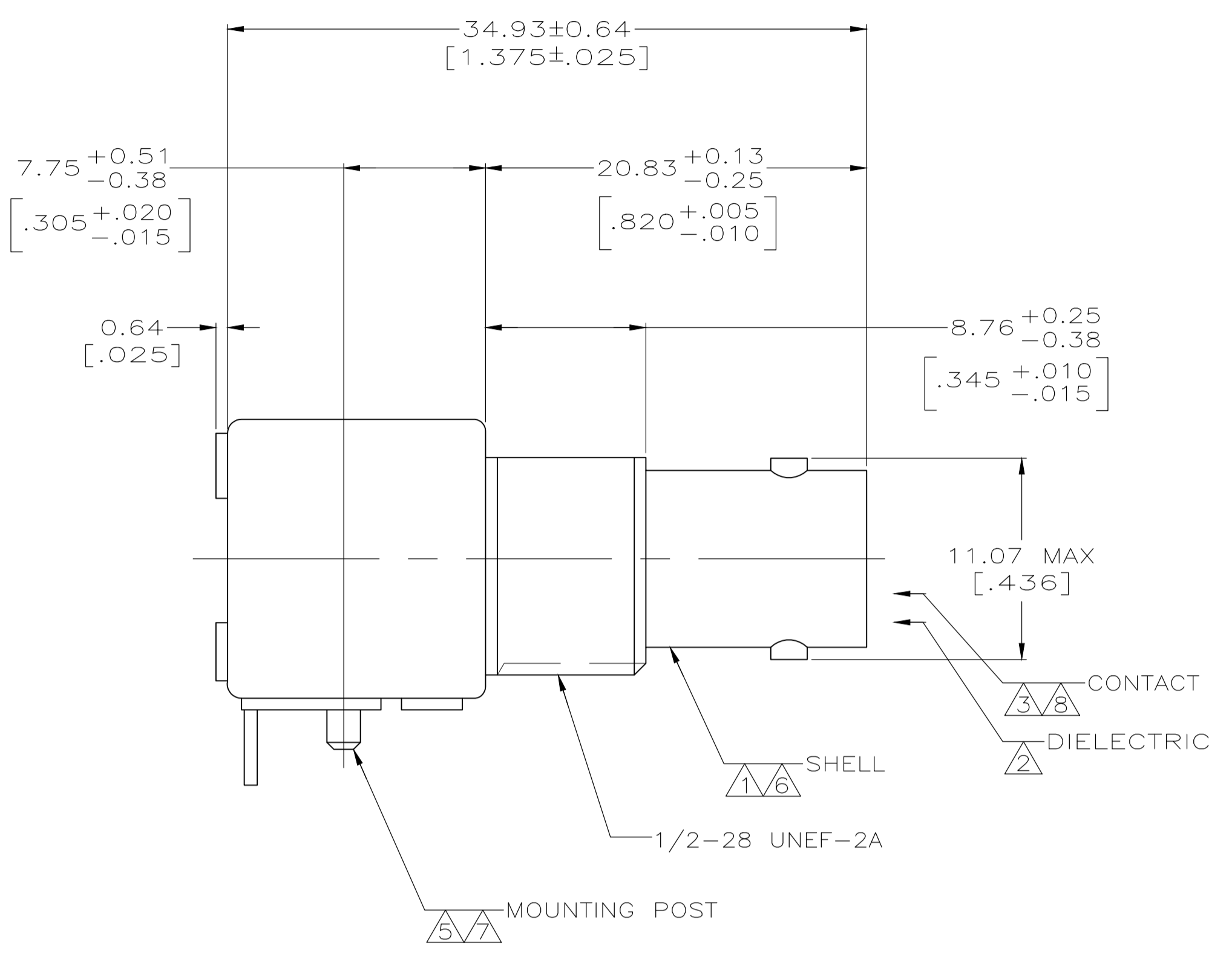
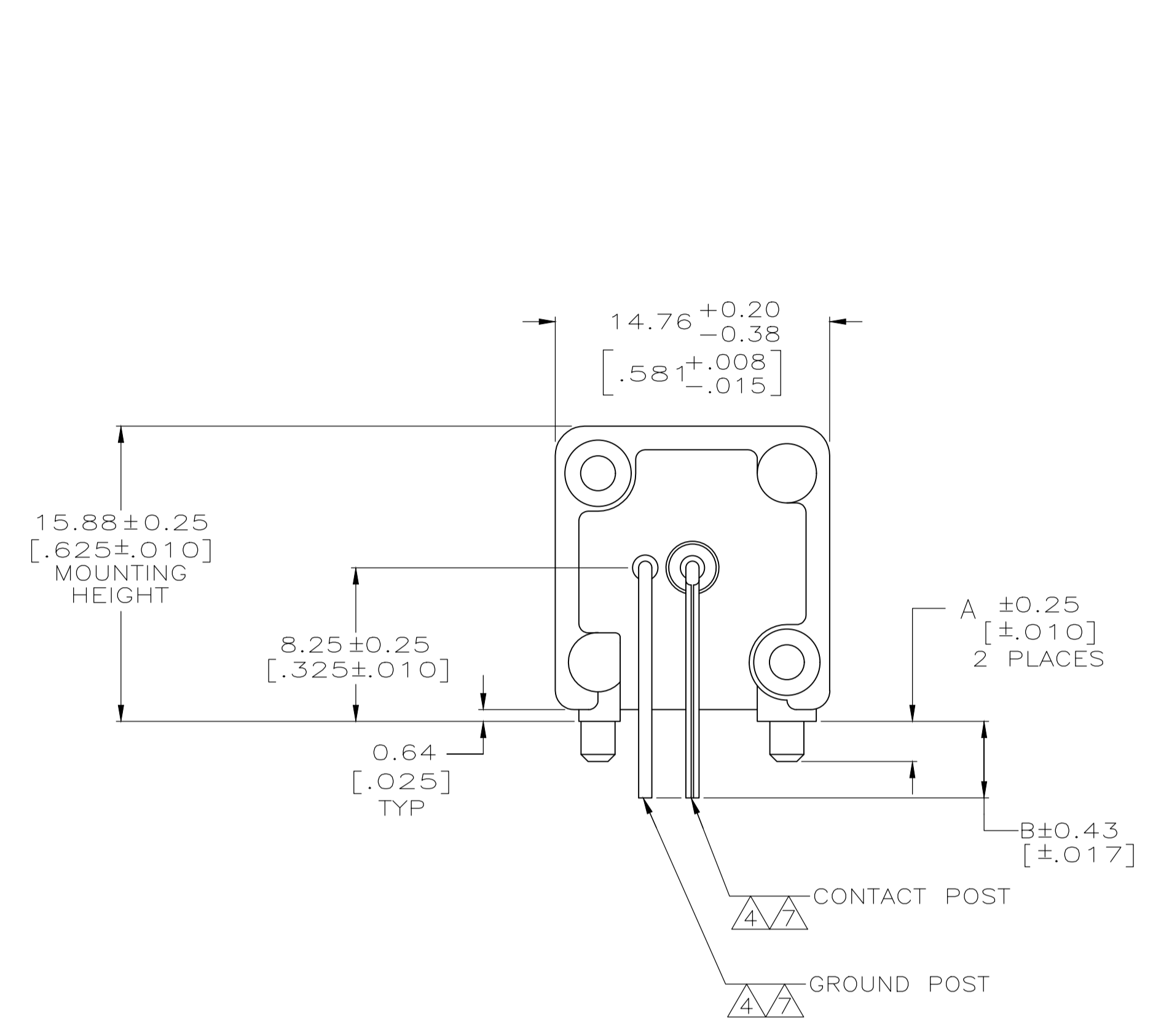


REVISIONS					
P	LTR	DESCRIPTION	DATE	DMN	APVD
A2		REVISED PER ECO-16-004550	19JAN2020	RZ	RS

- 1 ZINC PER QQ-Z-363.
- 2 POLYMETHYLPENTENE, GENERAL PURPOSE.
- 3 BERYLLIUM COPPER PER QQ-C-530.
- 4 BRASS PER ASTM-B-453.
- 5 BRASS PER ASTM-B-16.
- 6 NICKEL PLATE PER QQ-N-290, 3.81 μm [.000150] MINIMUM THICK.
- 7 TIN PLATE PER ASTM-B-545, 3.81 μm [.000150] MINIMUM THICK.
- 8 GOLD PLATE PER MIL-G-45204, 0.20 μm [.000008] MINIMUM THICK.
- 9. SEE INSTRUCTION SHEET 408-2769.



4.11 [.162]	3.48 [.137]	5222092-3
4.11 [.162]	2.16 [.085]	5222092-1
B	A	PART NUMBER

THIS DRAWING IS A CONTROLLED DOCUMENT.

DIMENSIONS: mm (INCHES)	TOLERANCES UNLESS OTHERWISE SPECIFIED:	DIN J. ALCORTA - 21APR2005 CHK - J. HAVENER 21APR2005 APVD - J. LIPPERT 21APR2005	NAME
0 PLC ± -	1 PLC ± -	2 PLC ± -	3 PLC ± 0.20 [.008]
4 PLC ± -	ANGLES ± -	PRODUCT SPEC	
MATERIAL SEE NOTES 1-5		FINISH SEE NOTES 6-8	APPLICATION SPEC
WEIGHT 0.000000		SIZE A1	CAGE CODE DRAWING NO. 00779
CUSTOMER DRAWING		SCALE 4:1	SHEET 1 OF 1 REV A2

STE TE Connectivity
JACK, RIGHT ANGLE, PCB
75 OHM, SERIES BNC