
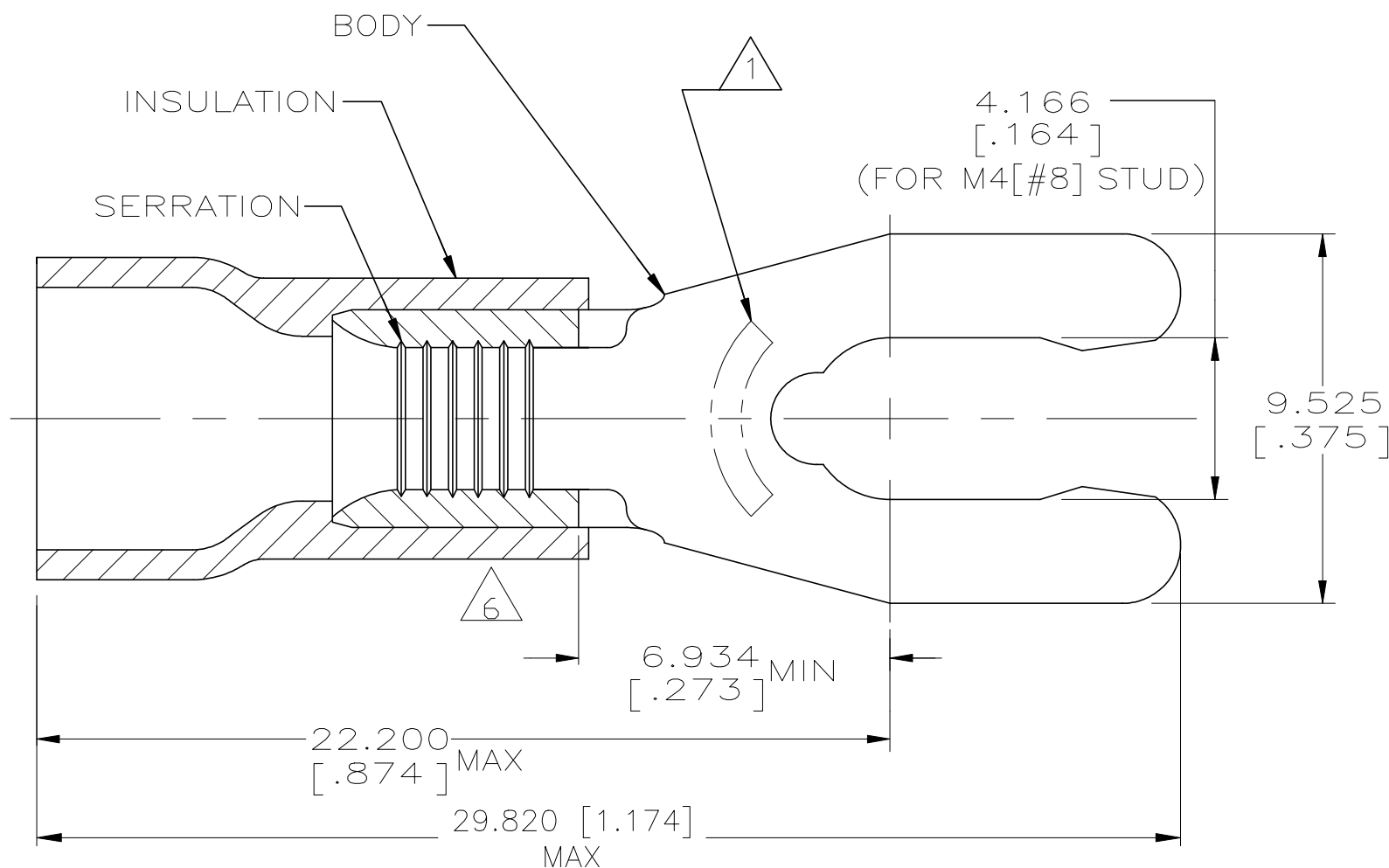



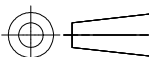
P	LTR	DESCRIPTION	DATE	DWN	APVD
P		REVISED PER ECR-23-163311	09MAR2023	BB	DSC

<b>AMP</b> WIRE RANGE	 Listed FILE E13288
12-10 AWG SOLID OR STRANDED	12 AWG STRANDED



- ① STAMP 8S AMP 12-10\*APPROX AS SHOWN
- 2. WIRE INSULATION DIAMETER:  
ø2.667[.105] TO ø5.080[.200]
- 3. BODY MATERIAL THK: 1.016±0.051[.040±.002]
- ④ MATERIAL: BODY - BRASS PER ASTM B36  
INSULATION - PVC,
- ⑤ FINISH:  
BODY - TIN PLATE 0.00254[.000100]  
MIN EXT THK PER ASM B545  
INSUALTION COLOR - YELLOW
- ⑥ APPLIES FROM EDGE OF METAL WIRE BARREL TO  
CENTER OF STUD HOLE

2500	ON TAPE, REEL	52474-1
500	LOOSE PIECE	52474
QTY	PACKAGE TYPE	PART NO

<b>AMP INCORPORATED</b> <b>CUSTOMER SERVICE SYSTEMS</b>		MAX RECOMMENDED OPERATING TEMPERATURE: 105°C [221°F]		THIS DRAWING IS A CONTROLLED DOCUMENT.		DWN L OLMEDA 26JUN95 CHK M ELLIS 26JUN95 APVD G NGO 26JUN95		 TE Connectivity	
		VOLTAGE RATING: 600V MAX (1000V FIXTURE OR SIGN)		DIMENSIONS: mm [INCHES]		TOLERANCES UNLESS OTHERWISE SPECIFIED: 0 PLC ± - 1 PLC ± - 2 PLC ± - 3 PLC ± 0.127[.005] 4 PLC ± - ANGLES ± -			
FOR ADDITIONAL PRODUCT INFORMATION OR COPIES OF DRAWINGS AND TECHNICAL DOCUMENTS PRODUCT INFORMATION CENTER 1-800-522-6752		CIRCULAR MIL AREA: 2.62-6.64mm² [5,180-13,100] SOLID OR STRANDED				PRODUCT SPEC UL 486A-B		SIZE CAGE CODE DRAWING NO RESTRICTED TO A3 00779 C-52474 -	
FOR APPLICATION TOOLING INFORMATION TOOLING ASSISTANCE CENTER 1-800-722-1111		THIS DRAWING IS A CONTROLLED DOCUMENT FOR AMP INCORPORATED. IT IS SUBJECT TO CHANGE AND THE CONTROLLING ENGINEERING ORGANIZATION SHOULD BE CONTACTED FOR THE LATEST REVISION.		MATERIAL ④		FINISH ⑤		APPLICATION SPEC 114-2161	
FOR ORDER ENTRY 1-800-526-5142						WEIGHT -		CUSTOMER DRAWING SCALE 6:1 SHEET 1 of 1 REV P	