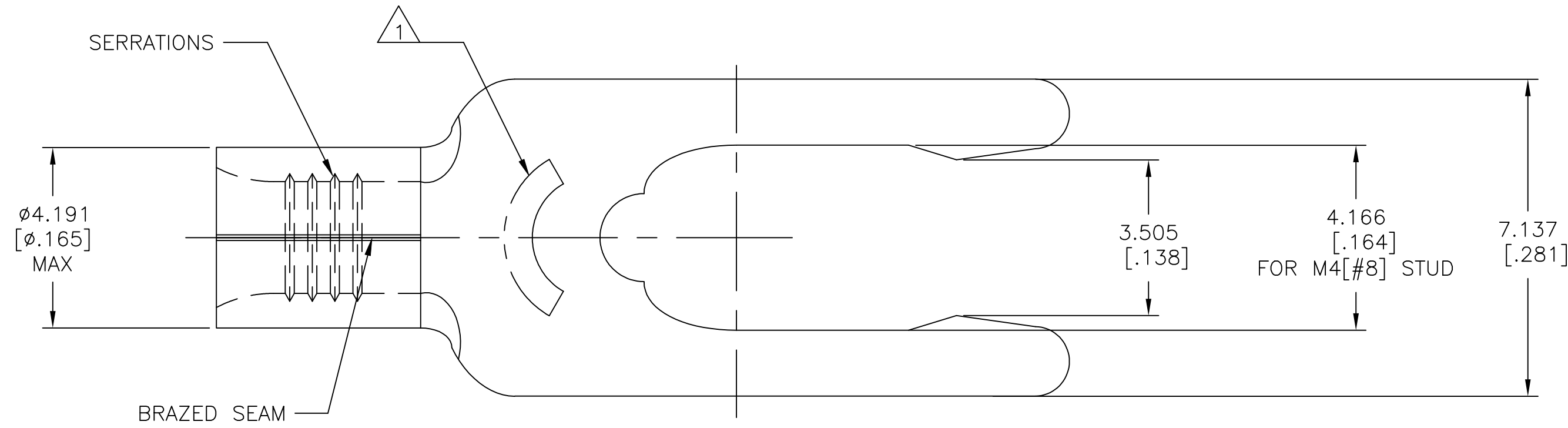


THIS DRAWING IS UNPUBLISHED. RELEASED FOR PUBLICATION
 © COPYRIGHT - TE Connectivity Ltd. ALL RIGHTS RESERVED.

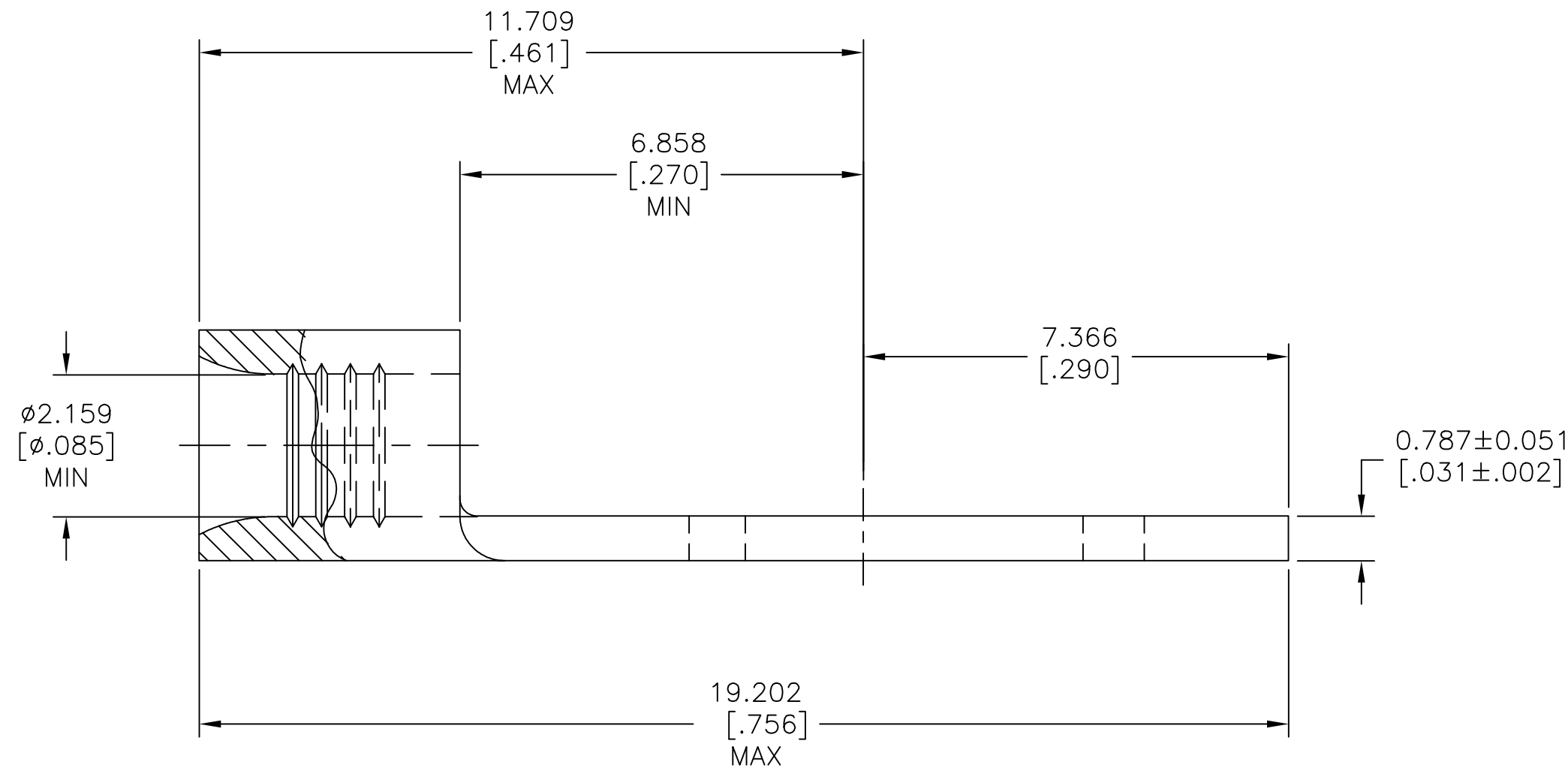
REVISIONS					
P	LTR	DESCRIPTION	DATE	DWN	APVD
E1		PER ECR 06-008040	17APR06	-	JR
E2		REVISED PER ECO-17-008808	05MAR2018	RS	DR



AMP WIRE RANGE	E13288 Listed
16-14 AWG SOLID OR STRANDED	16-14 AWG SOLID OR STRANDED
LR7189 Certified	MILITARY P/N AND CLASS
16-14 AWG SOLID OR STRANDED	NOT APPLICABLE

1 STAMP 8S AMP 16-14* APPROX AS SHOWN
8S INDICATES STUD SIZE

2 NOTE DELETED



AMP INCORPORATED CUSTOMER SERVICE SYSTEMS	
FOR ADDITIONAL PRODUCT INFORMATION OR COPIES OF DRAWINGS AND TECHNICAL DOCUMENTS	PRODUCT INFORMATION CENTER 1-800-522-6752
FOR APPLICATION TOOLING INFORMATION	TOOLING ASSISTANCE CENTER 1-800-722-1111
FOR ORDER ENTRY	1-800-526-5142
MAX RECOMMENDED OPERATING TEMPERATURE: 170°C [338°F] MAX	
VOLTAGE RATING: NOT APPLICABLE	
WIRE CROSS SECTIONAL AREA RANGE, 1.04-2.62mm² [2,050-5,180] CIR MILS SOLID OR STRANDED	

THIS DRAWING IS A CONTROLLED DOCUMENT.	
DIMENSIONS: mm [INCHES]	TOLERANCES UNLESS OTHERWISE SPECIFIED:
	0 PLC ± -
	1 PLC ± -
	2 PLC ± -
	3 PLC ± 0.127[.005]
	4 PLC ± -
	ANGLES ± -
MATERIAL PHOSPHOR BRONZE PER ASTM B-103 ANNEALED	FINISH TIN PLATE 0.00254[.000100] MIN THK PER ASTM B545

1000	LOOSE PIECE	52713-1
QUANTITY	PACKAGE TYPE	PART NO
TE Connectivity Ltd.		
NAME TERMINAL, LONG SPRING SPADE, SOLISTRAND 16-14 AWG		
SIZE A2	CAGE CODE 00779	DRAWING NO C=52713
CUSTOMER DRAWING		RESTRICTED TO -
SCALE 10:1	SHEET 1 of 1	REV E2