

4

3


2

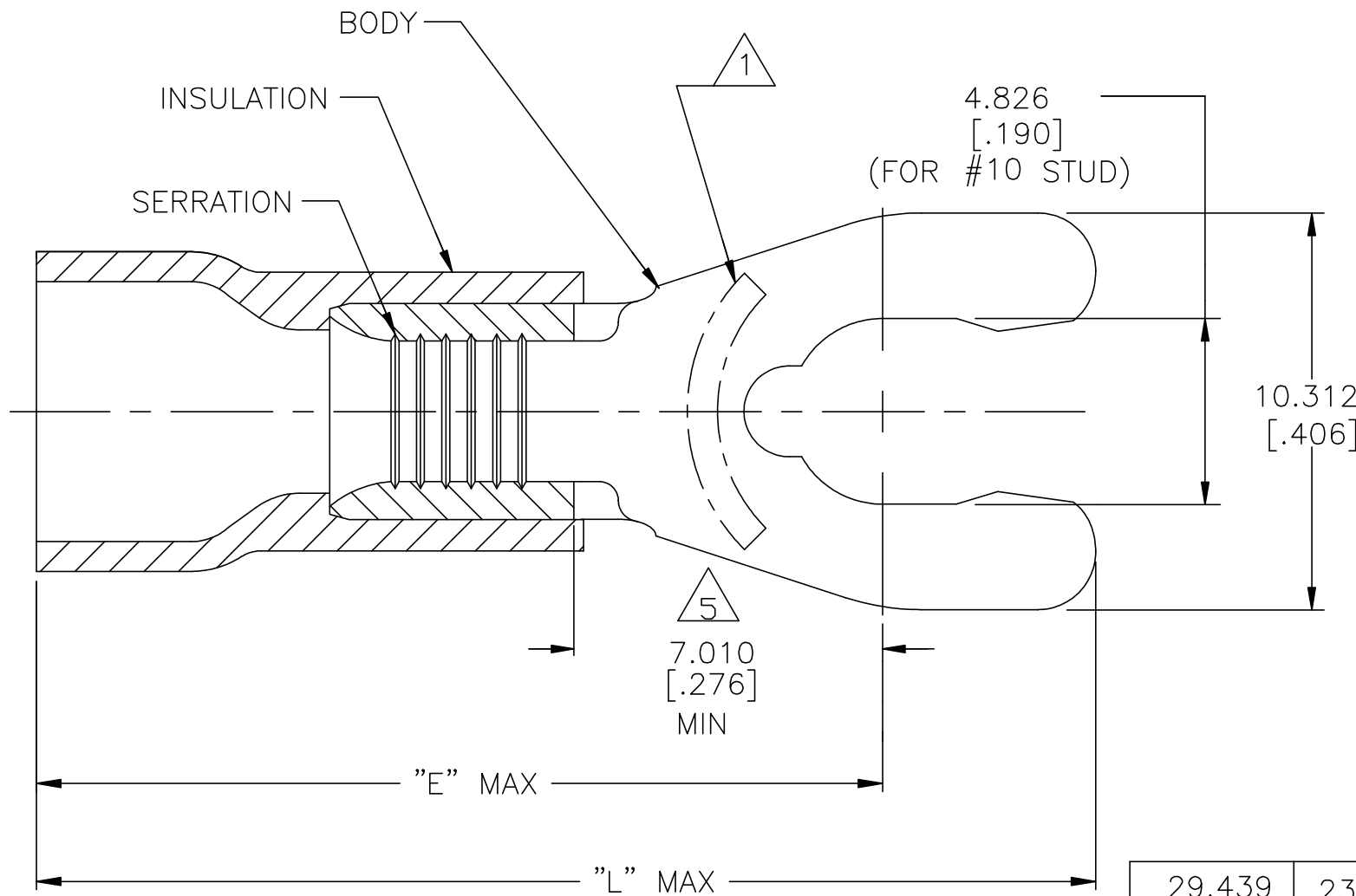
1

© - TE Connectivity. All Rights Reserved.

REVISIONS

P	LTR	DESCRIPTION	DATE	DWN	APVD
	U	REVISED PER ECR-23-163311	09MAR2023	BB	DSC

AMP WIRE RANGE	 Listed FILE E13288
12-10 AWG SOLID OR STRANDED	12 AWG STRANDED



- 1 STAMP 10S AMP 12-10* APPROX AS SHOWN
- 2 SEE TABLE FOR WIRE INSUL DIA
- 3 BODY MATERIAL THK: 1.016±0.051[.040±.002]
- 4 MATERIAL: BODY - BRASS PER ASTM B36
INSULATION - PVC
- 5 APPLIES FROM EDGE OF METAL WIRE
BARREL TO CENTER OF STUD HOLE
- 6 FINISH:
BODY - TIN PLATE 0.00254[.000100] MIN
EXT THK PER ASTM B545
INSULATION COLOR - YELLOW

29.439 [1.159]	23.774 [.936]	6.350-7.620 [.250-.300]	1500	ON TAPE, REEL	52963-5
29.439 [1.159]	23.774 [.936]	6.350-7.620 [.250-.300]	500	LOOSE PIECE	52963-4
27.940 [1.100]	22.276 [.877]	3.810-6.350 [.150-.250]	500	LOOSE PIECE	52963-2
27.940 [1.100]	22.276 [.877]	2.667-5.080 [.105-.200]	2500	ON TAPE, REEL	52963-1
27.940 [1.100]	22.276 [.877]	2.667-5.080 [.105-.200]	500	LOOSE PIECE	52963
L	E	WIRE INSUL DIA	QTY	PACKAGE TYPE	PART NO

AMP INCORPORATED
CUSTOMER SERVICE SYSTEMS

MAX RECOMMENDED OPERATING
TEMPERATURE:

105°C [221°F]

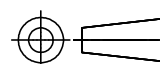
VOLTAGE RATING:
600V MAX
(1000V FIXTURE OR SIGN)

CIRCULAR MIL AREA:
2.62-6.64mm² [5,180-13,100]
SOLID OR STRANDED

THIS DRAWING IS A CONTROLLED DOCUMENT FOR
AMP INCORPORATED. IT IS SUBJECT TO CHANGE
AND THE CONTROLLING ENGINEERING ORGANIZATION
SHOULD BE CONTACTED FOR THE LATEST REVISION.

THIS DRAWING IS A CONTROLLED DOCUMENT.

DIMENSIONS:
mm [INCHES]



TOLERANCES UNLESS
OTHERWISE SPECIFIED:

0 PLC	± -
1 PLC	± -
2 PLC	± -
3 PLC	± 0.127[.005]
4 PLC	± -
ANGLES	± -

MATERIAL



FINISH



DWN 26JUN95

L OLMEDA

CHK 26JUN95

M ELLIS

APVD 26JUN95

G NGO

PRODUCT SPEC

APPLICATION SPEC

114-2161

WEIGHT

CUSTOMER DRAWING



NAME
TERMINAL, SPRING SPADE,
SHORT, PLASTI-GRIP
WIRE SIZE: 12-10 AWG

SIZE	CAGE CODE	DRAWING NO	RESTRICTED TO
A3	00779	C=52963	-

SCALE	SHEET	REV
6:1	1 of 1	U

FOR ADDITIONAL
PRODUCT INFORMATION OR
COPIES OF DRAWINGS
AND TECHNICAL DOCUMENTS

PRODUCT INFORMATION CENTER
1-800-522-6752

FOR APPLICATION
TOOLING INFORMATION

TOOLING ASSISTANCE CENTER
1-800-722-1111

FOR ORDER ENTRY

1-800-526-5142