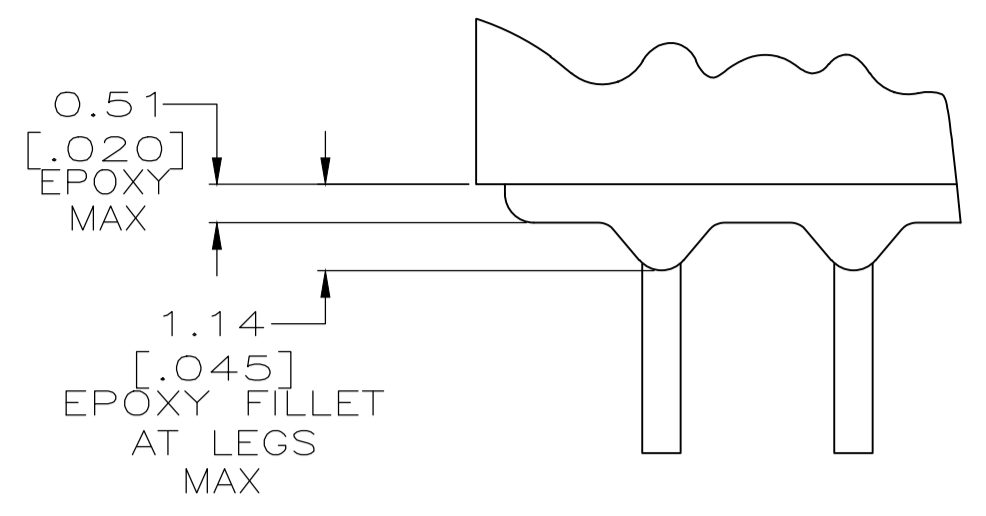
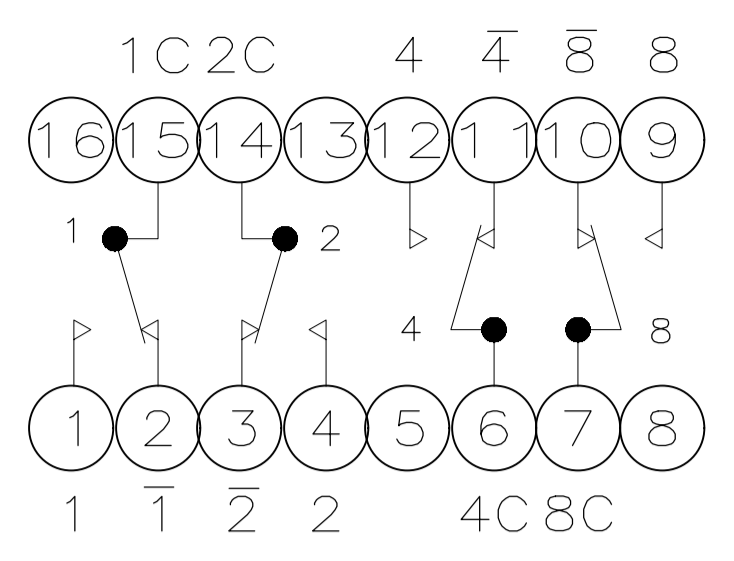


REVISIONS					
P	LTR	DESCRIPTION	DATE	OWN	APVD
AJ		ECO-20-012218	01SEP2020	SB	JB

- 1 SLOT FOR SCREWDRIVER ACTUATION.
- 2 FOR ADDITIONAL SPECIFICATIONS SEE AMP PRODUCT SPEC 108-7066 AND INSTRUCTION SHEET 6811.
- 3 SWITCH BOTTOM IS SEALED.
- 4 CONTACT FINISH TO BE 0.00076 [.000030] GOLD OVER NICKEL.
- 5 MATERIAL:  
HOUSING : BLACK POLYESTER  
CONTACTS : BERYLLIUM COPPER.
- 6 MARKS WILL BE ADDED BY LASER MARK PROCESS.



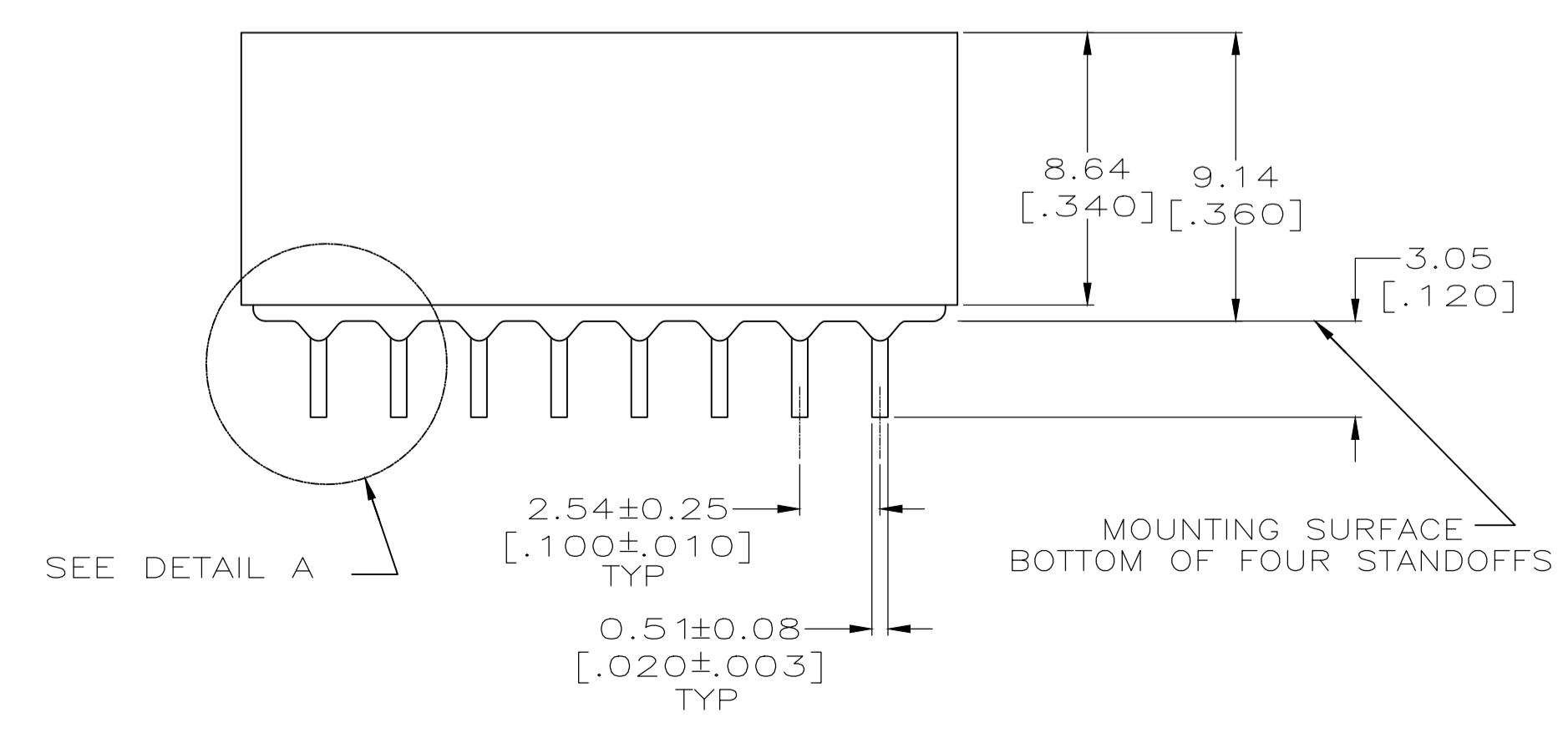
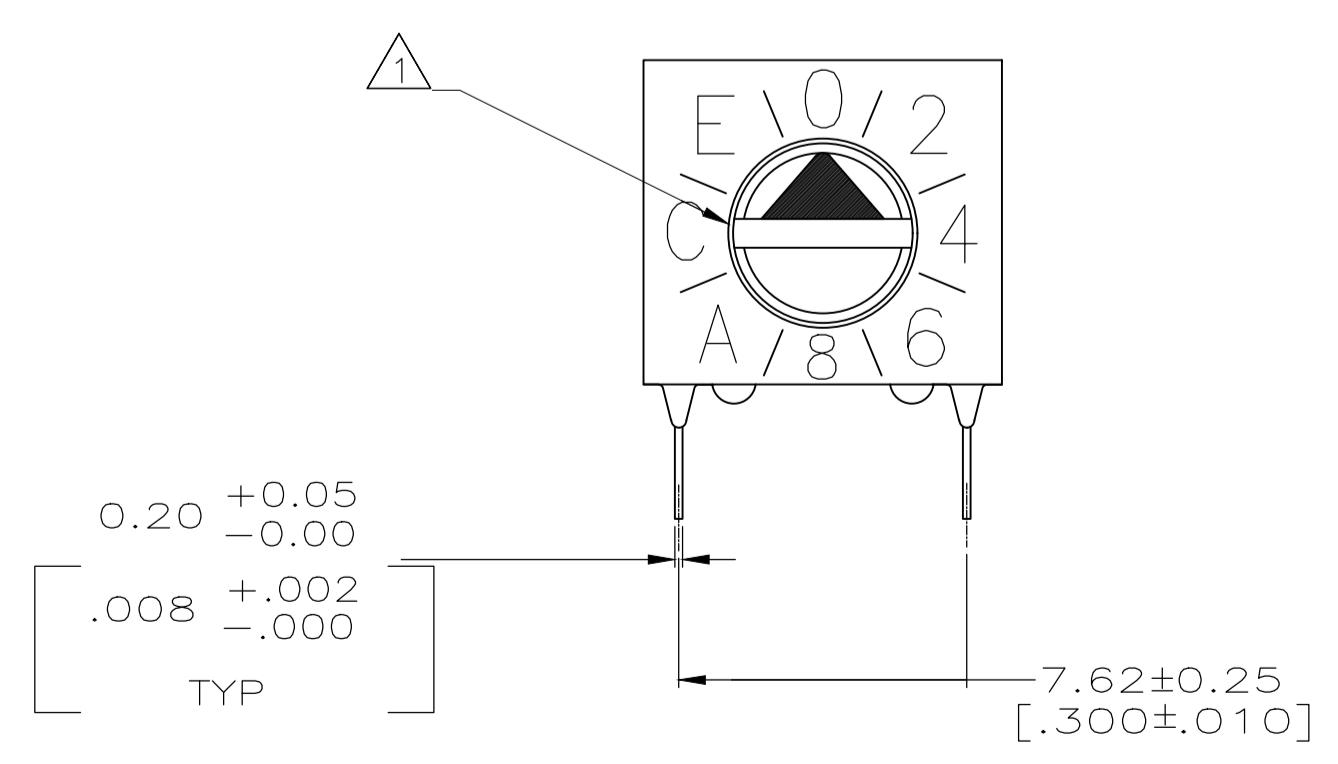
DETAIL A  
SCALE 10:1



SCHEMATIC  
(POSITION 0)

		POSITION															
		0	1	2	3	4	5	6	7	8	9	A	B	C	D	E	F
COMMON TO	1		●		●		●		●		●		●		●		●
	2			●	●			●	●			●	●			●	●
	4					●	●	●	●				●	●	●	●	●
	8									●	●	●	●	●	●	●	●
	1	●		●		●		●		●		●		●		●	
	2	●	●			●	●			●	●			●	●		
	4	●	●	●	●					●	●	●	●				
	8	●	●	●	●	●	●	●	●								

HEXADECIMAL: WITH COMPLEMENT



53137-5  
PART NUMBER

THIS DRAWING IS A CONTROLLED DOCUMENT.		DIN W. SORAH 1-8-97	 TE Connectivity
DIMENSIONS: INCHES		CHK: R. TALLEY 1-8-97	
TOLERANCES UNLESS OTHERWISE SPECIFIED:		APVD: J. ROBB 1-8-97	NAME: SWITCH ASSY, PREPROGRAMMED DIP, 16 POSITION, SCREWDRIVER SLOT
0 PLC ± -	1 PLC ± -	PRODUCT SPEC	SIZE: A1
2 PLC ± 0.30 [.012]	3 PLC ± -	APPLICATION SPEC	CAGE CODE: 00779
4 PLC ± -	ANGLES ± -	RESTRICTED TO	DRAWING NO: 53137-5
MATERIAL: △	FINISH: △	WEIGHT: -	SCALE: 5:1
CUSTOMER DRAWING		REV: -	SHEET: 1 OF 1