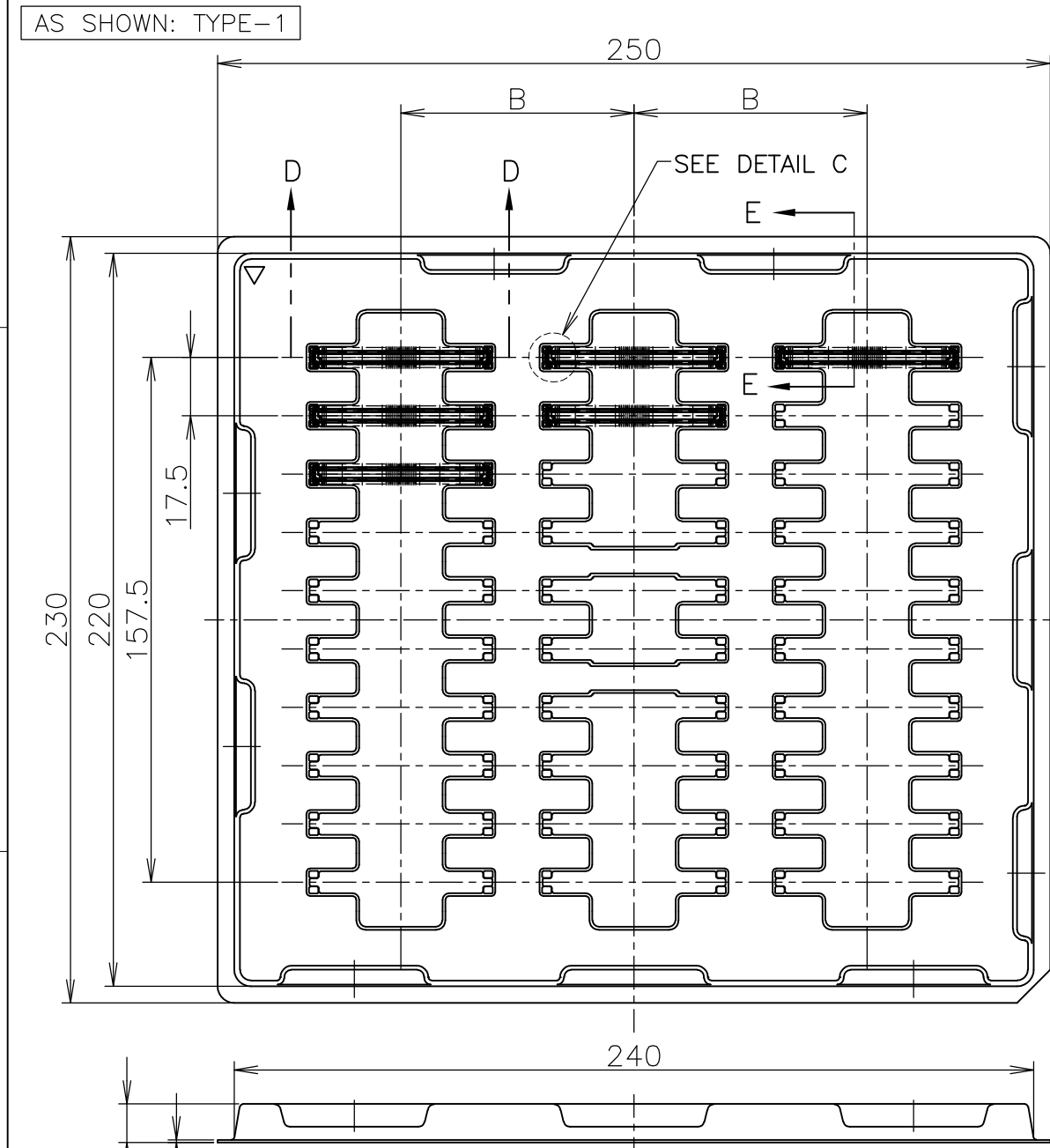
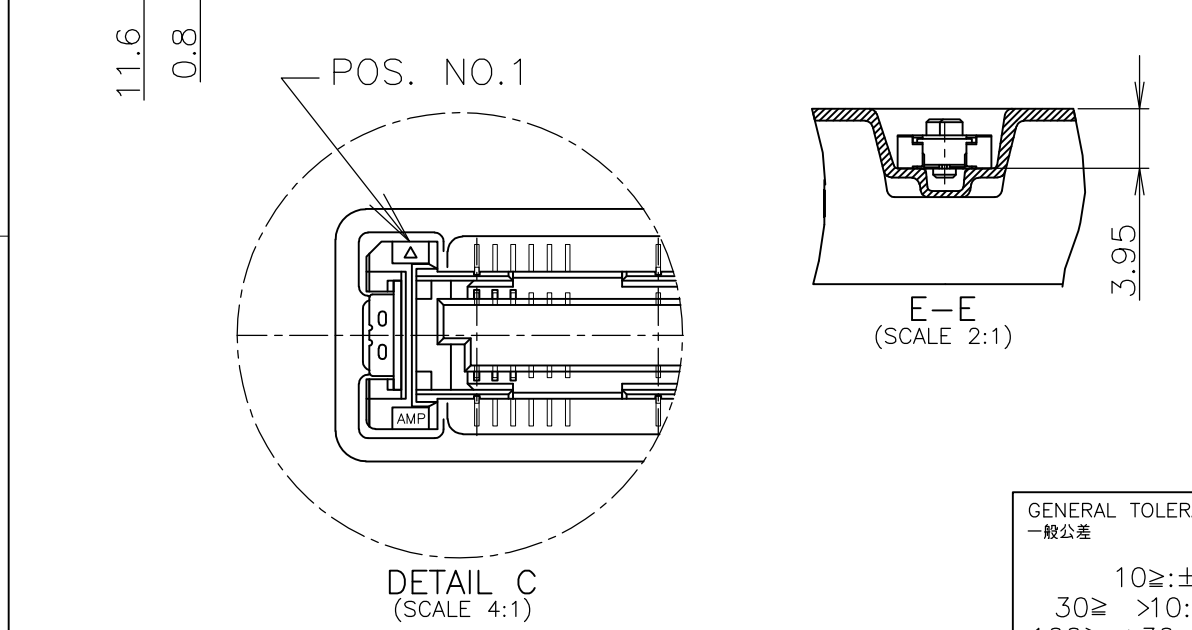
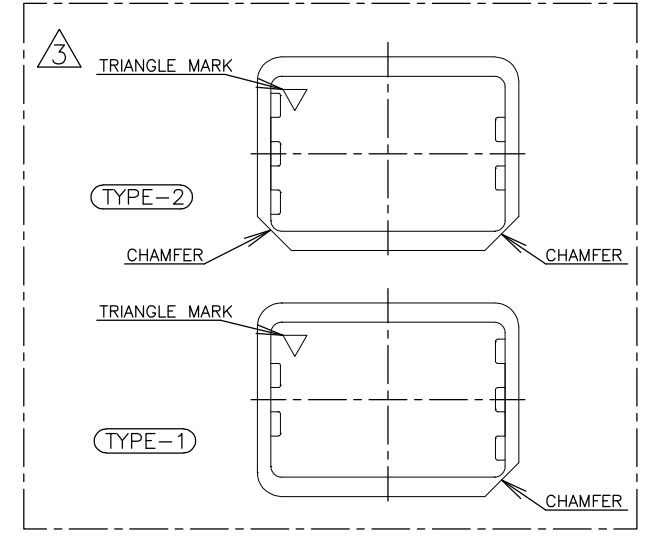
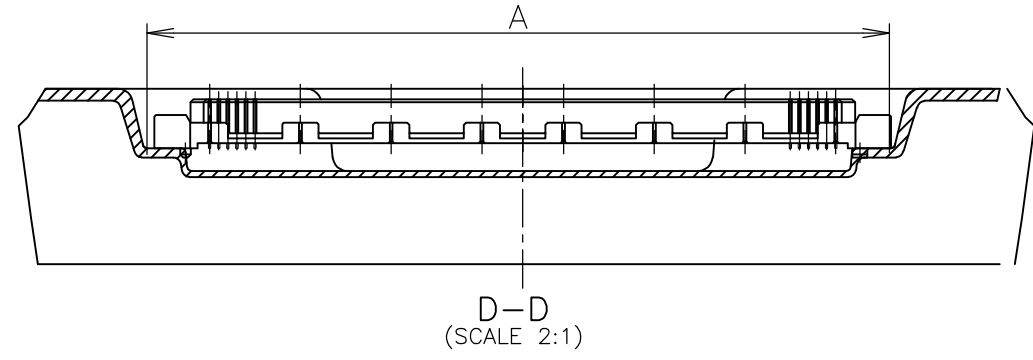


THIS DRAWING IS UNPUBLISHED. RELEASED FOR PUBLICATION MAY, 1995.
 © COPYRIGHT 1995 BY TYCO ELECTRONICS CORPORATION. ALL RIGHTS RESERVED.

LOC	DIST	REVISIONS		
J		変更		
P	LTR	DESCRIPTION	DATE	DWN
	B	REVISED ECR-08-000340	01FEB08	T.T
				APVD
				T.F



△ TRAY TYPE-1 AND TYPE-2 MUST BE
 PILED UP BY TURNS.
 (REFER TO PACKING SPECIFICATIONS)



HOUSING COLOR	SEALANT	TOOLING STATUS	ROW	QTY	B	A	POS.	TRAY P/N	PART NO.
BLACK	SEALANT	AVAILABLE	3	30	70	48.7	140	912063-8	8-5316136-0
		NOT AVAILABLE	↑	↑	↑	54.7	160	912063-9	6-5316136-1
		↑				48.7	140	912063-8	6-↑-0
		↓				42.7	120	9-912066-7	5-↑-9
		↓				36.7	100	8-912066-2	5-↑-8
		↓	3	30	70	33.7	90	9-912066-6	5-↑-7
	NON SEALANT	↓	5	50	43	30.7	80	912067-3	5-↑-6
		↑	↑	↑	↑	27.7	70	912063-1	5-↑-5
		↓				24.7	60	9-912066-5	5-↑-4
		↓				21.7	50	9-912062-9	5-↑-3
		↓				18.7	40	9-912066-4	5-↑-2
		↓	5	50	43	15.7	30	9-912066-3	5-5316136-1
NATURAL	NON SEALANT	AVAILABLE	3	30	70	54.7	160	912063-9	1-5316136-1
		AVAILABLE	↑	↑	↑	48.7	140	912063-8	1-↑-0
		NOT AVAILABLE	↓	↓	↓	42.7	120	9-912066-7	↑-9
		NOT AVAILABLE	↓	↓	↓	36.7	100	8-912066-2	↑-8
		NOT AVAILABLE	3	30	70	33.7	90	9-912066-6	↑-7
		NOT AVAILABLE	5	50	43	30.7	80	912067-3	↑-6
	NON SEALANT	AVAILABLE	↑	↑	↑	27.7	70	912063-1	↑-5
		NOT AVAILABLE				24.7	60	9-912066-5	↑-4
		AVAILABLE				21.7	50	9-912062-9	↑-3
		NOT AVAILABLE	↓	↓	↓	18.7	40	9-912066-4	↑-2
		NOT AVAILABLE	5	50	43	15.7	30	9-912066-3	5316136-1
		NOT AVAILABLE							

GENERAL TOLERANCE
 一般公差

10 ≥	±0.2
30 ≥	>10: ±0.25
100 ≥	>30: ±0.3
ANGLES: ±3°	

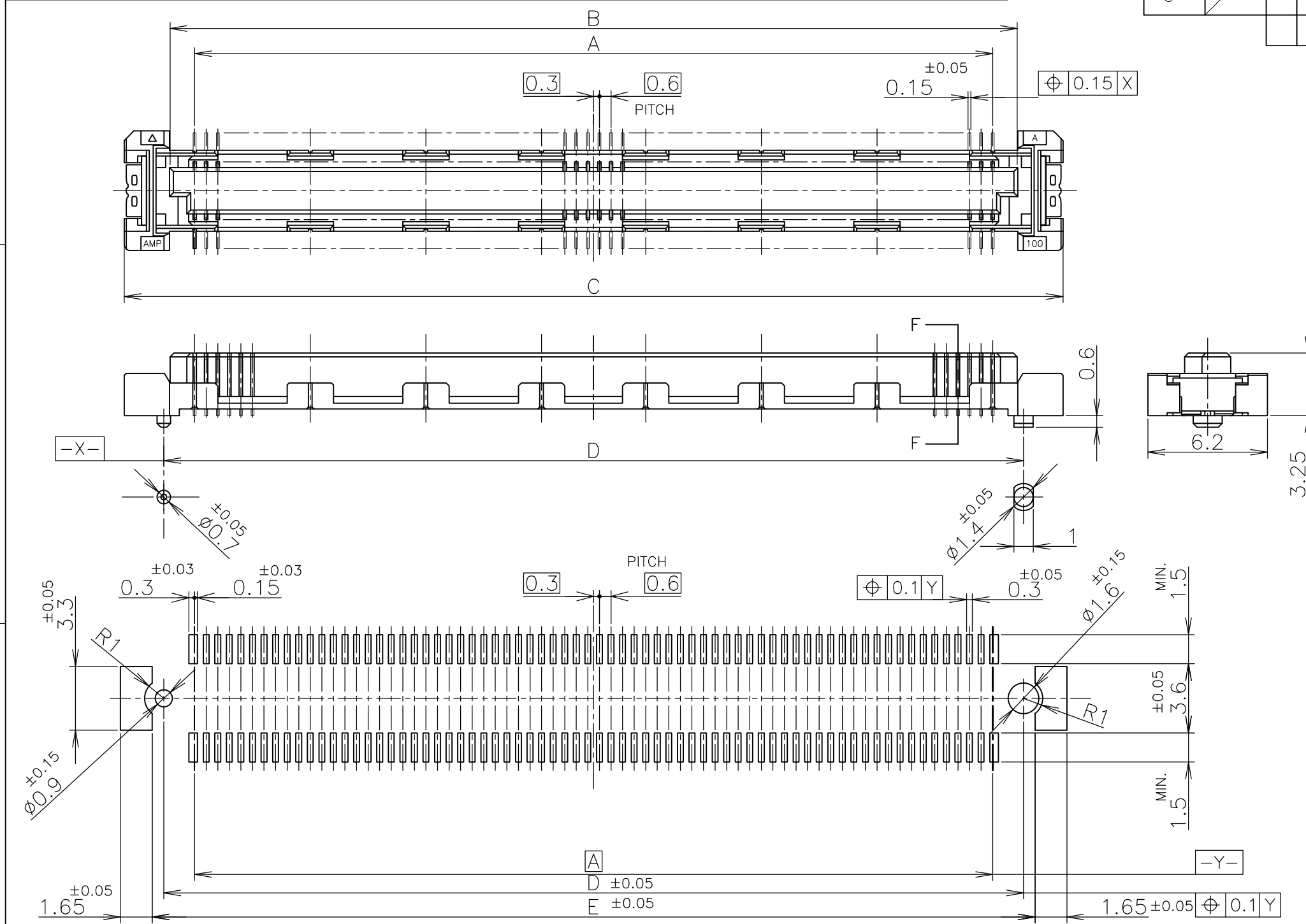
THIS DRAWING IS A CONTROLLED DOCUMENT.

DWN	HAWKING HE	21DEC04
CHK	STEVEN YAO	21DEC04
APVD	I.ENOMOTO	21DEC04
NAME	IENOMOTO	
PRODUCT SPEC	製品規格	
APPLICATION SPEC	取付適用規格	
WEIGHT	108-60047	
SIZE	A3	00779
CAGE CODE	G-5316136	
DRAWING NO	C-5316136	
RESTRICTED TO	SCALE 1:2 SHEET 1 OF 2 REV B	

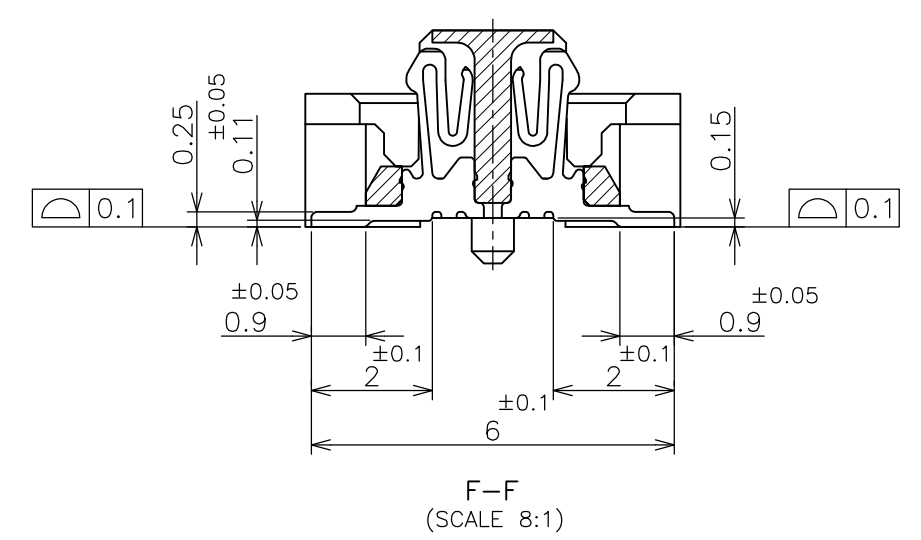
CUSTOMER DRAWING

THIS DRAWING IS UNPUBLISHED. RELEASED FOR PUBLICATION MAY, 1995.
 © COPYRIGHT 1995 BY TYCO ELECTRONICS CORPORATION. ALL RIGHTS RESERVED.

LOC	DIST	REVISIONS		
J		P	LTR	DESCRIPTION
				DATE
				DWN
				APVD
		SEE SHEET 1		



△ MATERIAL : HOUSING : HIGH TEMP THERMO PLASTIC UL94V-0
 CONTACT : COPPER ALLOY
 △ FINISH : UNDER PL Ni 0.0013mm MIN ALL OVER.
 CONTACT AREA 0.0002 MIN Au PL.
 SOLDERING AREA 0.00005 MIN Au PL.



REFERENCE P.C. BOARD LAYOUT

AVAILABLE	51.8	50.6	54.7	50	47.4	160
AVAILABLE	45.8	44.6	48.7	44	41.4	140
NOT AVAILABLE	39.8	38.6	42.7	38	35.4	120
	33.8	32.6	36.7	32	29.4	100
NOT AVAILABLE	30.8	29.6	33.7	29	26.4	90
AVAILABLE	27.8	26.6	30.7	26	23.4	80
AVAILABLE	24.8	23.6	27.7	23	20.4	70
NOT AVAILABLE	21.8	20.6	24.7	20	17.4	60
AVAILABLE	18.8	17.6	21.7	17	14.4	50
NOT AVAILABLE	15.8	14.6	18.7	14	11.4	40
NOT AVAILABLE	12.8	11.6	15.7	11	8.4	30
TOOLING STATUS	E	D	C	B	A	POS

THIS DRAWING IS A CONTROLLED DOCUMENT.		DWN	Tyco Electronics Corporation Kawasaki, Japan	
DIMENSIONS: 单位: 耗 mm		CHK	NAME 名称	
TOLERANCES UNLESS OTHERWISE SPECIFIED: 一般公差		APVD	TRAY ASSY FH 0.6BTB CONNECTOR REC 4H STD	
0 PLC ± 0.3		PRODUCT SPEC 製品規格	SIZE	CAGE CODE
1 PLC ± 0.3		APPLICATION SPEC 取付適用規格	A3	00779
2 PLC ± 0.3		WEIGHT	DRAWING NO 番号	RESTRICTED TO
3 PLC ± 0.3		CUSTOMER DRAWING	G-5316136	
4 PLC ± 0.3			SCALE 尺度 4:1	SHEET 2 OF 2
ANGLES ± 3'			REV B	
FINISH 仕上				