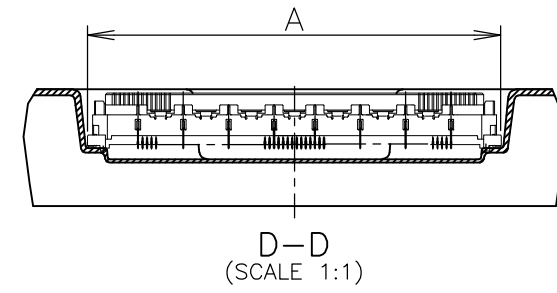
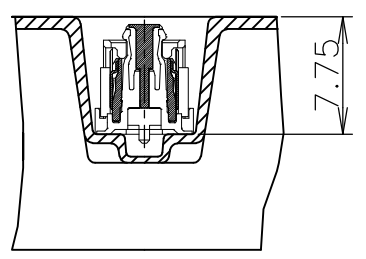
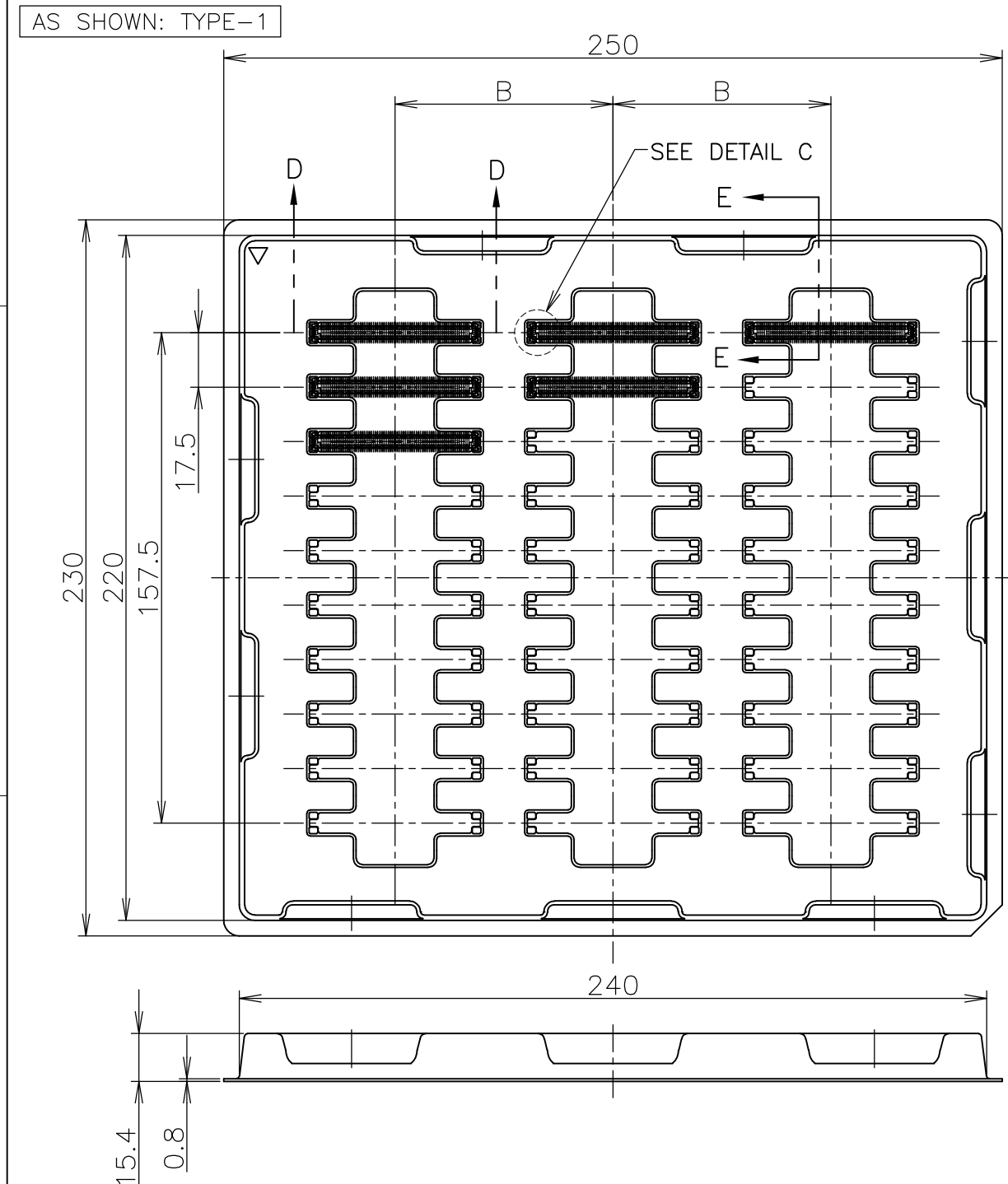
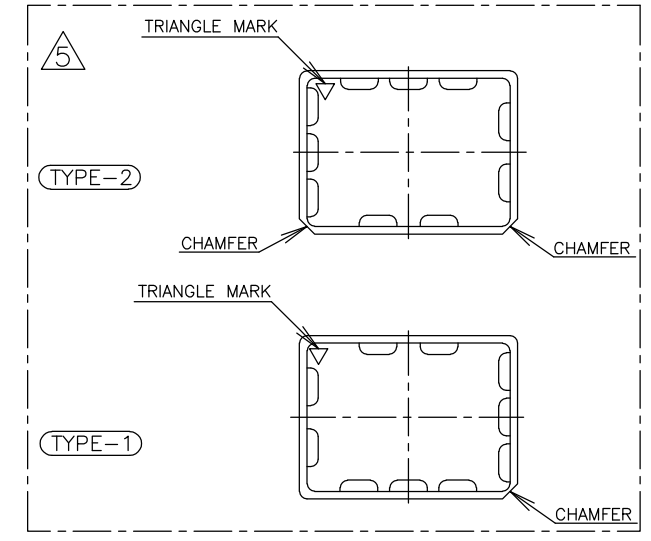


THIS DRAWING IS UNPUBLISHED. RELEASED FOR PUBLICATION OCT, 1995.
 © COPYRIGHT 1995 BY TYCO ELECTRONICS CORPORATION. ALL RIGHTS RESERVED.

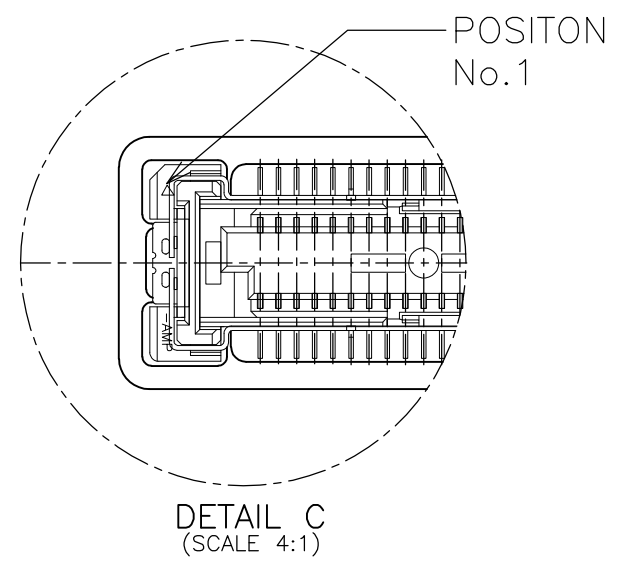
LOC	DIST	REVISIONS					
J		P	LTR	DESCRIPTION	DATE	DWN	APVD
		A		REVISED ECR-08-000340	01FEB08	T.T	T.F



⚠ TRAY TYPE-1 AND TYPE-2 MUST BE
 PILED UP BY TURNS.
 (REFER TO PACKING SPECIFICATIONS)



SEALANT	TOOLING STATUS	ROW	QTY	B	A	POS.	TRAY P/N	PART NO.
OBsolete	2	20	103	78.7	240	7-912063-7	6-5316563-5	
NOT AVAILABLE	3	30	70	54.7	160	9-912066-9	6-	-1
				48.7	140	9-912066-8	6-	-0
				42.7	120	7-912063-5	5-	-9
				36.7	100	3-912067-0	5-	-8
NOT AVAILABLE	3	30	70	33.7	90	2-912067-9	5-	-7
AVAILABLE	5	50	43	30.7	80	8-912063-9	5-	-6
NOT AVAILABLE				27.7	70	2-912067-7	5-	-5
				24.7	60	2-912067-6	5-	-4
				21.7	50	2-912067-5	5-	-3
				18.7	40	3-912067-2	5-	-2
NOT AVAILABLE	5	50	43	15.7	30	3-912067-1	5-5316563-1	
OBsolete	2	20	103	78.7	240	7-912063-7	1-5316563-5	
NOT AVAILABLE	3	30	70	54.7	160	9-912066-9	1-	-1
				48.7	140	9-912066-8	1-	-0
				42.7	120	7-912063-5		-9
				36.7	100	3-912067-0		-8
NOT AVAILABLE	3	30	70	33.7	90	2-912067-9		-7
AVAILABLE	5	50	43	30.7	80	8-912063-9		-6
NOT AVAILABLE				27.7	70	2-912067-7		-5
				24.7	60	2-912067-6		-4
				21.7	50	2-912067-5		-3
				18.7	40	3-912067-2		-2
NOT AVAILABLE	5	50	43	15.7	30	3-912067-1	5316563-1	



THIS DRAWING IS A CONTROLLED DOCUMENT.

DWN HAWKING HE 20DEC04
 CHK STEVEN YAO 20DEC04
 APVD I.ENOMOTO 20DEC04

Tyco Electronics Tyco Electronics Corporation
 Kawasaki, Japan

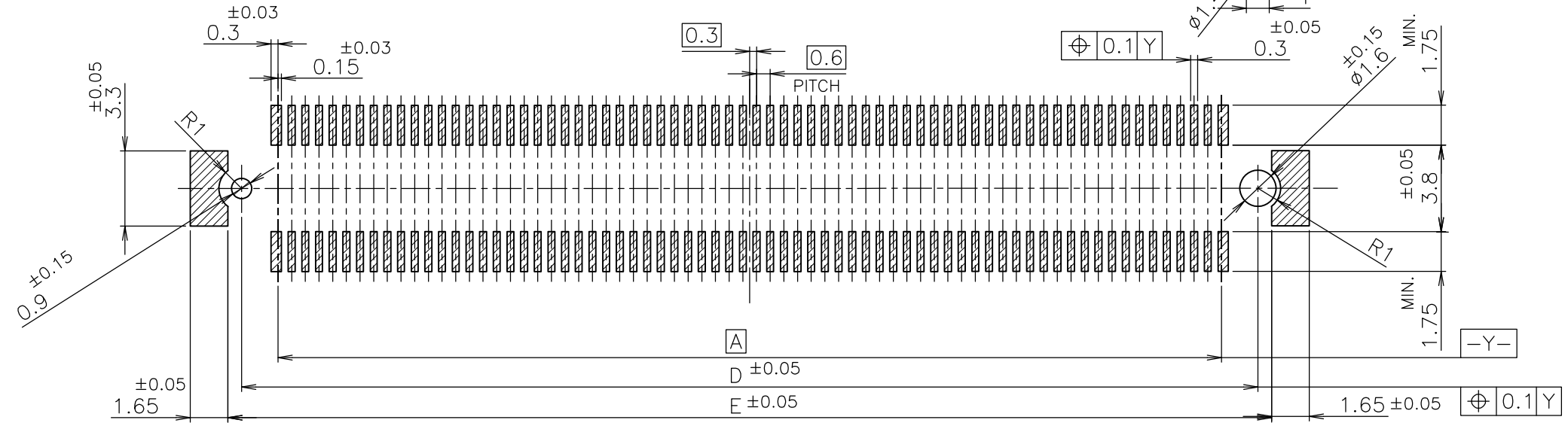
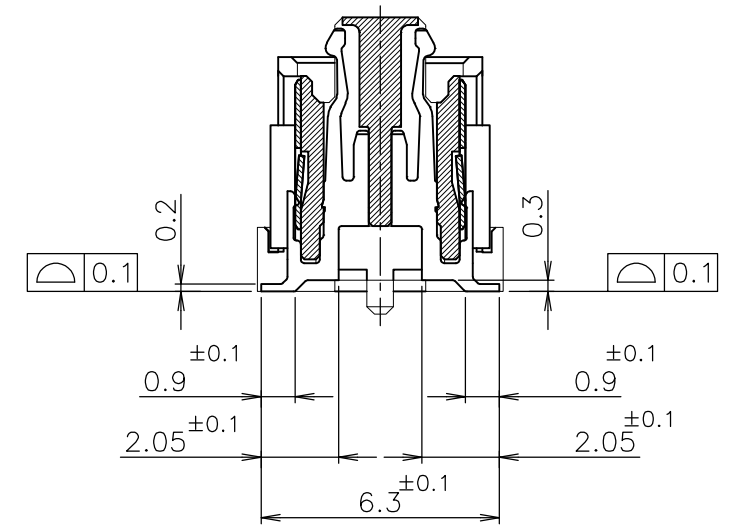
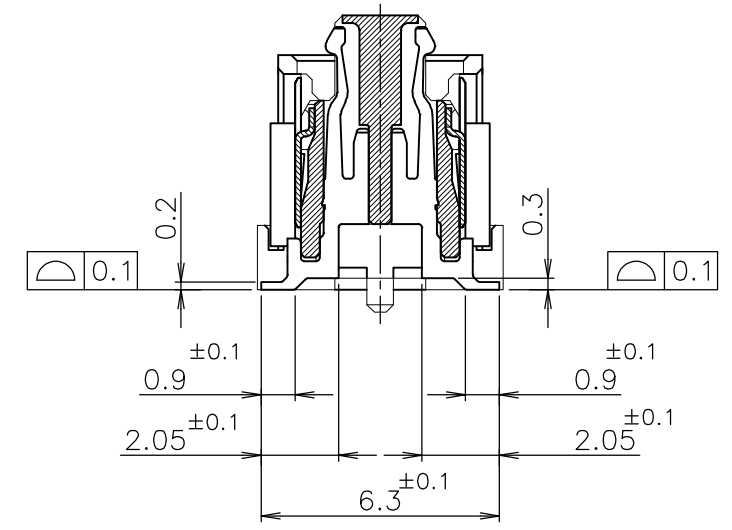
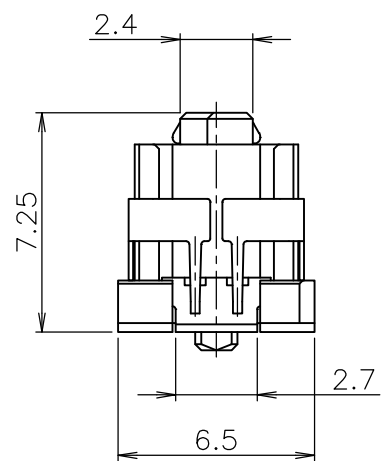
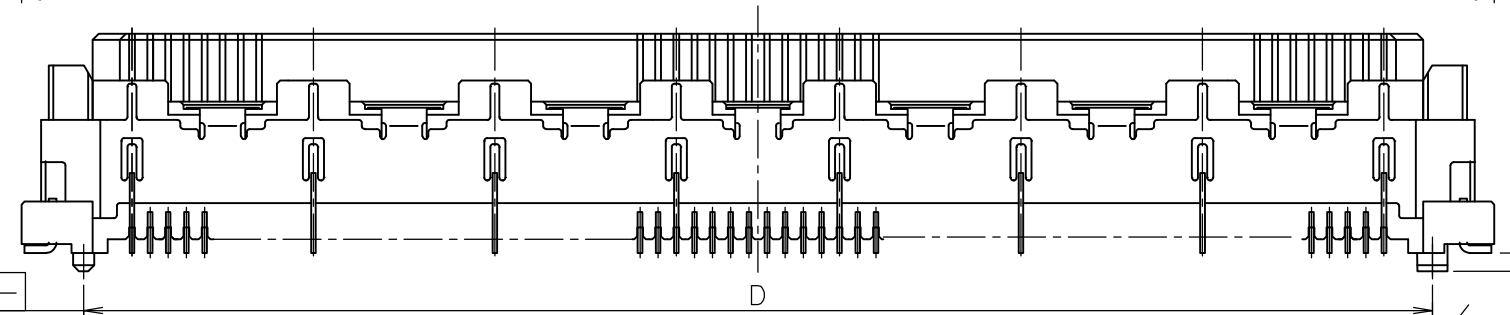
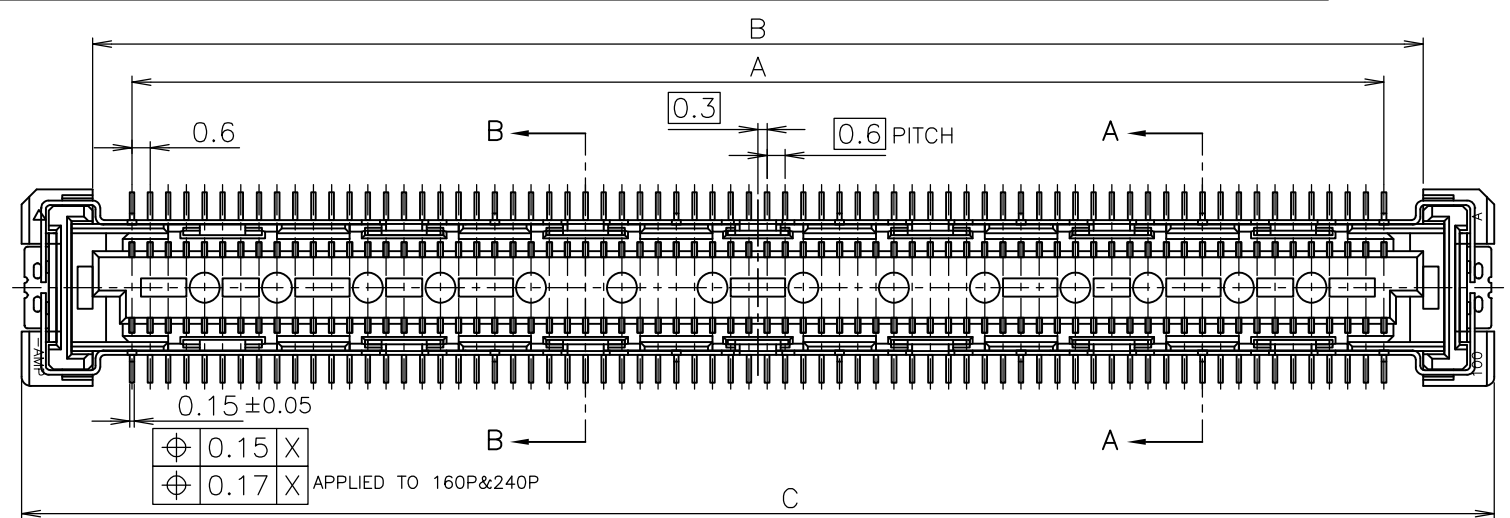
NAME 名称: SOFT TRAY ASSY
 PRODUCT SPEC 製品規格: FH 0.6 BTB CONNECTOR
 APPLICATION SPEC 取付適用規格: REC 8H W/G-PLATE

108-60047
 114-5255

SIZE A3 CAGE CODE 00779 DRAWING NO. 番号 G-5316563 RESTRICTED TO

CUSTOMER DRAWING SCALE 尺度 1:2 SHEET 1 OF 3 REV A

LOC	DIST	REVISIONS		
J		変更	DATE	DWN
P	LTR	DESCRIPTION		APVD
		SEE SHEET 1		



4	NOT AVAILABLE	75.8	74.6	78.7	74	71.4	240
	AVAILABLE	51.8	50.6	54.7	50	47.4	160
↑	NOT AVAILABLE	45.8	44.6	48.7	44	41.4	140
		39.8	38.6	42.7	38	35.4	120
↑		33.8	32.6	36.7	32	29.4	100
	NOT AVAILABLE	30.8	29.6	33.7	29	26.4	90
↑	AVAILABLE	27.8	26.6	30.7	26	23.4	80
	NOT AVAILABLE	24.8	23.6	27.7	23	20.4	70
↑		21.8	20.6	24.7	20	17.4	60
		19.8	17.6	21.7	17	14.4	50
↑		15.8	14.6	18.7	14	11.4	40
	NOT AVAILABLE	12.8	11.6	15.7	11	8.4	30
TOOLING STATUS		E	D	C	B	A	POS

REFERENCE P.C.BOARD LAYOUT

THIS DRAWING IS A CONTROLLED DOCUMENT.		DWN	Tyco Electronics Corporation Kawasaki, Japan	
DIMENSIONS: 单位: 耗 mm		CHK	NAME 名称	
TOLERANCES UNLESS OTHERWISE SPECIFIED: 一般公差		APVD	SOFT TRAY ASSY FH 0.6 BTB CONNECTOR REC 8H W/G-PLATE	
0 PLC ± 0.3		PRODUCT SPEC 製品規格	SIZE	CAGE CODE
1 PLC ± 0.3		APPLICATION SPEC 取付適用規格	A3	00779
2 PLC ± 0.3		WEIGHT	DRAWING NO 番号	RESTRICTED TO
3 PLC ± 0.3		CUSTOMER DRAWING	G-5316563	
4 PLC ± 0.3			SCALE 尺度 4:1	SHEET 2 OF 3
ANGLES ± 3'			REV A	
FINISH 仕上				

THIS DRAWING IS UNPUBLISHED. RELEASED FOR PUBLICATION OCT., 1995.
 © COPYRIGHT 1995 BY TYCO ELECTRONICS CORPORATION. ALL RIGHTS RESERVED.

LOC	DIST	REVISIONS		
J		変更	DATE	DWN
P	LTR	DESCRIPTION		APVD
		SEE SHEET 1	-	-

D

D

C

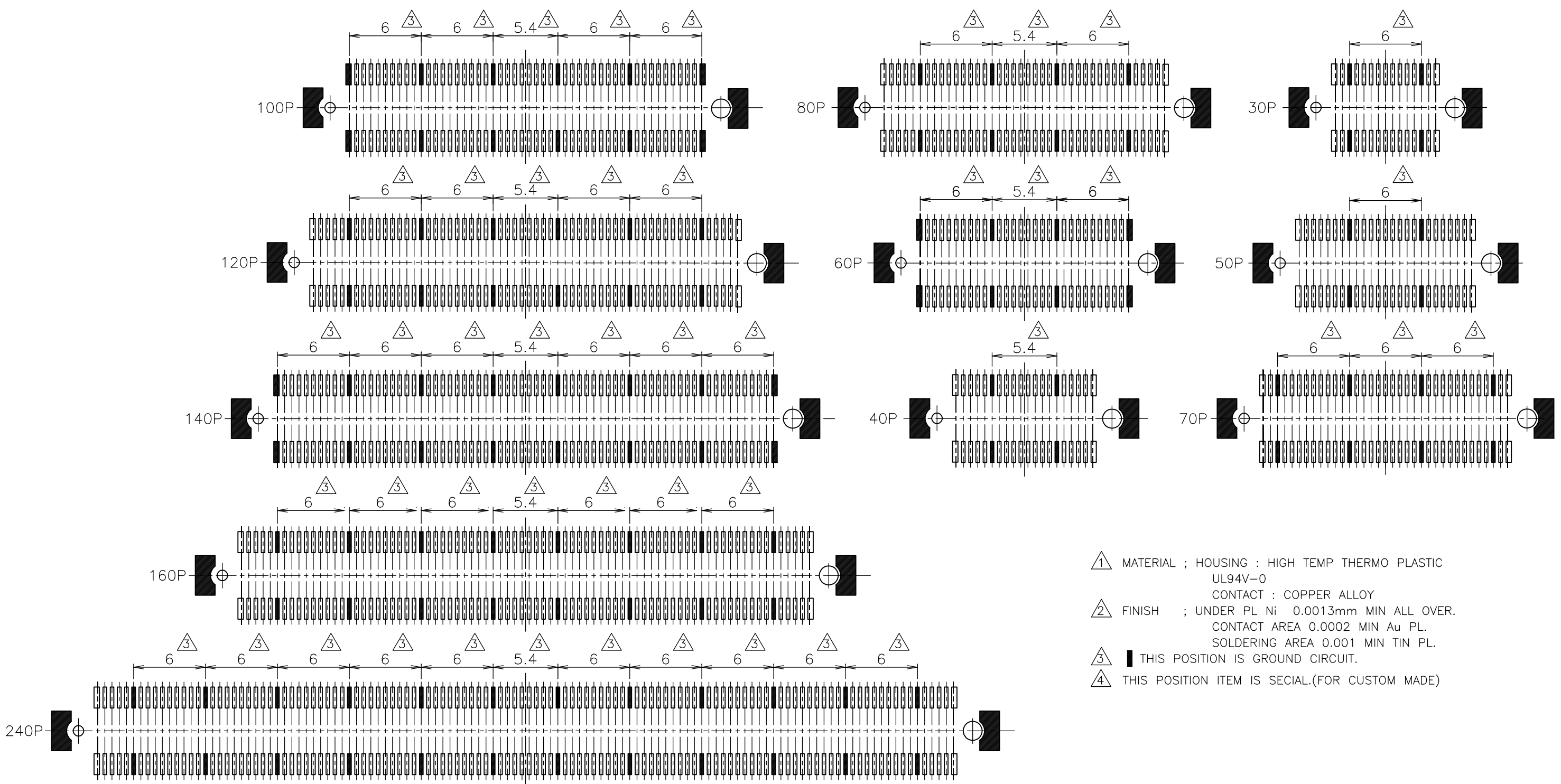
C

B

B

A

A



- ① MATERIAL ; HOUSING : HIGH TEMP THERMO PLASTIC UL94V-0
CONTACT : COPPER ALLOY
- ② FINISH ; UNDER PL Ni 0.0013mm MIN ALL OVER.
CONTACT AREA 0.0002 MIN Au PL.
SOLDERING AREA 0.001 MIN TIN PL.
- ③ ■ THIS POSITION IS GROUND CIRCUIT.
- ④ THIS POSITION ITEM IS SECIAL.(FOR CUSTOM MADE)

THIS DRAWING IS A CONTROLLED DOCUMENT.		DWN	Tyco Electronics Corporation Kawasaki, Japan	
DIMENSIONS: 単位: 耗 mm		CHK	NAME 名称	
TOLERANCES UNLESS OTHERWISE SPECIFIED: 一般公差		APVD	SOFT TRAY ASSY FH 0.6 BTB CONNECTOR REC 8H W/G-PLATE	
0 PLC ± 0.3		PRODUCT SPEC 製品規格	SIZE	CAGE CODE
1 PLC ± 0.3		APPLICATION SPEC 取付適用規格	A3	00779
2 PLC ± 0.3		WEIGHT	DRAWING NO 番号	
3 PLC ± 0.3		CUSTOMER DRAWING	G-5316563	
4 PLC ± 0.3			SCALE 尺度	SHEET
ANGLES ± 3'			3:1	3 OF 3
MATERIAL 材料	FINISH 仕上	RESTRICTED TO		REV
①	②			A