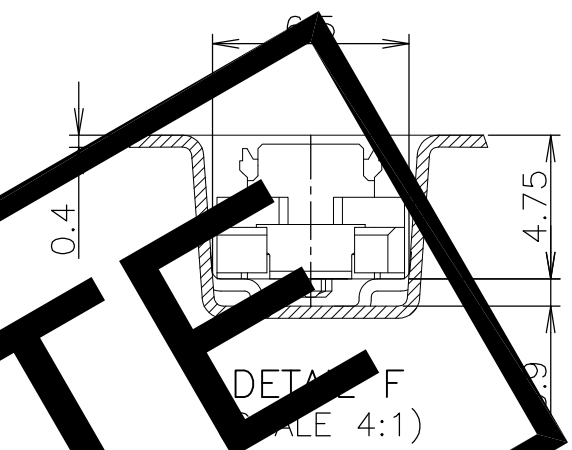
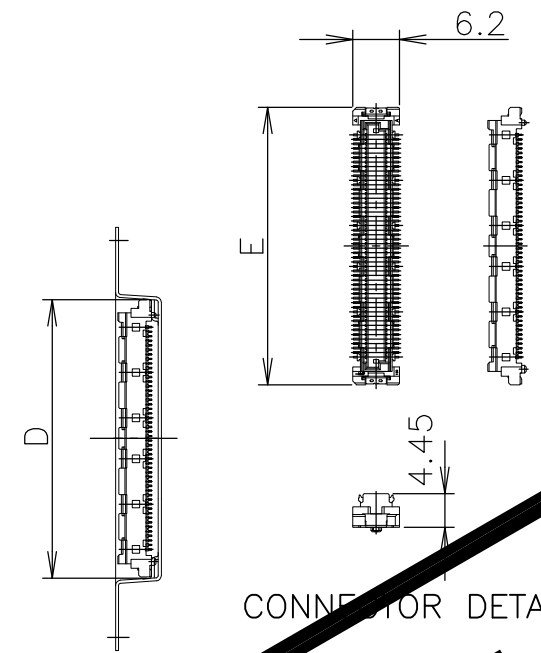
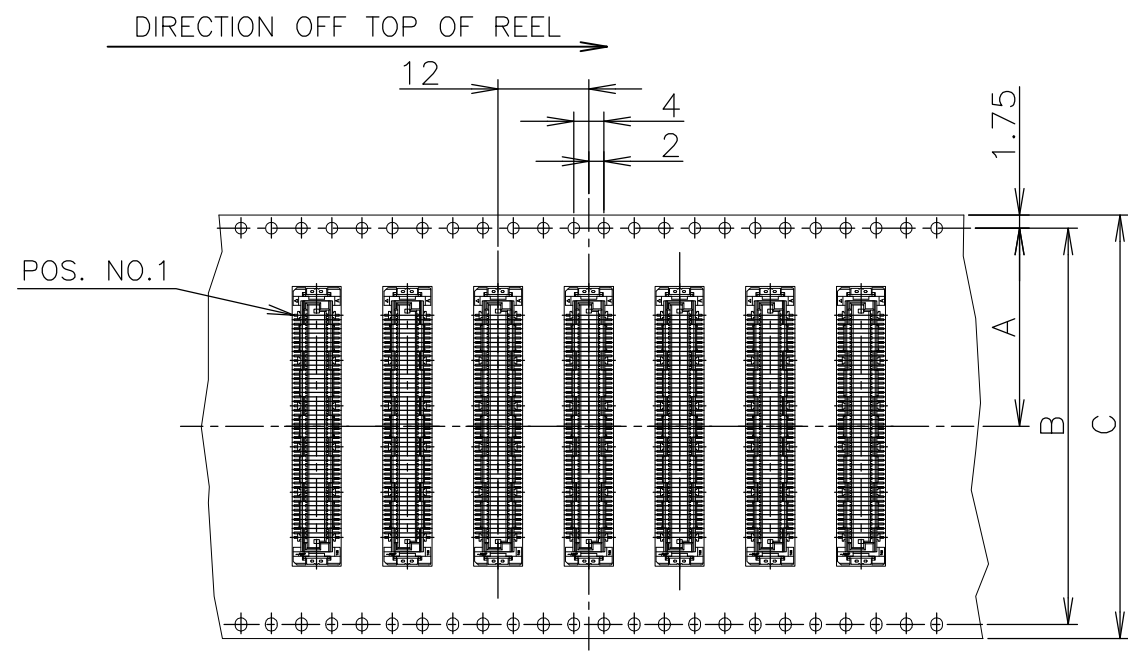
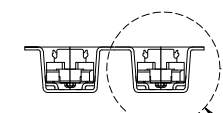


THIS DRAWING IS UNPUBLISHED. RELEASED FOR PUBLICATION DEC ,1996.
 © COPYRIGHT 1996 By - ALL RIGHTS RESERVED.

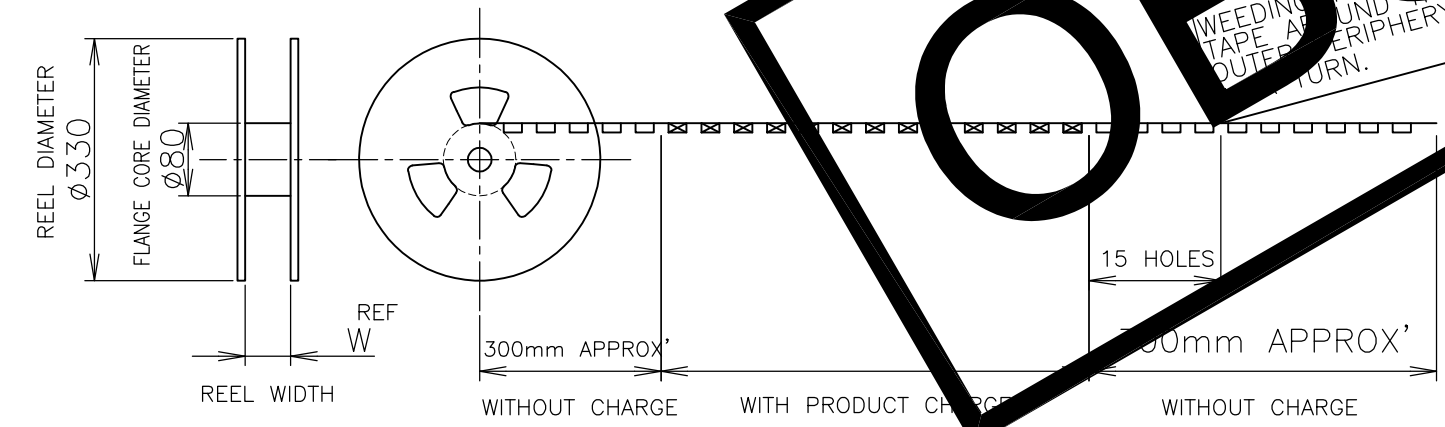
REVISIONS					
P	LTR	DESCRIPTION	DATE	DWN	APVD
B1		REVISED ECR-15-005119	02APR2015	I.T	W.H
C		OBSOLETE ECO-17-002393	25MAY2017	B.J	S.Y



CONNECTOR DETAIL



SEE DETAIL F



OBSOLETE

SEALANT	TOOLING STATUS	QTY.	W	E	D	C	B	A	POS.	PART NO.
NOT AVAILABLE		1000	77.5	54.7	35	72	68.4	34.2	160	6-5353692-1
			77.5	48.7	49	72	68.4	34.2	140	6- - -0
			77.5	42.7	43	56	52.4	26.2	120	5- - -9
			61.5	36.7	37	56	52.4	26.2	100	5- - -8
			61.5	33.7	34	56	52.4	26.2	90	5- - -7
			49.5	30.7	31	44	40.4	20.2	80	5- - -6
			49.5	27.7	28	44	40.4	20.2	70	5- - -5
NOT AVAILABLE			49.5	24.7	25	44	40.4	20.2	60	5- - -4
AVAILABLE			37.5	21.7	22	32	28.4	14.2	50	5- - -3
NOT AVAILABLE			37.5	18.7	19	32	28.4	14.2	40	5- - -2
NOT AVAILABLE		1000	29.5	15.7	16	24	11.5		30	5-5353692-1
NOT AVAILABLE		1000	77.5	54.7	55	72	68.4	34.2	160	1-5353692-1
			77.5	48.7	49	72	68.4	34.2	140	1- - -0
			61.5	42.7	43	56	52.4	26.2	120	- - -9
NOT AVAILABLE			61.5	36.7	37	56	52.4	26.2	100	- - -8
NOT AVAILABLE			61.5	33.7	34	56	52.4	26.2	90	- - -7
NOT AVAILABLE			49.5	30.7	31	44	40.4	20.2	80	- - -6
			49.5	27.7	28	44	40.4	20.2	70	- - -5
NOT AVAILABLE			49.5	24.7	25	44	40.4	20.2	60	- - -4
AVAILABLE			37.5	21.7	22	32	28.4	14.2	50	- - -3
NOT AVAILABLE			37.5	18.7	19	32	28.4	14.2	40	- - -2
NOT AVAILABLE		1000	29.5	15.7	16	24	11.5		30	5353692-1

3 THIS PRODUCT WAS COATED BY FLUX-PENETRATION
 -INHIBITING AGENT.

THIS DRAWING IS A CONTROLLED DOCUMENT.

DIMENSIONS: mm

TOLERANCES UNLESS OTHERWISE SPECIFIED:

0 PLC	± 0.2
1 PLC	± 0.2
2 PLC	± 0.2
3 PLC	± 0.2
4 PLC	± 0.2
ANGLES	± 5'

MATERIAL: _____ FINISH: _____

STE TE Connectivity

EMBOSS ASSY
 FH 0.6BTB CONNECTOR
 PLUG 5H STD TYPE

SIZE: A3 CAGE CODE: 00779 DRAWING NO: C-5353692 RESTRICTED TO: _____

CUSTOMER DRAWING SCALE: 4:1 SHEET: 1 OF 2 REV: C

THIS DRAWING IS UNPUBLISHED.

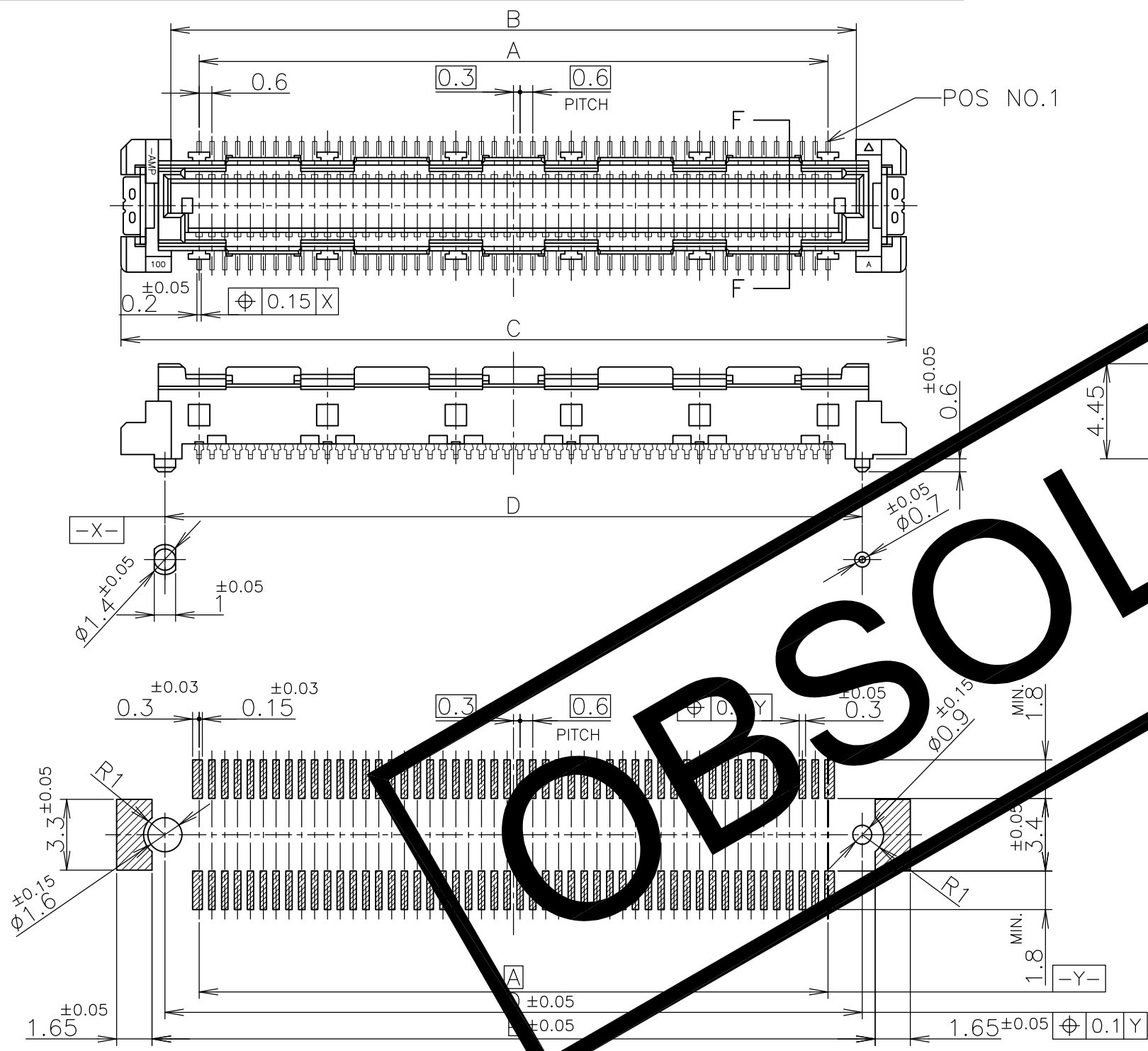
RELEASED FOR PUBLICATION DEC , 1996.

REVISIONS

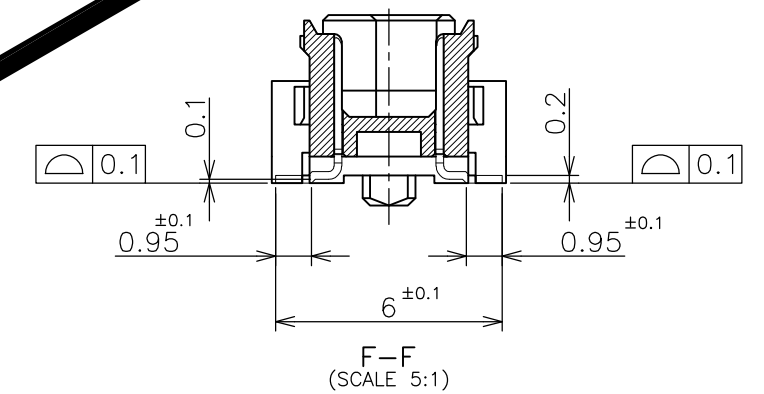
© COPYRIGHT 1996 By -

ALL RIGHTS RESERVED.

P	LTR	DESCRIPTION	DATE	DWN	APVD
-	-	SEE SHEET 1	-	-	-



△ MATERIAL ; HOUSING : HIGH TEMP THERMO PLASTIC
 UL94V-0
 CONTACT : COPPER ALLOY
 △ FINISH : UNDER P. Ni 0.0013mm MIN ALL OVER.
 CONTACT AREA 0.0002 MIN Au PL.
 SOLDERING AREA 0.001 MIN TIN PL.



OBSOLETE

NOT AVAILABLE	51.8	50.6	54.7	50	47.4	160
↑	45.8	44.6	48.7	44	41.4	140
	39.8	38.6	42.7	38	35.4	120
NOT AVAILABLE	33.8	32.6	36.7	32	29.4	100
AVAILABLE	30.8	29.6	33.7	29	26.4	90
↑	27.8	26.6	30.7	26	23.4	80
	24.8	23.6	27.7	23	20.4	70
NOT AVAILABLE	21.8	20.6	24.7	20	17.4	60
AVAILABLE	18.8	17.6	21.7	17	14.4	50
↑	15.8	14.6	18.7	14	11.4	40
	12.8	11.6	15.7	11	8.4	30
TOOLING STATUS	E	D	C	B	A	POS

THIS DRAWING IS A CONTROLLED DOCUMENT.

DIMENSIONS: mm	TOLERANCES UNLESS OTHERWISE SPECIFIED:	DWN	TE Connectivity			
	0 PLC ± 0.3	CHK				
	1 PLC ± 0.3	APVD				
	2 PLC ± 0.3	PRODUCT SPEC				
	3 PLC ± 0.3	NAME	EMOSS ASSY FH 0.6BTB CONNECTOR PLUG 5H STD TYPE			
	4 PLC ± 0.3	APPLICATION SPEC				
MATERIAL	ANGLES ± 3'	FINISH	SIZE	CAGE CODE	DRAWING NO	RESTRICTED TO
1	2		A3	00779	C-5353692	
CUSTOMER DRAWING			SCALE	SHEET	REV	
			4:1	2 of 2	C	