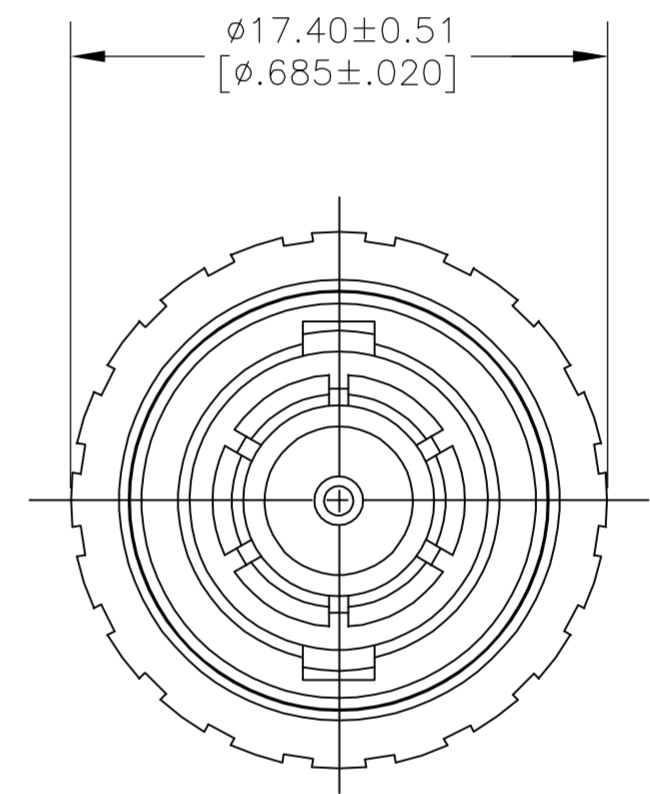
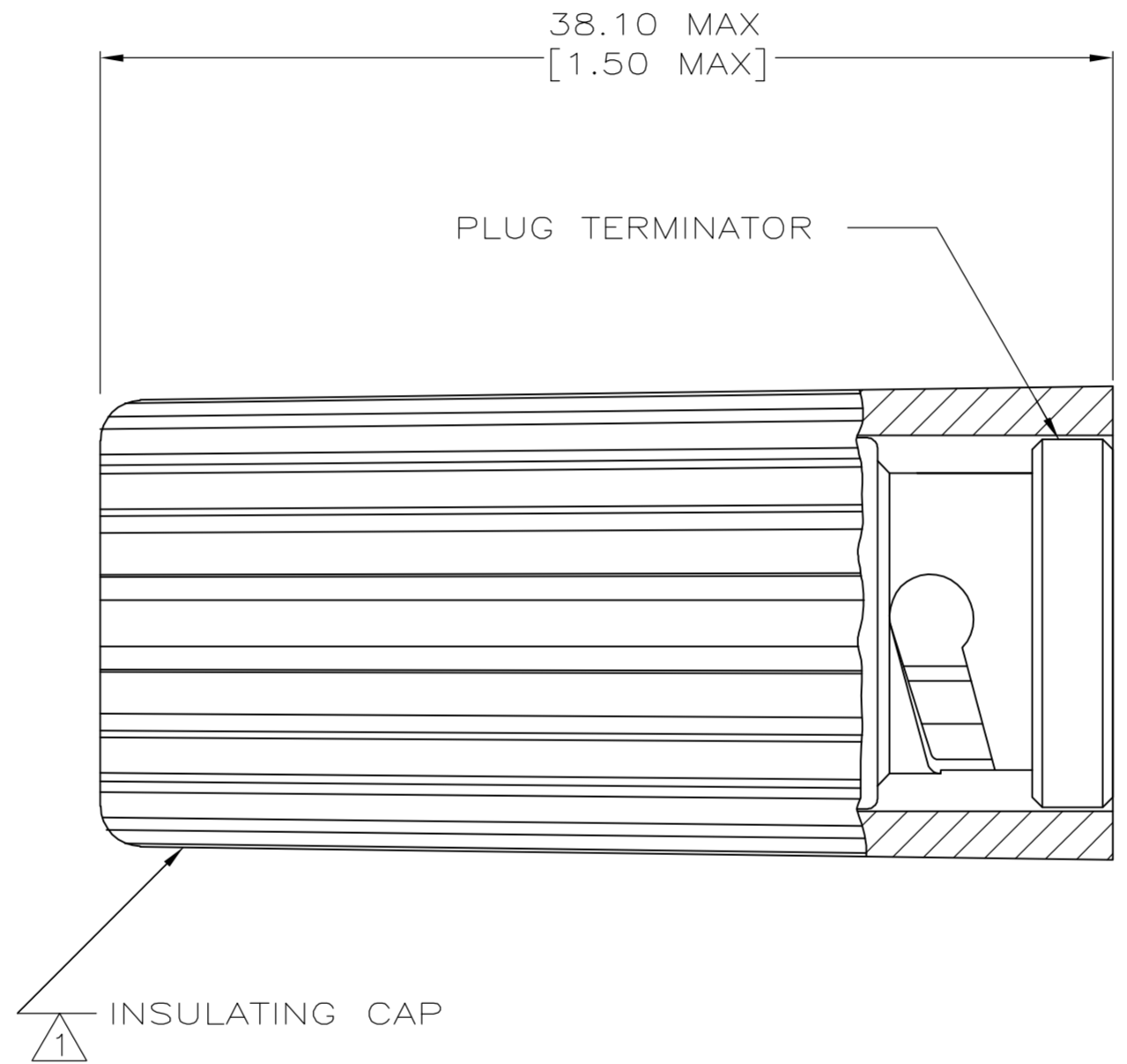
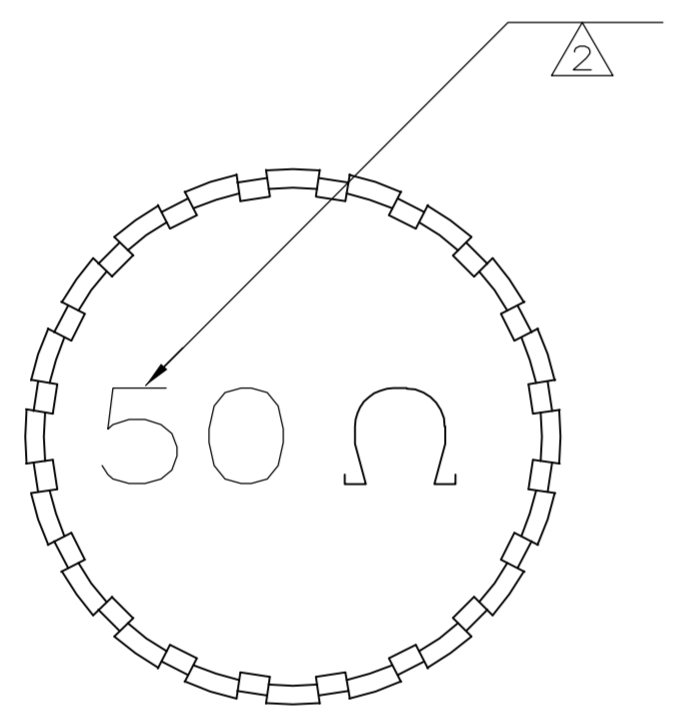


THIS DRAWING IS UNPUBLISHED. RELEASED FOR PUBLICATION
 © COPYRIGHT BY TYCO ELECTRONICS CORPORATION. ALL RIGHTS RESERVED.

LOC	DIST	REVISIONS			
P	LTR	DESCRIPTION	DATE	DWN	APVD
AJ	16	0	RELEASED.	13DEC2005	JGH JL

- 1 POLYPHENYLENE OXIDE, BLACK.
- 2 RESISTOR VALUE IS MOLDED IN INSULATING CAP.
- 3. RESISTOR SPECIFICATIONS:
 - A. 1 WATT
 - B. 1% TOLERANCE
 - C. 50 OHM



5221629-9	5413557-2
PLUG TERMINATOR	PART NUMBER

THIS DRAWING IS A CONTROLLED DOCUMENT.		DWN	J. HAVENER	13DEC2005	Tyco Electronics Corporation Harrisburg, PA 17105-3608	
DIMENSIONS: INCHES		CHK	J. LIPPERT	13DEC2005		
TOLERANCES UNLESS OTHERWISE SPECIFIED:		APVD	J. LIPPERT	13DEC2005		
0 PLC ± - 1 PLC ± - 2 PLC ± - 3 PLC ± - 4 PLC ± - ANGLES ± - FINISH -		PRODUCT SPEC	-	NAME		TERMINATOR, PLUG, INSULATED, 50 OHM, COMMERCIAL BNC
MATERIAL	1	WEIGHT	-	SIZE	A2	
CUSTOMER DRAWING		CAGE CODE	00779	DRAWING NO	C=5413557	
SCALE		4:1	SHEET	1 of 1	REV	0

5413557