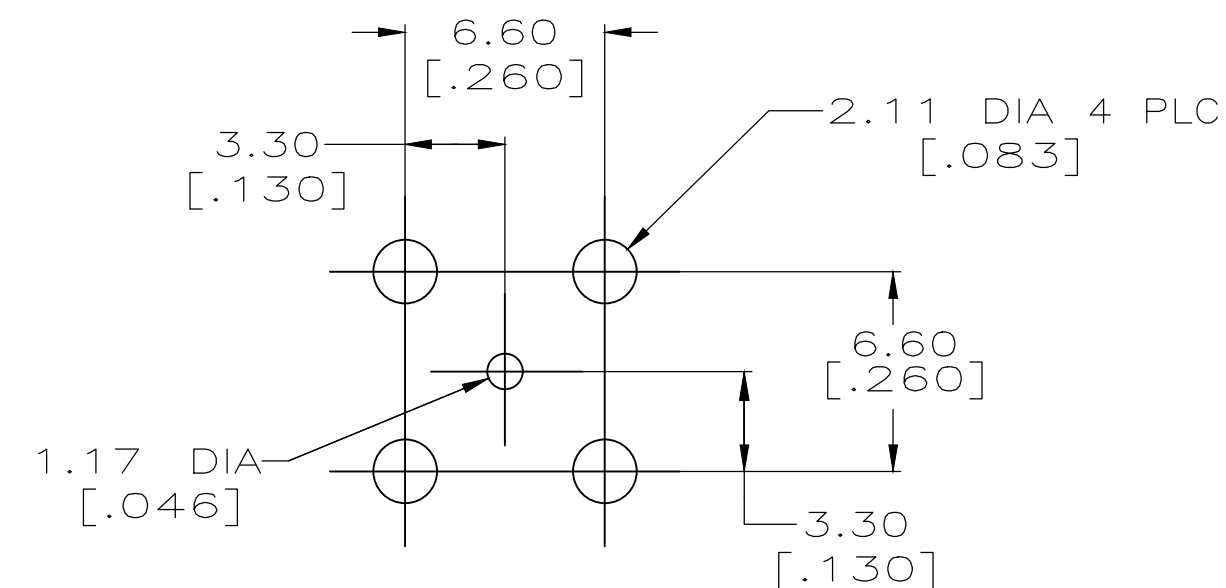
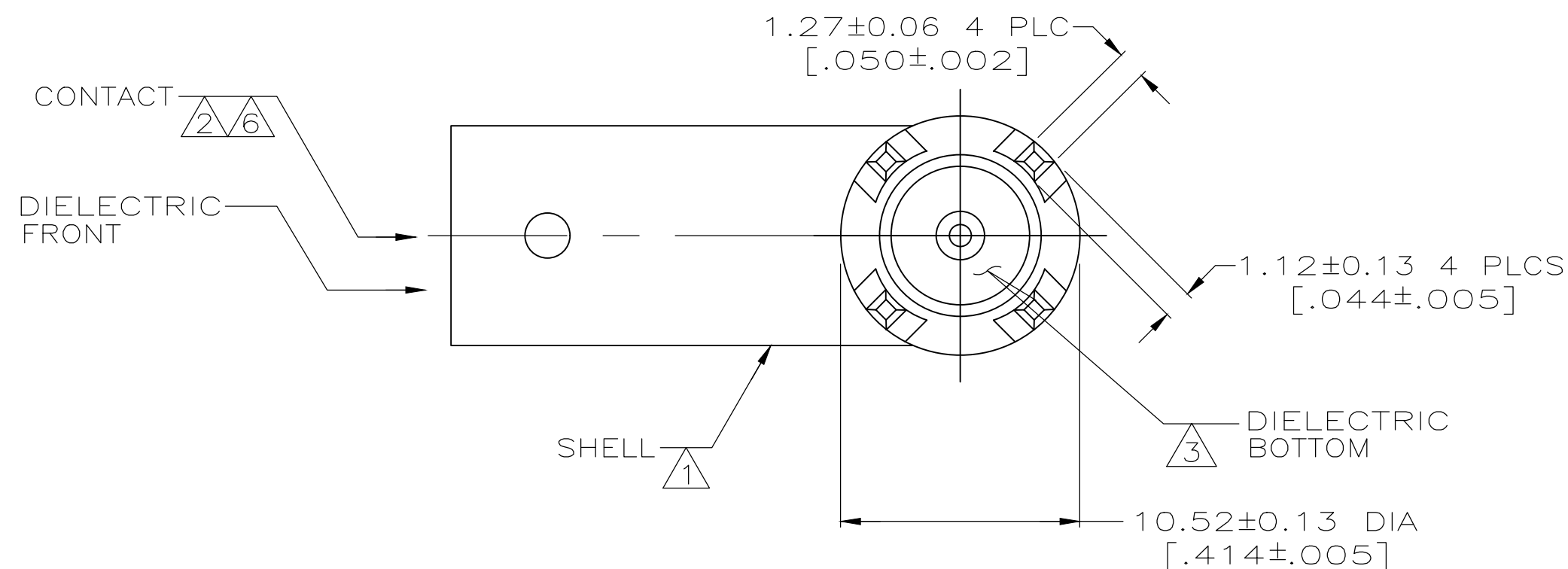
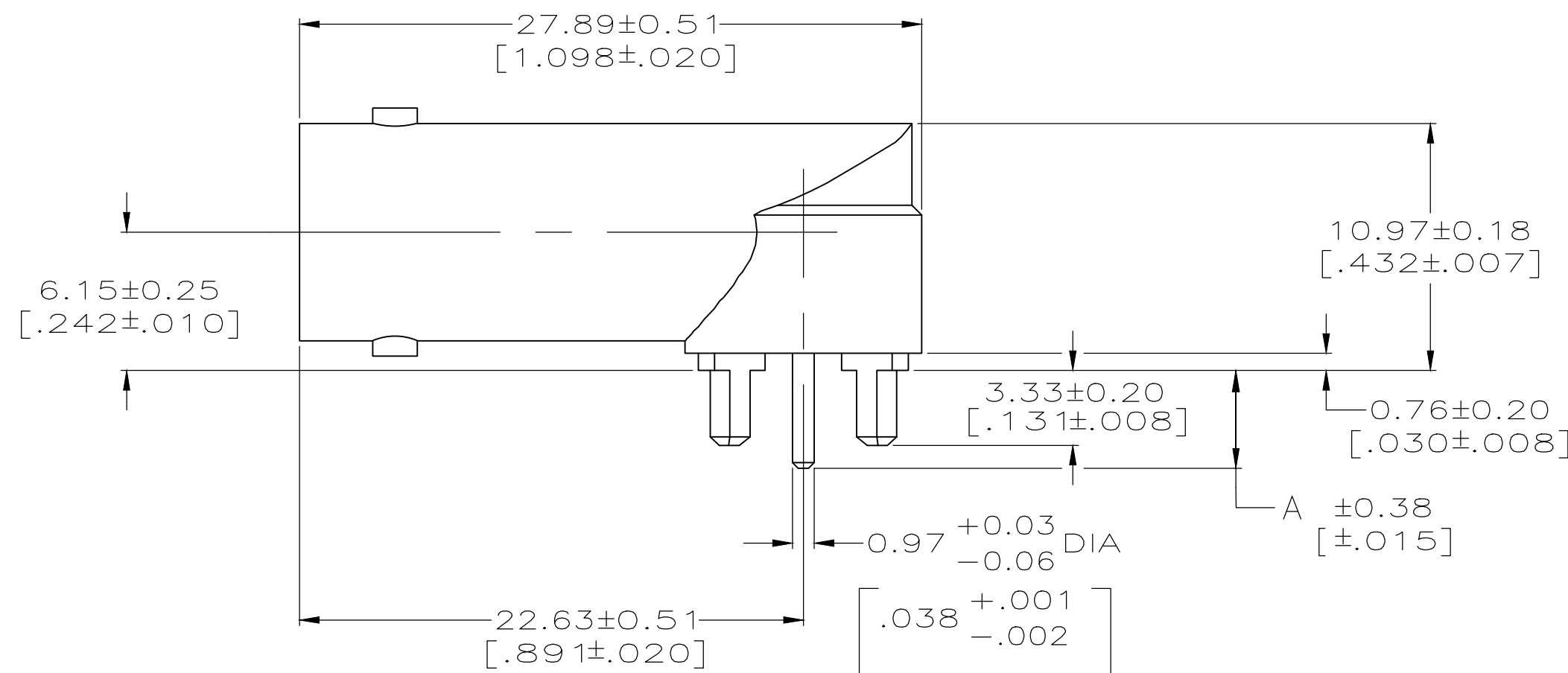


THIS DRAWING IS UNPUBLISHED. RELEASED FOR PUBLICATION
 © COPYRIGHT - By - ALL RIGHTS RESERVED.

REVISIONS				
P	LTR	DESCRIPTION	DATE	APVD
C1		REVISED PER ECR-16-004171	19JAN2020	RZ RS

- ① ZINC PER QQ-Z-363.
- ② BERYLLIUM COPPER PER QQ-C-530.
- ③ PTFE PER MIL-P-19468.
- ④ NICKEL PLATE PER QQ-N-290, 3.81μm [.000150] MINIMUM THICK.
- ⑤ TIN PLATE PER ASTM-B-545, 3.04μm [.000120] MINIMUM THICK OVER NICKEL PLATE PER MIL-C-26074, 7.62μm [.000300] MINIMUM THICK.
- ⑥ GOLD PLATE PER MIL-G-45204, 0.20μm [.000008] MINIMUM THICK.
- ⑦ INTERFACE PER MIL-C-39012.
- ⑧ POLYMETHYLPENTENE, GENERAL PURPOSE



PCB CONFIGURATION

OBSOLETE	3.33 [.131]	④	③	5413631-5
	3.33 [.131]	④	⑧	5413631-3
	4.34 [.171]	⑤	③	5413631-2
	4.34 [.171]	④	⑧	5413631-1
	A	FINISH: SHELL	MATERIAL: DIELECTRIC, FRONT	PART NUMBER

THIS DRAWING IS A CONTROLLED DOCUMENT.		DWN B.MCMMASTER 03JAN05	STE TE Connectivity													
DIMENSIONS: INCHES		CHK J.LIPPERT 03JAN05														
TOLERANCES UNLESS OTHERWISE SPECIFIED:		APVD J.LIPPERT 03JAN05	NAME JACK, RIGHT ANGLE, PCB, 50 OHM, SERIES BNC													
<table border="1"> <tr><td>0 PLC</td><td>± -</td></tr> <tr><td>1 PLC</td><td>± -</td></tr> <tr><td>2 PLC</td><td>± 0.08 [.003]</td></tr> <tr><td>3 PLC</td><td>± -</td></tr> <tr><td>4 PLC</td><td>± -</td></tr> <tr><td>ANGLES</td><td>± -</td></tr> </table>		0 PLC	± -	1 PLC	± -	2 PLC	± 0.08 [.003]	3 PLC	± -	4 PLC	± -	ANGLES	± -	APPLICATION SPEC -	SIZE A2	CAGE CODE 00779
0 PLC	± -															
1 PLC	± -															
2 PLC	± 0.08 [.003]															
3 PLC	± -															
4 PLC	± -															
ANGLES	± -															
MATERIAL SEE NOTES 1-3	FINISH SEE NOTES 4-6	WEIGHT 0.000000	DRAWING NO C=5413631	RESTRICTED TO -												
CUSTOMER DRAWING		SCALE 4:1	SHEET 1 of 1	REV C1												