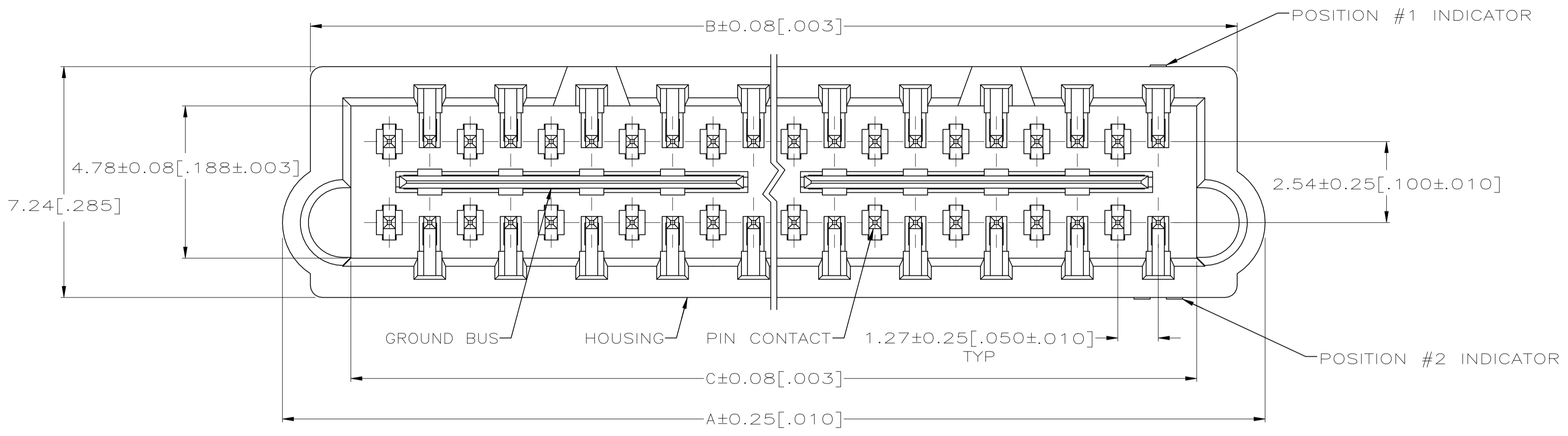
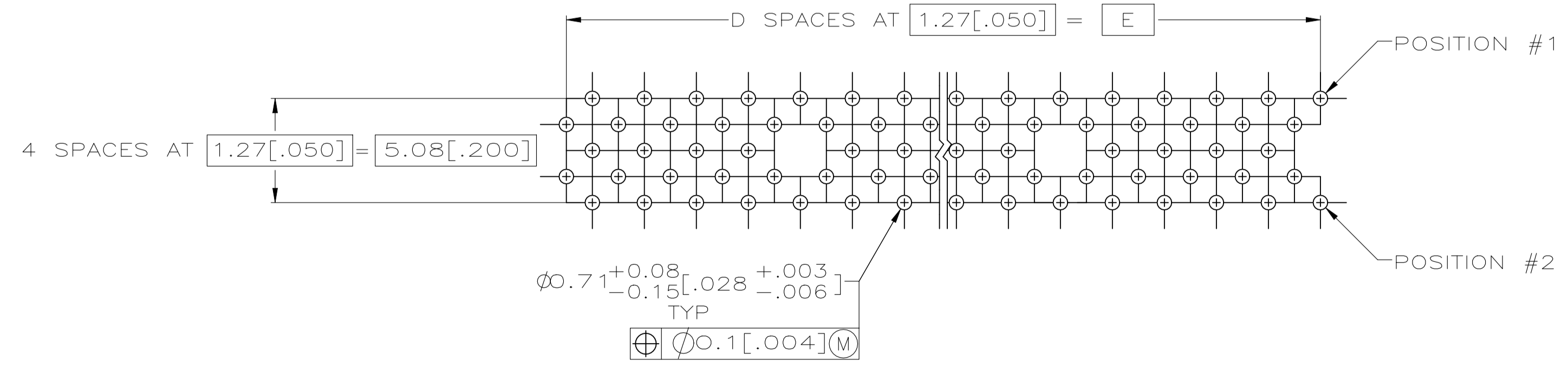
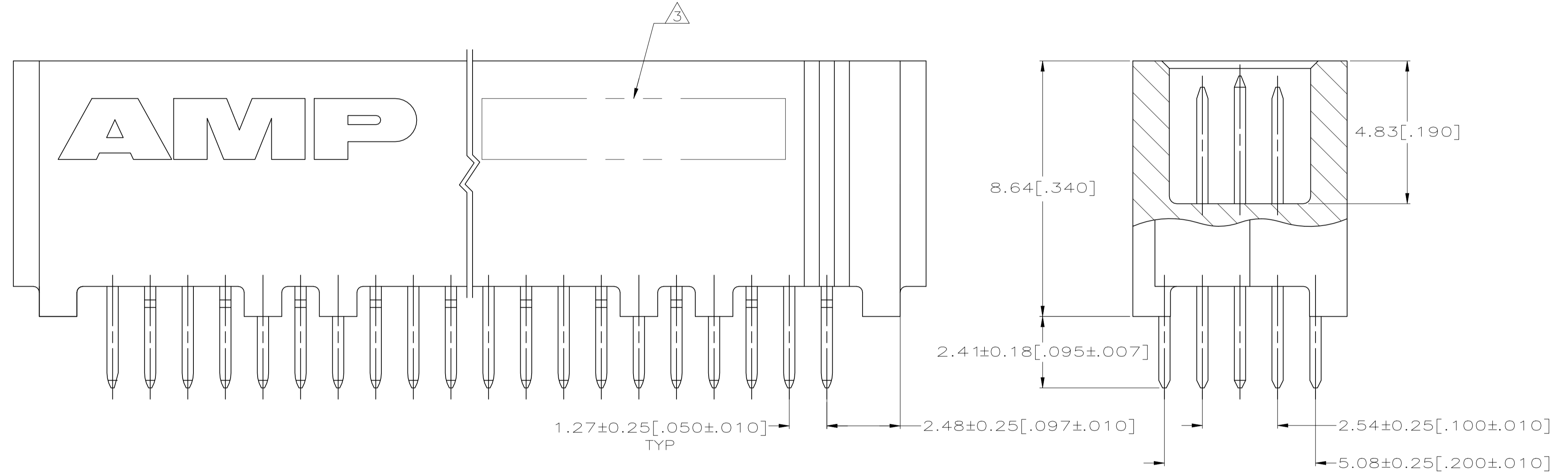


REVISIONS					
REV	DESCRIPTION	DATE	BY	APP'D	
R1	REVISED PER ECN-23-233034	27SEP2023	JG	HL	



- 1 HOUSING: HIGH TEMPERATURE THERMOPLASTIC, COLOR NATURAL.  
PIN CONTACTS: PHOSPHOR BRONZE.  
GROUND BUSES: PHOSPHOR BRONZE.
- 2 CONTACTS & GROUND BUSES: 0.00076(0.00030) MIN. GOLD PER ASTM B 488 ON CONTACT AREA, 0.00254-0.00762(0.00100-.000300) MATTE TIN PER ASTM B 545 ON SOLDER TAIL, ALL OVER 0.00127-0.00254(0.00050-.000100) MATTE NICKEL PER SAE AMS-QQ-N-290 ON ENTIRE CONTACT.
- 3 DATE CODE MARKED IN AREA INDICATED.



OBSOLETE	151.13 [5.950]	119	153.62 [6.048]	156.08 [6.145]	157.84 [6.214]	240	1-5536280-1
OBSOLETE	125.73 [4.950]	99	128.22 [5.048]	130.68 [5.145]	132.44 [5.214]	200	-5536280-9-
OBSOLETE	113.03 [4.450]	89	115.52 [4.548]	117.98 [4.645]	119.74 [4.714]	180	-5536280-8-
OBSOLETE	100.33 [3.950]	79	102.82 [4.048]	105.28 [4.145]	107.04 [4.214]	160	-5536280-7-
OBSOLETE	87.63 [3.450]	69	90.12 [3.548]	92.58 [3.645]	94.34 [3.714]	140	-5536280-6-
OBSOLETE	74.93 [2.950]	59	77.42 [3.048]	79.88 [3.145]	81.64 [3.214]	120	-5536280-5-
OBSOLETE	62.23 [2.450]	49	64.72 [2.548]	67.18 [2.645]	68.94 [2.714]	100	-5536280-4-
OBSOLETE	49.53 [1.950]	39	52.02 [2.048]	54.48 [2.145]	56.24 [2.214]	80	-5536280-3-
OBSOLETE	36.83 [1.450]	29	39.32 [1.548]	41.78 [1.645]	43.54 [1.714]	60	-5536280-2-
OBSOLETE	24.13 [0.950]	19	26.62 [1.048]	29.08 [1.145]	30.84 [1.214]	40	-5536280-1-
	E	D	C	B	A	NO OF POS	PART NUMBER

THIS DRAWING IS A CONTROLLED DOCUMENT.

DIMENSIONS: mm [INCHES]	TOLERANCES UNLESS OTHERWISE SPECIFIED:	DIN G ATTADIA 01-19-05	DATE	01-19-05
0 PLC ± -	1 PLC ± -	DRW D DIXON 01-19-05	NAME	PLUG ASSEMBLY, 10.92[.430] STACK, 2.41[.095] SOLDER TAIL.
2 PLC ± -	3 PLC ± 0.13 [0.005]	APP'D D DIXON 01-19-05	PRODUCT SPEC	108-1272
4 PLC ± -	ANGLES ± -	APPLICATION SPEC	SIZE	A1
MATERIAL	FINISH	WEIGHT	0.000000	SCALE 10:1
		CUSTOMER DRAWING	SCALE 10:1	SHEET 1 of 1

TE Connectivity