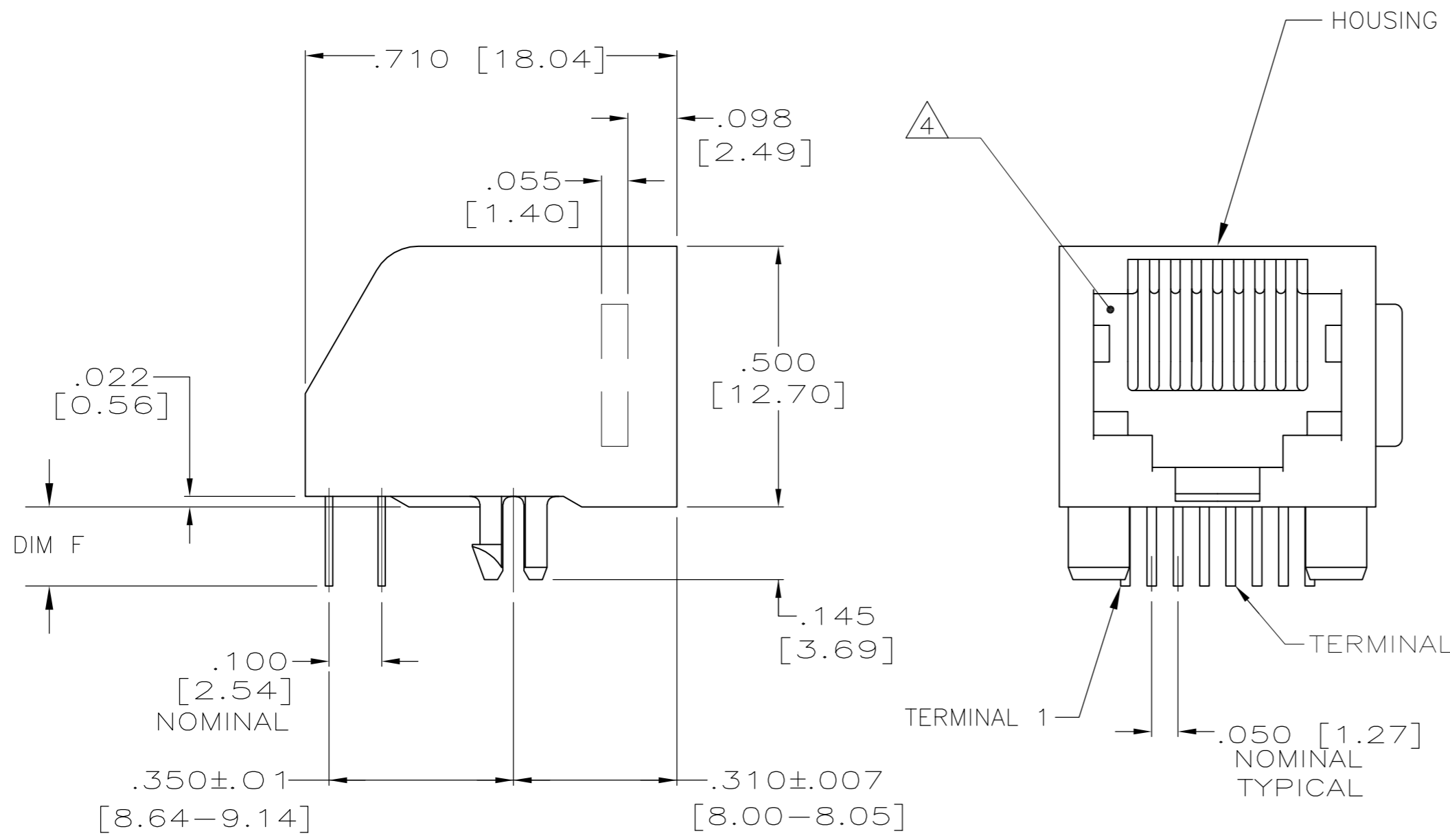
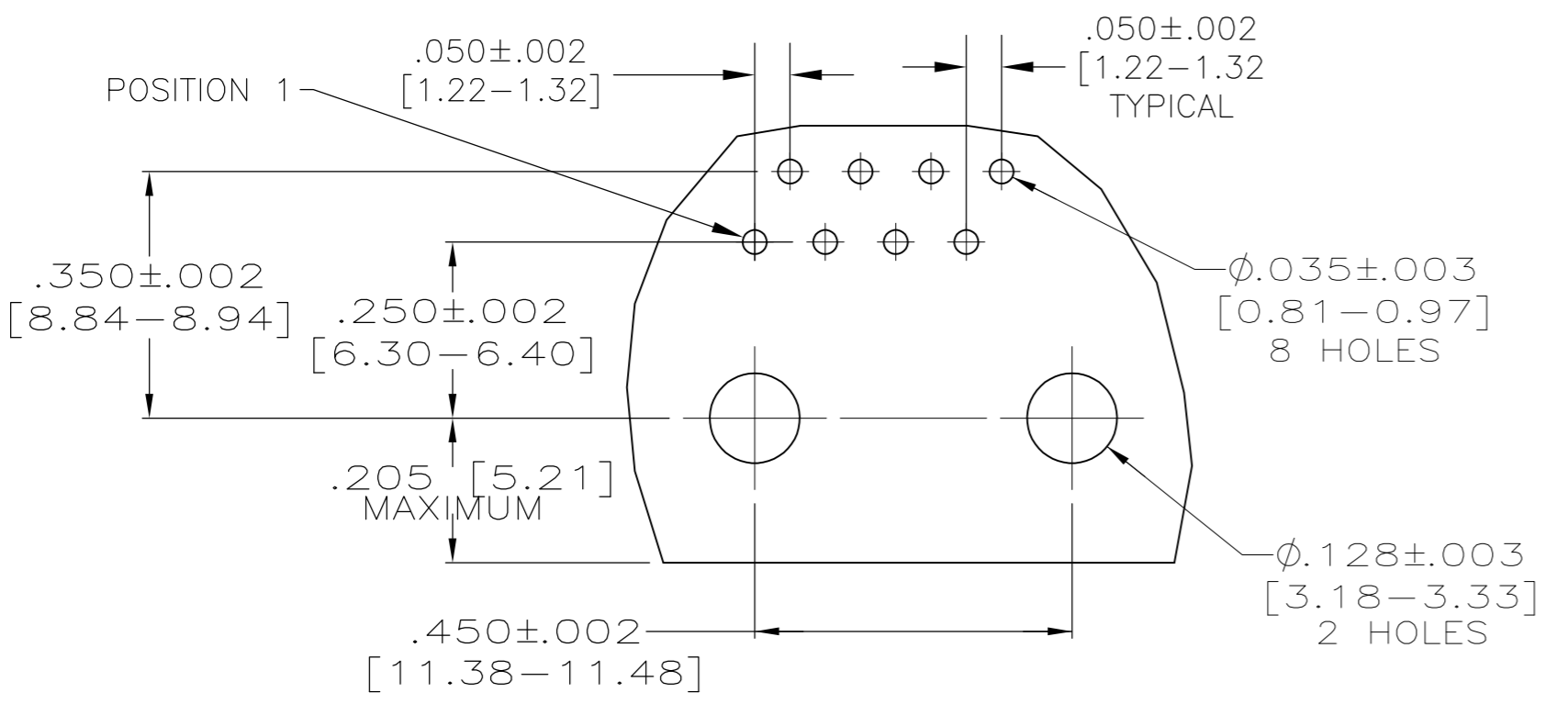
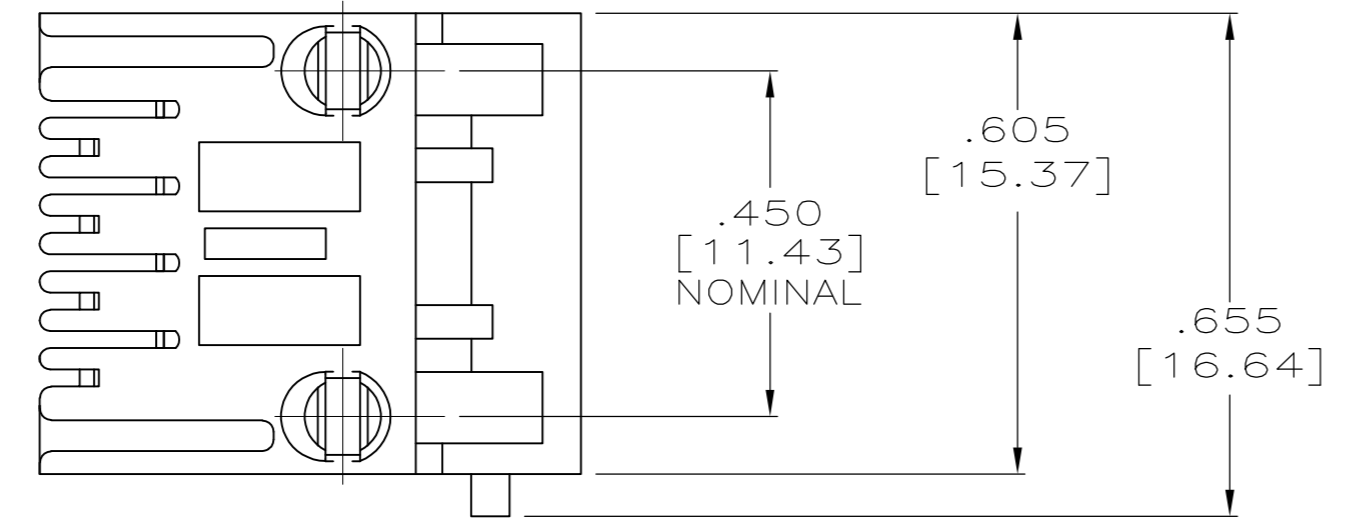


THIS DRAWING IS UNPUBLISHED. RELEASED FOR PUBLICATION  
 © COPYRIGHT BY TYCO ELECTRONICS CORPORATION. ALL INTERNATIONAL RIGHTS RESERVED.

LOC	DIST	REVISIONS					
AA	00	P	LTR	DESCRIPTION	DATE	DWN	APVD
		C		ECO-08-012346	20MAY2008	LAM	PR



- ① DIMENSIONS ARE MAXIMUM UNLESS OTHERWISE SPECIFIED.
- 2. DIMENSIONS IN BRACKETS [] ARE IN MILLIMETERS.
- ③ MATERIAL: HOUSING - PBT POLYESTER, BLACK.  
 TERMINAL - .014[0.36] THICK PHOS-BRONZE PLATED WITH .000050 [1.27μm] MINIMUM THICK HARD GOLD IN LOCALIZED GOLD PLATE AREA AND .000150 [3.81μm] MINIMUM THICK MATTE TIN IN SOLDER AREA OVER .000050 [1.27μm] MINIMUM THICK NICKEL UNDERPLATE.
- ④ CAVITY CONFORMS TO FCC RULES AND REGULATIONS PART 68, SUBPART F.



SUGGESTED PRINTED CIRCUIT BOARD LAYOUT  
 COMPONENT SIDE

.11±.01 [2.79±0.25]	5555987-2
.15±.02 [3.81±0.51]	5555987-1
DIM F	PART NO

THIS DRAWING IS A CONTROLLED DOCUMENT.		DWN G. ATTADIA - DOCK5 09JUN2005	Tyco Electronics Corporation Harrisburg, PA 17105-3608	
DIMENSIONS: mm[INCHES]		CHK J. WESTMAN 09JUN2005	NAME S. FLICKINGER	
TOLERANCES UNLESS OTHERWISE SPECIFIED:		APVD S. FLICKINGER 09JUN2005	PRODUCT SPEC 108-1163	
0 PLC ± -	1 PLC ± -	APPLICATION SPEC 114-2048		
2 PLC ± -	3 PLC ± -	SIZE A2	CAGE CODE 00779	DRAWING NO C=5555987
4 PLC ± -	ANGLES ± -	WEIGHT -	RESTRICTED TO -	SCALE 4:1
MATERIAL SEE NOTE 3	FINISH SEE NOTE 3	CUSTOMER DRAWING		
		SHEET 1 of 1	REV C	