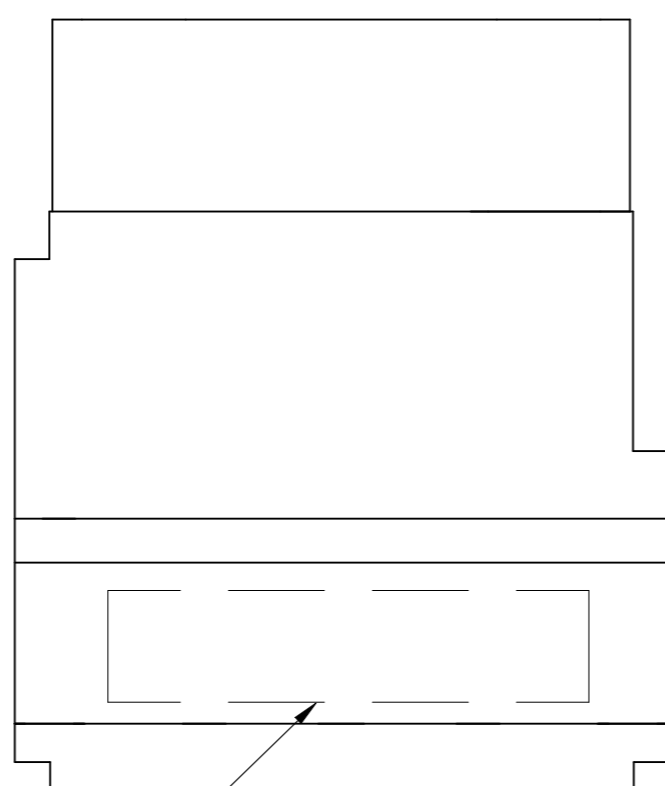
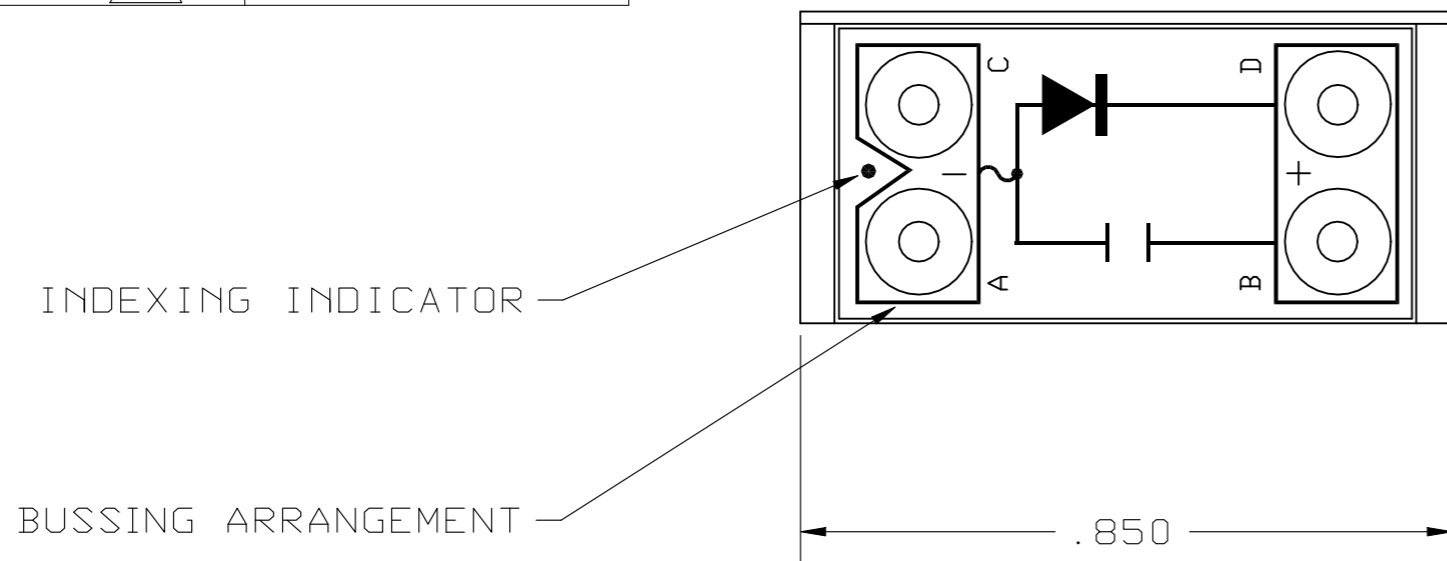


DESCRIPTION	MATERIAL	FINISH
MODULE ASSEMBLY	D.A.P. PER MIL-M14	COLOR: GREEN
GROMMET	FLOURSILICONE 70/30 PER MIL-R-25988	COLOR: GREEN
CONTACT SOCKET	BERYLLIUM COPPER ASTM-B194	GOLD PLATE PER MIL-G-45204
RETAINING CLIP	BERYLLIUM COPPER ASTM-B194 OR STAINLESS STEEL PER QQ-S-766	NONE
DIODE	JAN1N5618 ²	NONE

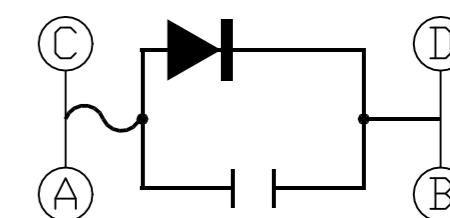
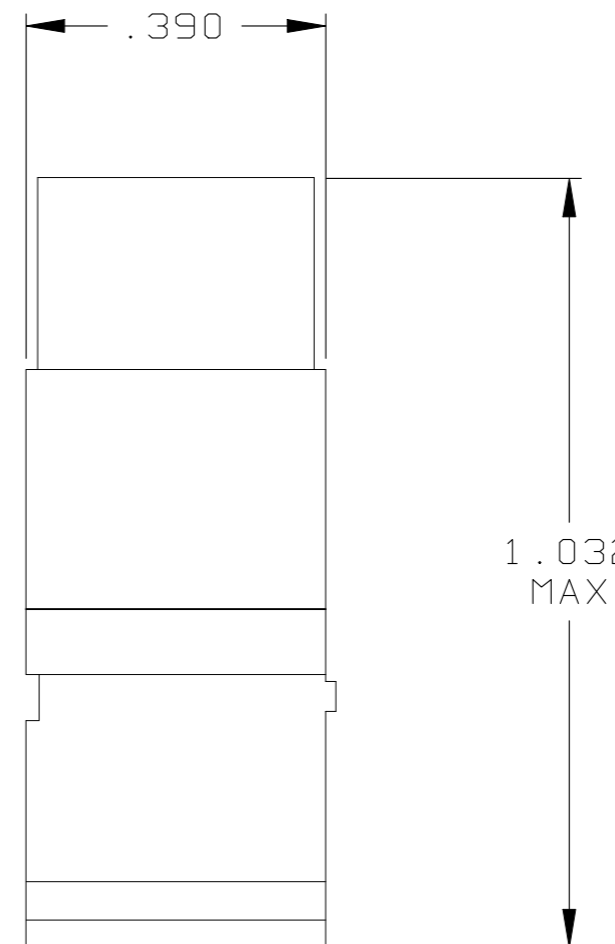
P	LTR	DESCRIPTION	DATE	OWN	APVD
J		REV PER ECN-24-271665	21JUN2024	LP	YL

¹ MARK MODULE ASSEMBLY WITH "AMP", AMP PART NO. AND DATE CODE .060 MINIMUM CHARACTERS PER 115-10002-2.

² DIODE MQ1N5618, MX1N5618 OR MXV15618 MAY BE SUBSTITUTED FOR JAN1N5618. DIODE MAY BE A COMMERCIAL DIODE THAT HAS BEEN UP-SCREENED TO MEET THE REQUIREMENTS OF JAN1N5618



¹



SCHEMATIC DIAGRAM

591891

591891-1
PART NUMBER

THIS DRAWING IS A CONTROLLED DOCUMENT.		OWN V. FURLER 24AUG05		
DIMENSIONS: INCHES		CHK C. THOMAS 24AUG05		
TOLERANCES UNLESS OTHERWISE SPECIFIED:		APVD D. EABY 24AUG05	NAME REMOVABLE MODULE BLOCK WITH FUSE DIODE & CAPACITOR	
0 PLC ± -		PRODUCT SPEC	SIZE CAGE CODE DRAWING NO RESTRICTED TO	
1 PLC ± -		APPLICATION SPEC	A200779 C=591891	
2 PLC ± -		WEIGHT	SCALE 4:1 SHEET 1 OF 1 REV J	
3 PLC ± .005		CUSTOMER DRAWING		
4 PLC ± -				
ANGLES ± -				
MATERIAL				
FINISH				