

4

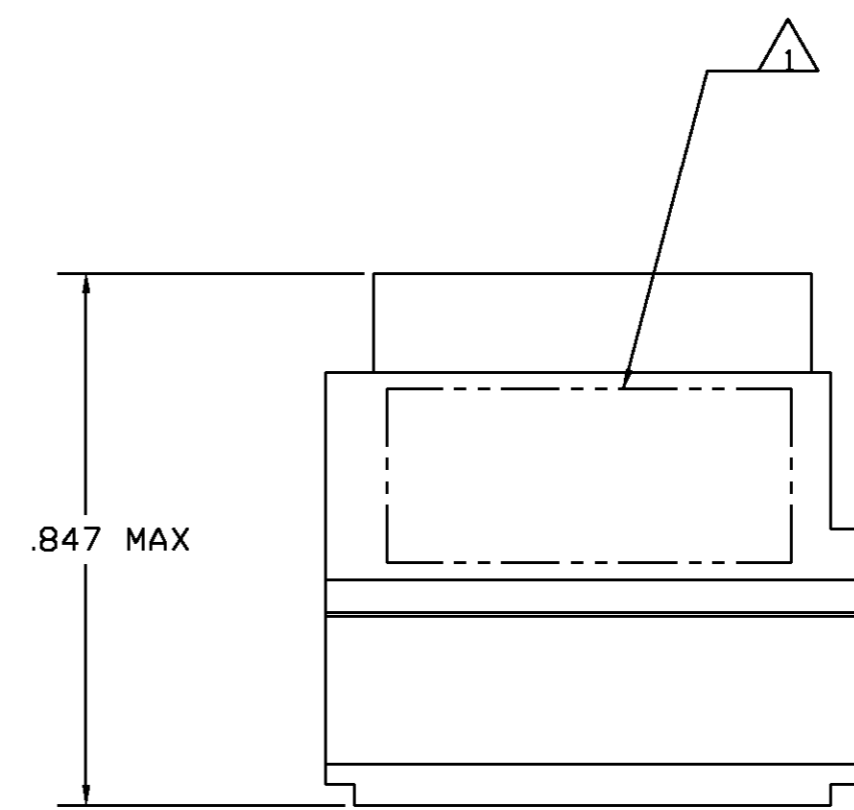
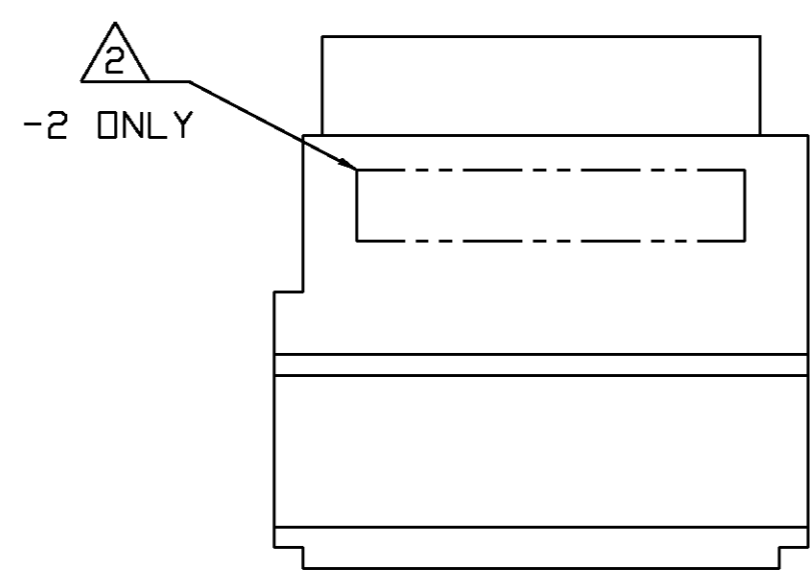
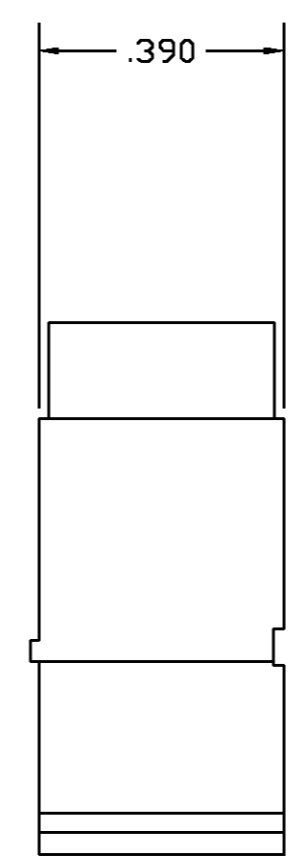
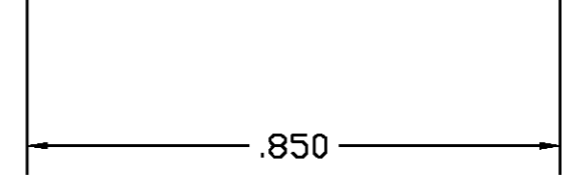
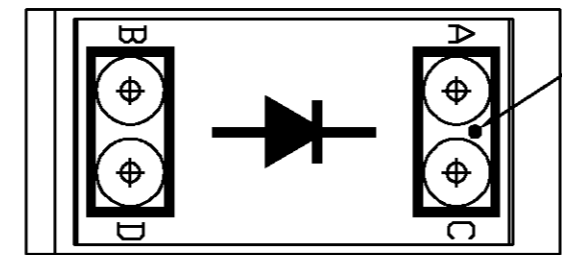
3

2

1

| THIS DRAWING IS UNPUBLISHED. RELEASED FOR PUBLICATION. | | |
|---|--|----------------------------|
| COPYRIGHT BY TYCO ELECTRONICS CORPORATION. ALL RIGHTS RESERVED. | | |
| DESCRIPTION | MATERIAL | FINISH |
| MODULE ASSEMBLY | D.A.P. PER MIL-M14 | COLOR: GREEN |
| GROMMET | FLOURSILICONE 40/50 PER MIL-R-25988 | COLOR: GREEN |
| CONTACT SOCKET | BERYLLIUM COPPER ASTM-B194 | GOLD PLATE PER MIL-G-45204 |
| RETAINING CLIP | BERYLLIUM COPPER ASTM-B194 OR STAINLESS STEEL PER QQ-S-766 | NONE |
| DIODE | JANTX1N5618 | NONE |
| SEALING PLUGS QTY 2 | F.E.P. PER MIL-P-19468 | COLOR: RED |
| PIN CONTACTS QTY 4 | COPPER ALLOY PER MIL-C-39029-1 | GOLD PLATE PER MIL-G-45204 |

| LOC | DIST | REVISIONS | | | | | |
|-----|------|-----------|-----|----------------------|------|-----|------|
| DF | AO | P | LTR | DESCRIPTION | DATE | DWN | APVD |
| | | A | | REV PER OG3D-0185-00 | 8-00 | CT | DM |



1 MARK MODULE ASSEMBLY WITH "AMP", AMP PART NO. AND DATE CODE

2 MARK MODULE ASSEMBLY WITH CUSTOMER PART NO.

| | | |
|-------------|----------------------|-----------------|
| JANTX1N5618 | 525-11207-3 | 591895-2 |
| JANTX1N5618 | ----- | 591895-1 |
| TYPE | CUSTOMER PART NUMBER | AMP PART NUMBER |

| | | | | | | |
|--|--|------------------|---|-----------|---------------------------|---------------|
| THIS DRAWING IS A CONTROLLED DOCUMENT. | | DWN | 30AUG00 | | AMP Incorporated | |
| | | CHK | N. FRITZ | 1-31-94 | Harrisburg, PA 17105-3608 | |
| | | APV | R. RYAN | 1-31-94 | NAME | |
| | | PRODUCT SPEC | MODULE FEED-BACK ASSEMBLY, SIZE 20, TJ WITH JANTX1N5618 DIODE | | | |
| | | APPLICATION SPEC | - | | | |
| | | WEIGHT | SIZE | CAGE CODE | DRAWING NO | RESTRICTED TO |
| | | - | A2 | 00779 | C-591895 | - |
| | | CUSTOMER DRAWING | SCALE | 1:1 | SHEET | 1 OF 1 |
| | | | | | | REV A |

591895