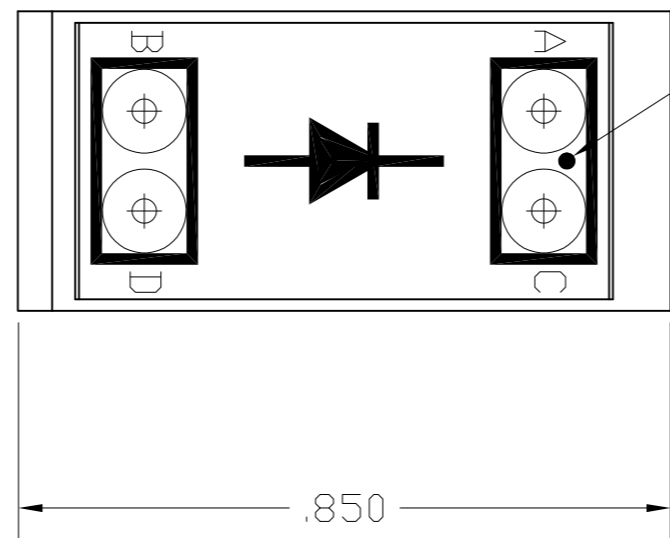


THIS DRAWING IS UNPUBLISHED. RELEASED FOR PUBLICATION
 © COPYRIGHT BY TYCO ELECTRONICS CORPORATION. ALL RIGHTS RESERVED.

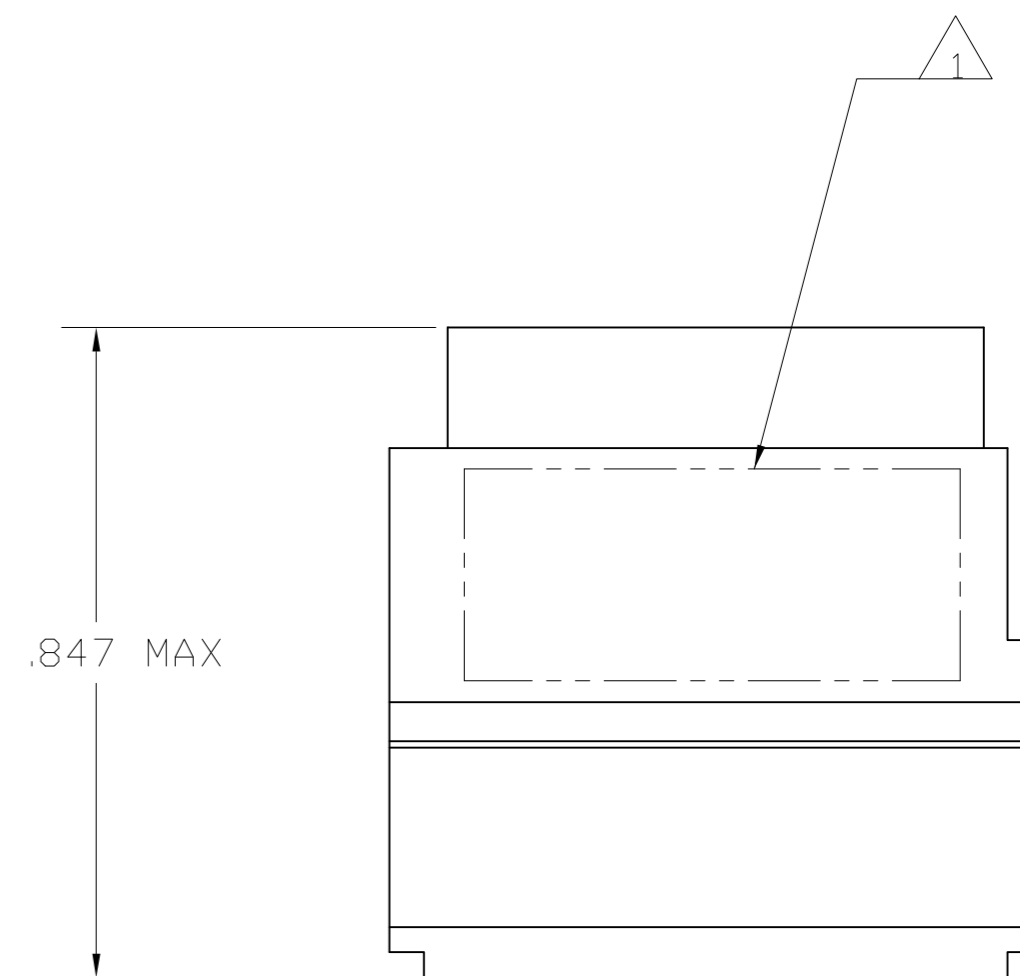
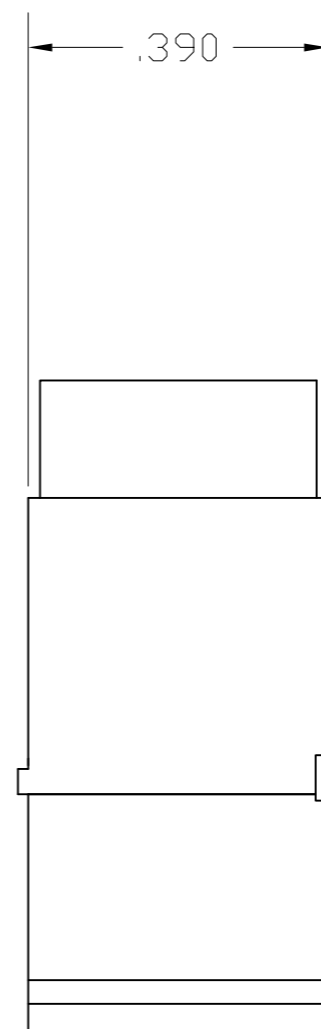
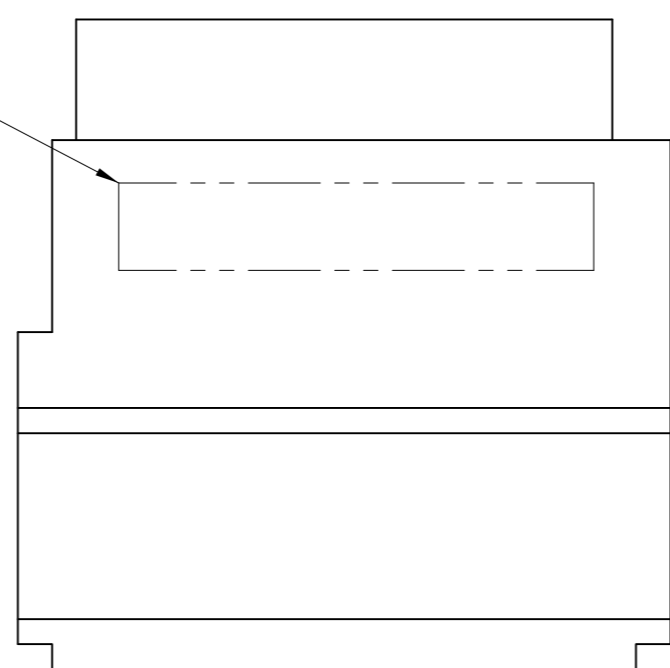
| LDC | | DIST | | REVISIONS | | | |
|-----|----|------|-----|-----------------------|---------|-----|------|
| DF | AO | P | LTR | DESCRIPTION | DATE | DWN | APVD |
| | | C | | REV PER ECD 08-008633 | 4-29-08 | CT | DE |

| DESCRIPTION | MATERIAL | FINISH |
|--|--|-------------------------------|
| MODULE ASSEMBLY | D.A.P. PER MIL-M14 | COLOR: GREEN |
| GROMMET | FLOURSILICONE 40/50 PER MIL-R-25988 | COLOR: GREEN |
| CONTACT SOCKET | BERYLLIUM COPPER ASTM-B194 | GOLD PLATE PER MIL-G-45204 |
| RETAINING CLIP | BERYLLIUM COPPER ASTM-B194 OR STAINLESS STEEL PER QQ-S-766 | NONE |
| DIODE | JANTX1N5552 ³ | NONE |
| SEALING PLUGS QTY 2 | F.E.P. PER MIL-P-19468 | COLOR: RED |
| PIN CONTACT QTY = 4 P/N M39029/1-101 | COPPER ALLOY PER MIL-C-39029 | GOLD PLATE PER MIL-G-45204 |



INDEXING INDICATOR

²
-2 ONLY



- ¹ MARK MODULE ASSEMBLY WITH "AMP", AMP PART NO. AND DATE CODE
- ² MARK MODULE ASSEMBLY WITH CUSTOMER PART NO.
- ³ DIODE MAY BE A COMMERCIAL DIODE THAT HAS BEEN SCREENED TO MEET THE REQUIREMENTS OF JANTX1N5552.

| | | |
|-------------|----------------------|-----------------|
| JANTX1N5552 | 525-11207-4 | 591896-2 |
| JANTX1N5552 | ----- | 591896-1 |
| TYPE | CUSTOMER PART NUMBER | AMP PART NUMBER |

| DIMENSIONS INCHES | | TOLERANCES UNLESS OTHERWISE SPECIFIED: | | MATERIAL | | FINISH | |
|-------------------|--------|--|--------|-----------|-----------|------------------|--------|
| 0 PLC | ± - | 0 | ± - | SEE TABLE | SEE TABLE | WEIGHT | - |
| 1 PLC | ± - | 1 | ± - | | | CUSTOMER DRAWING | |
| 2 PLC | ± - | 2 | ± - | | | SCALE | 4: 1 |
| 3 PLC | ± .005 | 3 | ± .005 | | | SHEET | 1 OF 1 |
| 4 PLC | ± - | 4 | ± - | | | REV | C |
| ANGLES | ± - | | | | | | |

| THIS DRAWING IS A CONTROLLED DOCUMENT. | | DWN | | 30AUG00 | | Tyco Electronics Corporation | |
|--|--|------------------|--|---------|--|---|--|
| N. FRITZ | | CHK | | 1-31-94 | | Harrisburg, PA 17105-3608 | |
| R. RYAN | | APVD | | 1-31-94 | | NAME | |
| R. RYAN | | PRODUCT SPEC | | - | | MODULE FEED-BACK ASSEMBLY, SIZE 20, TJ WITH JANTX1N5552 DIODE | |
| - | | APPLICATION SPEC | | - | | SIZE | |
| - | | - | | - | | CAGE CODE | |
| - | | - | | - | | DRAWING NO | |
| - | | - | | - | | RESTRICTED TO | |
| - | | - | | - | | - | |