


THIS DRAWING IS UNPUBLISHED. RELEASED FOR PUBLICATION
 © COPYRIGHT - BY TYCO ELECTRONICS CORPORATION. ALL RIGHTS RESERVED.

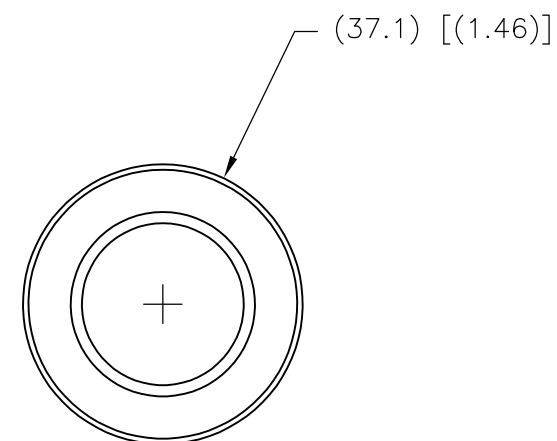
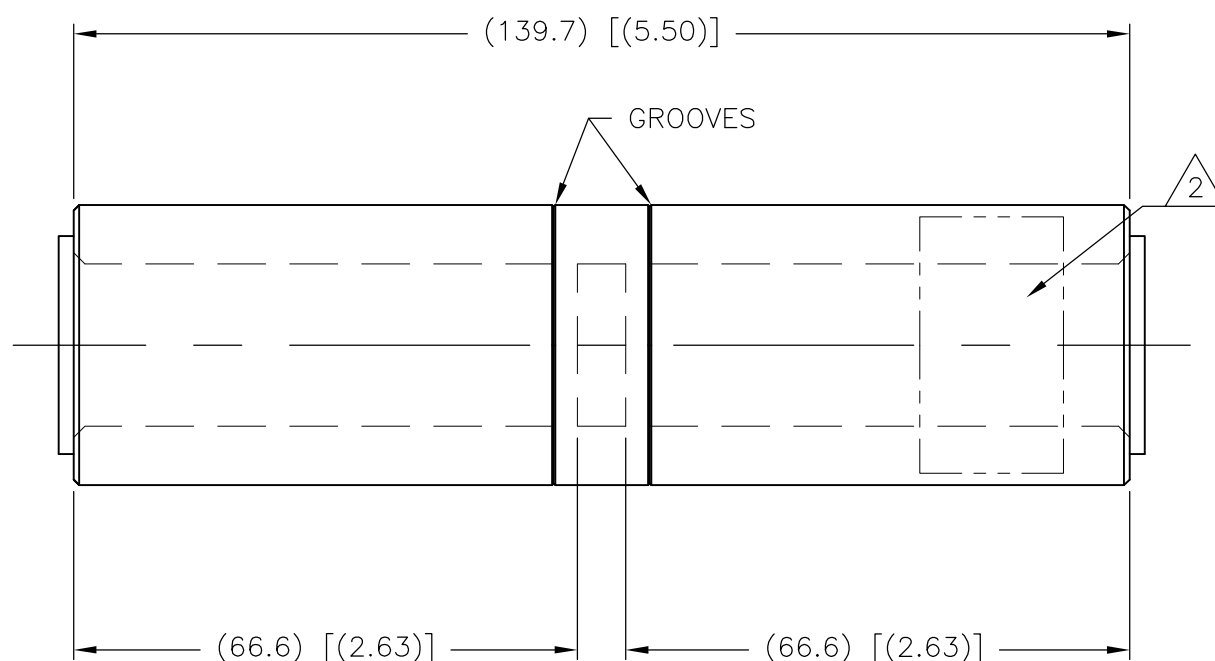
LOC	DIST	REVISIONS			
P	LTR	DESCRIPTION	DATE	DWN	APVD
GA	1	A	PER LC20-0286-07 / EC0-07-029231	11DEC07	DM BJ

- ACCOMMODATES:
 477KCM ϕ 20.14[ϕ .793] ASC
 500KCM ϕ 20.65[ϕ .813 CU OR ASC
 477KCM 18/1 STR ϕ 20.68[ϕ .814] ACSR
 397.5KCM 26/7 STR ϕ 19.89[ϕ .783]
 OR 30/7 STR ϕ 20.47[ϕ .806] ACSR


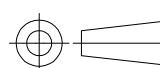
2 LETTERING:


 KSN050PTN
 477-500KCM AL-CU
 397.5KCM 26/7,30/7ACSR
 CSA 30 [D/C]

- CONNECTOR IS 1/4 FILLED WITH INHIBITOR AND CAPPED
- ALL DIMENSIONS ARE FOR REFERENCE ONLY



KSN050PTN	6-1199018-5
CAT. P/N	PART NO.

THIS DRAWING IS A CONTROLLED DOCUMENT.		DWN D ROBITAILLE 26 MAY 05	 Tyco Electronics Corporation Markham, ON L3R 1E1	
DIMENSIONS: MM [INCHES]		CHK A BULZA 30 SEP 05		
TOLERANCES UNLESS OTHERWISE SPECIFIED:		APVD B JOHNSON 03 OCT 05	NAME COMPRESSION SPLICE CONNECTOR, ALUMINUM, 477 - 500KCM ASC	
		PRODUCT SPEC	RESTRICTED TO	
MATERIAL AL ALLOY		FINISH TIN PLATE	APPLICATION SPEC	SIZE A3
		WEIGHT	CAGE CODE 00779	DRAWING NO 6-1199018-5
		CUSTOMER DRAWING	SCALE NTS	SHEET 1 OF 1
			REV A	