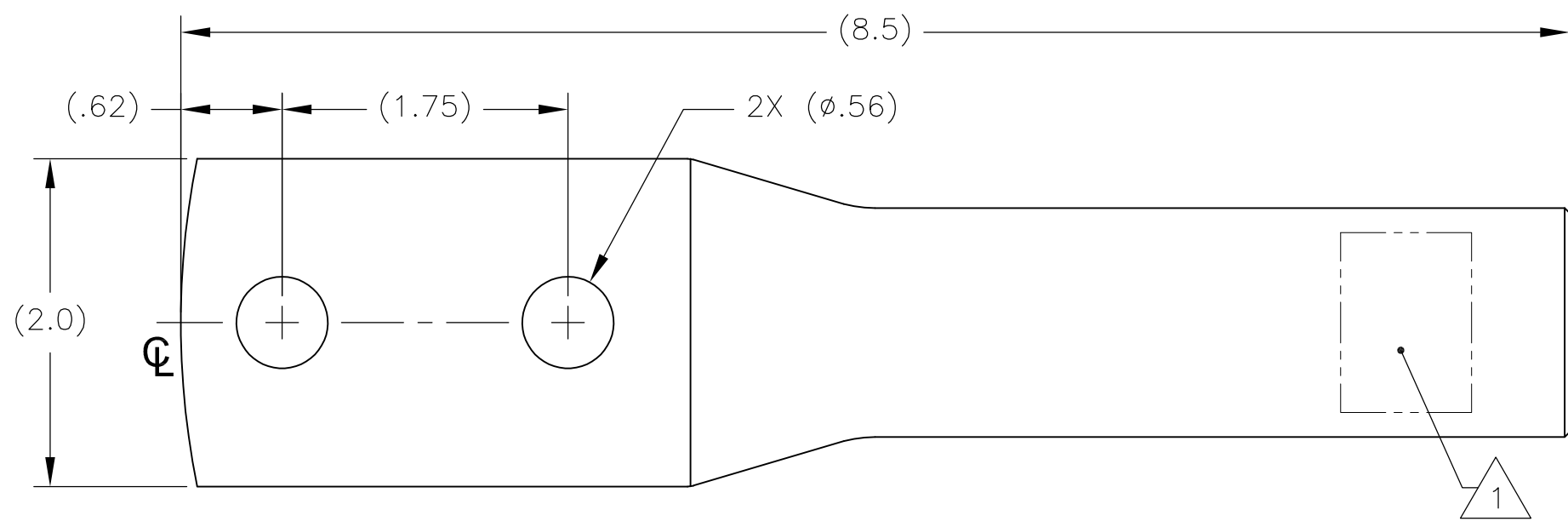
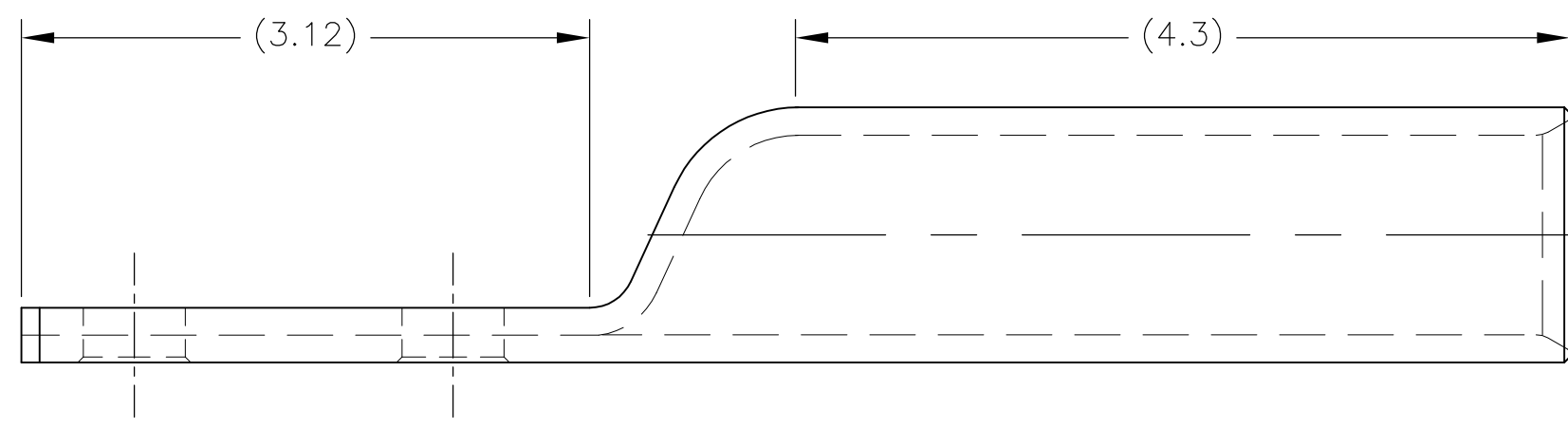


THIS DRAWING IS UNPUBLISHED.      RELEASED FOR PUBLICATION  
 © COPYRIGHT - -      ALL RIGHTS RESERVED.

REVISIONS					
P	LTR	DESCRIPTION	DATE	DWN	APVD
	C	LC20-0024-13 / ECO-13-003266	20FEB2013	DM	BJ
	C1	LC20-0097-16 / ECO-16-013619	16SEP2016	JG	BJ



- 1 MARKING:  
**STE**  
 CKLE0502NTN  
 500 KCMIL 427/5054  
 CSA 28 CU  
 [DATE CODE]
2. ACCOMMODATES:  
 500 KCMIL 427 STR, 5054 STR  
 EXTRA FLEX CONDUCTORS.
3. HARDNESS:  
 SOFT TEMPERED.



10694	L877	CKLE0502NTN	6-1199019-9
H.O. NO.	O.H. SPEC	CATALOG NO.	PART NO.

THIS DRAWING IS A CONTROLLED DOCUMENT.		DWN D. ROBITAILLE 28SEP2002	<b>STE</b> TE Connectivity													
DIMENSIONS: INCHES		CHK A. BULZA 08JAN2003														
TOLERANCES UNLESS OTHERWISE SPECIFIED:		APVD B. JOHNSON 08JAN2003	NAME													
<table border="0"> <tr><td>0 PLC</td><td>±</td></tr> <tr><td>1 PLC</td><td>±</td></tr> <tr><td>2 PLC</td><td>±</td></tr> <tr><td>3 PLC</td><td>±</td></tr> <tr><td>4 PLC</td><td>±</td></tr> <tr><td>ANGLES</td><td>± -</td></tr> </table>		0 PLC	±	1 PLC	±	2 PLC	±	3 PLC	±	4 PLC	±	ANGLES	± -	PRODUCT SPEC	COPRESSION LUG, COPPER, TWO HOLE NEMA PAD, 500 KCMIL EXTRA FLEX CONDUCTORS	
0 PLC	±															
1 PLC	±															
2 PLC	±															
3 PLC	±															
4 PLC	±															
ANGLES	± -															
MATERIAL ETP COPPER		FINISH ELECTRO-TIN PLATED	APPLICATION SPEC	RESTRICTED TO												
		WEIGHT	SIZE A3	CAGE CODE 0779												
		CUSTOMER DRAWING	DRAWING NO C-6-1199019-9	RESTRICTED TO -												
		SCALE NTS	SHEET 1 OF 1	REV C1												