

LOC	DIST	REVISIONS					
		P	LTR	DESCRIPTION	DATE	DWN	APVD
A1	-		A	EG00-2549-01	29AUG2001	SS	JE

REFER TO CUSTOMER DRAWING
1418066


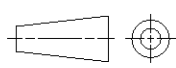
Siehe Kundenzeichnung
1418066

2000

RELEASED FOR PUBLICATION

THIS DRAWING IS UNPUBLISHED.

© COPYRIGHT 2000 BY TYCO ELECTRONICS CORPORATION. ALL RIGHTS RESERVED.

DIMENSIONS: mm	DWN S.Storch	29AUG2001	MATERIAL	-	FINISH	-
	CHK J.Evans	29AUG2001	 tyco Electronics AMP GmbH D - 64625 Bensheim			
TOLERANCES UNLESS OTHERWISE SPECIFIED:	APVD J.Evans	29AUG2001				
0 PLC ±	PRODUCT SPEC		NAME 1,6 SYSTEM 2 WAY CONNECTOR, MALE, BLUE			
1 PLC ±	-					
2 PLC ±	APPLICATION SPEC		SIZE	CAGE CODE	DRAWING NO	RESTRICTED TO
3 PLC ±	-		A 4	00779	C=6-1437710-0	-
4 PLC ±	WEIGHT		-			
ANGLES ±°	-		CUSTOMER DRAWING			
		SCALE		1:1	SHEET	1 OF 1
		REV		A		