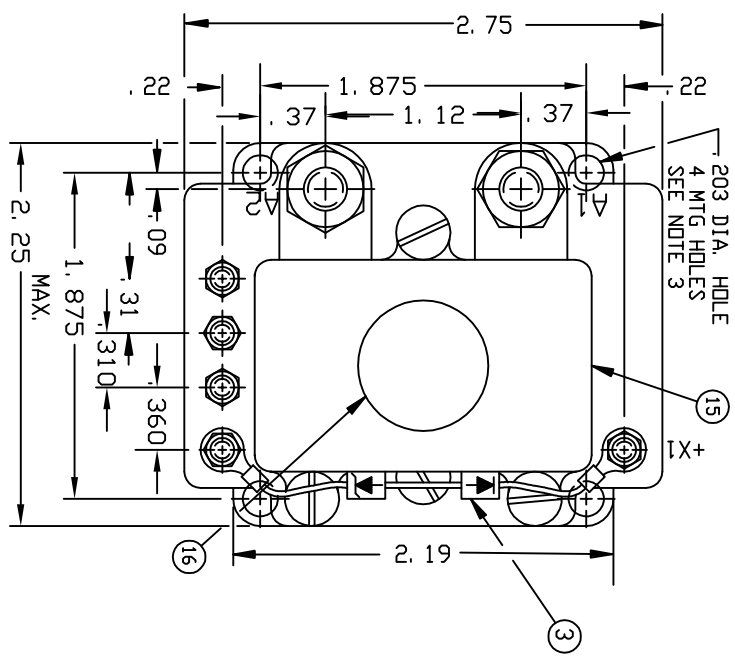


REV	DESCRIPTION	DATE	APPROVED
1	RELEASED	11-10-87	
2	REVISIONS		
D	21709 ADDED "SILASTIC SEALED" TO CONSTRUCTION	92/01/10	KM
E	42109 NOTE 3 & FIND NOS 13 & 14 ADDED	00/03/31	RS
F	13-911798 ADDED ITEMS 15 & 16, ITEM 7 WAS 50407-344	13/07/19	MDM



CONSTRUCTION  
GASKET SEALED,  
SILASTIC SEALED

MAIN CONTACTS  
CONFIGURATION  
VOLTAGE (NDM )  
CURRENT RES.

AUXILIARY CONTACTS  
CONFIGURATION  
VOLTAGE  
CURRENT RES.

COIL DATA  
MAX OPERATE  
MIN OPERATE  
PICKUP AT 25°C  
DROPOUT  
RES AT 25°C  
DUTY CYCLE

ENVIRONMENTAL DATA  
AMBIENT TEMP  
VIBRATION  
LIFE ELECTRICAL  
LIFE MECHANICAL  
WEIGHT MAX

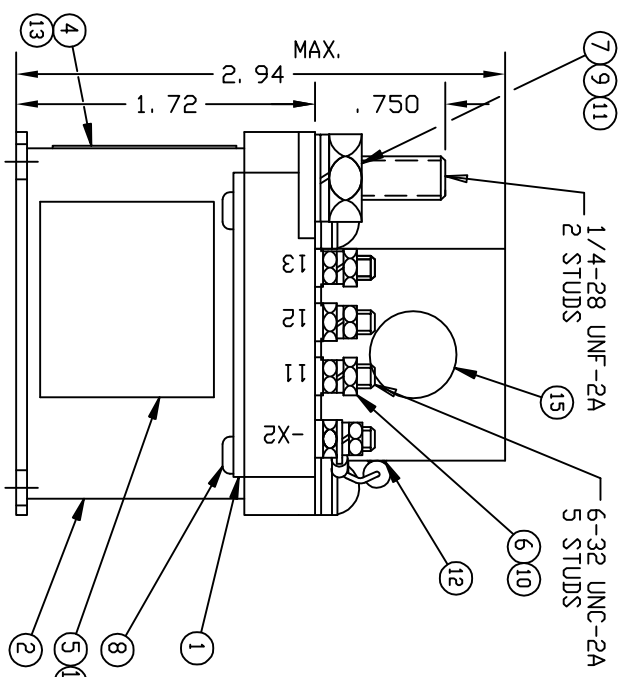
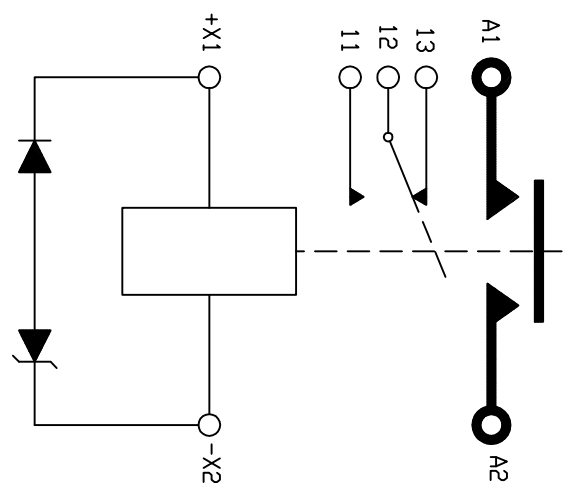
NOTES:  
1. THIS UNIT MEETS THE MATERIAL AND WORKMANSHIP REQUIREMENTS OF MIL-R-6106  
2. COIL TRANSIENTS SUPPRESSED TO ±45V MAX  
3. PAINT REMOVED FROM 2 OPPOSITE MTG HOLES, TOP & BOTTOM, FOR GROUNDING PURPOSES.

SPST N. D.  
28 VDC  
50 AMP

SPDT  
28 VDC  
5 AMP

32 VDC  
24 VDV  
16.5 V MAX.  
1 TD 7 VDC  
70 DHM ±20%  
CONTINUOUS

-55°C TD + 71°C  
10G'S 55-1000  
50,000 CYCLES MIN  
100,000 CYCLES MIN  
1 LB 8 OZ



1/4-28 UNF-2A  
2 STUDS

6-32 UNC-2A  
5 STUDS

LOCATION  
OPTIONAL

FIND NO	QTY	PART NO	IDENTIFYING NO	DESCRIPTION	DR	FSM NO	DRAWING OR SPECIFICATION	MATERIAL OR NOTE
16	1	57200-038		DISC, BLACK VINYL 3/4" φ				
15	2	57200-032		DISC, MARKING 407ZY BLACK 1/2" φ				
14	1	39529-005		OVERLAY-WIRING DIAGRAM				
13	1	39529-012		OVERLAY-NAMEPLATE				
12	AR	54100-005		SILASTIC-RTV				
11	2	51807-034		WASHER-LDCK-No. 1/4 SPLIT				BRONZE
10	5	51806-014		WASHER-LDCK-No. 6 SPLIT				BRUNZE
9	2	51703-064		WASHER-FLAT-1/2 X 17/64 X .032				BRASS
8	4	51200-020		SCREW-No. 4 X 1/4 PAN HD.				STAINLESS STEEL
7	2	50407-364		NUT-1/4-28 X 7/16 X 3/16 HEX				BRASS
6	5	50406-014		NUT-6-32 X 5/16 X 5/64 HEX				BRASS
5	1	41875-001		PLATE-WIRING DIAGRAM				
4	1	41695-001		PLATE-NAME				
3	1	37220-020		LEAD ASSEMBLY				
2	1	36281-010		CONTACTOR ASSEMBLY-PRIMARY				
1	2	34290-001		PLATE-COVER				

REF: CANADAIR

UNLESS OTHERWISE SPECIFIED DIMENSIONS ARE IN INCHES TOLERANCES IN

±.06 ±.010 ±.1

2 PL DEC. 3 PL DEC. (ANGLES)

DIR BY RLS 00/05/15

CHK BY RS 00/05/17

ENGR JL 00/05/17

MFG CC 00/05/18

RELEASE

CONTR NO

GOVT APPVL

CONNECTIVITY

125 N. DUNDAS STREET, WILMINGTON, OH 44892

CONTACTOR-S.P.S.T. N. D.  
50 AMP, 28 VDC

SIZE CODE IDENT DWG NO.

C 74063 A-1077DD-1

SCALE NONE REF. TE P/N: 6-1616930-7 SHF ID#1

093