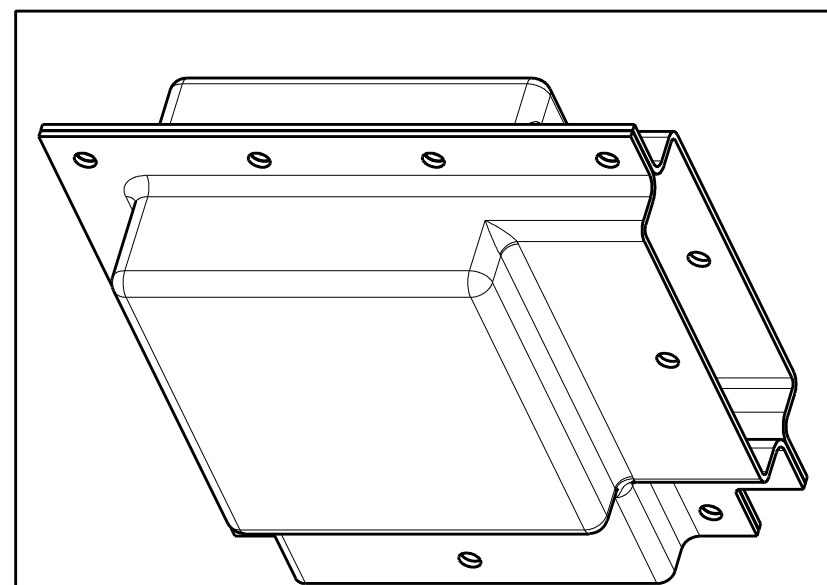
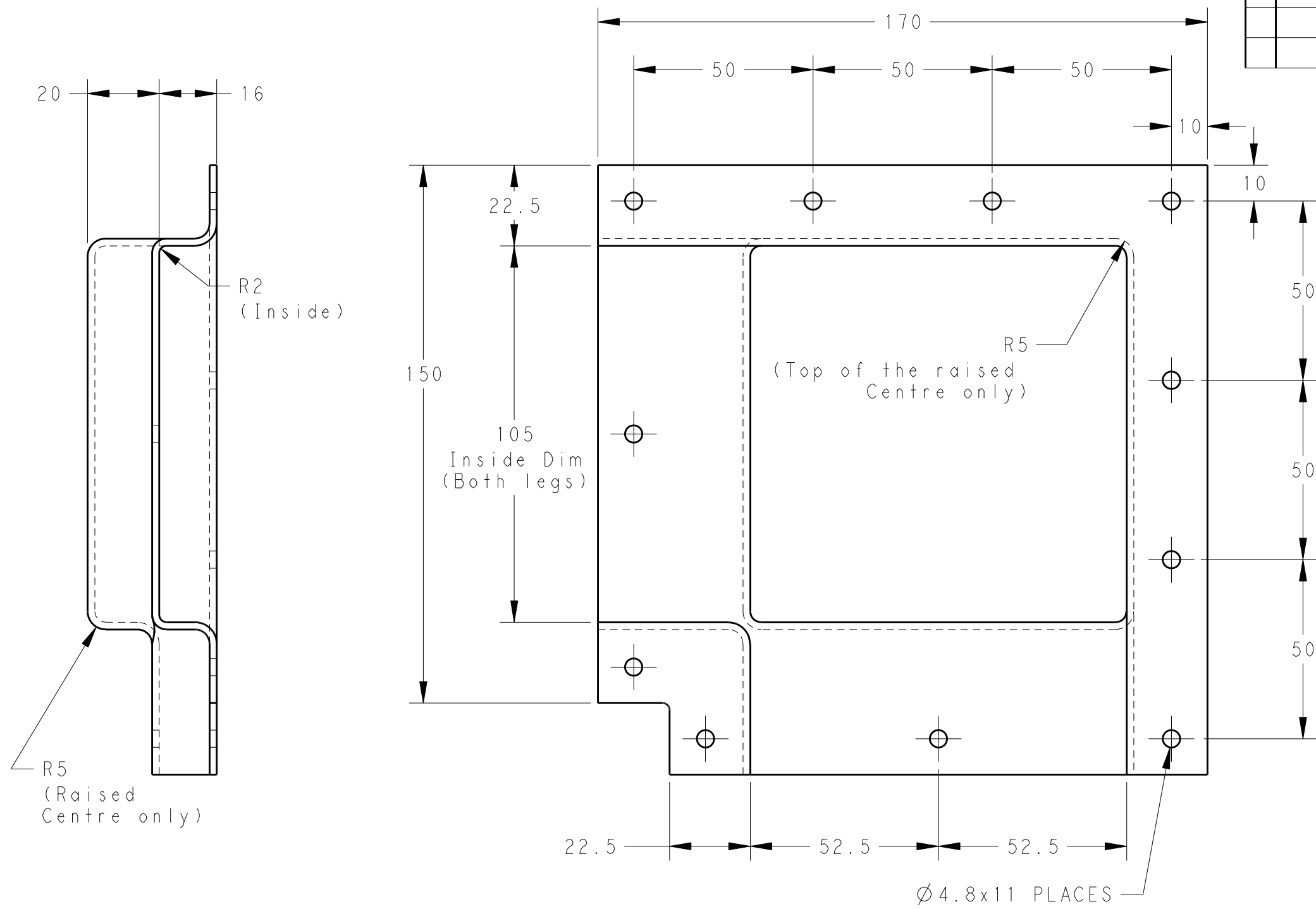



THIS DRAWING IS UNPUBLISHED. RELEASED FOR PUBLICATION 20
 © COPYRIGHT 20 BY TYCO ELECTRONICS CORPORATION ALL RIGHTS RESERVED.

LOC	DIST	REVISIONS				
P	LTR	DESCRIPTION	DATE	DWN	APVD	
-	-	A	Hole Size Changes from 6mm to 4.8mm and Note No.3 Changes.	04SEP2012	V.P	I.B



SCALE 1:2
 (Assy. view for external reference only)

THIS DRAWING IS A CONTROLLED DOCUMENT.		DWN Vishnu 27JUN2012	 TE Connectivity	
DIMENSIONS: mm		CHK I.Bond 27JUN2012		
TOLERANCES UNLESS OTHERWISE SPECIFIED:		APVD I.Bond 27JUN2012	NAME BMOD-LV-100-L11-01(B12)	
0 PLC ± 1 PLC ±0.5 2 PLC ±0.13 3 PLC ±0.013 4 PLC ±0.0001 ANGLES ±		PRODUCT SPEC -	SIZE A3 CAGE CODE 00779 C DRAWING NO -6-1899738-3 RESTRICTED TO -	
MATERIAL - FINISH -		APPLICATION SPEC -	SCALE 1:1 SHEET 1 OF 2 REV A	
CUSTOMER DRAWING		WEIGHT -		

4

3

2

1

THIS DRAWING IS UNPUBLISHED.

RELEASED FOR PUBLICATION

20

© COPYRIGHT 20

BY TYCO ELECTRONICS CORPORATION

ALL RIGHTS RESERVED.

LOC

DIST

REVISIONS

P	LTR	DESCRIPTION	DATE	DWN	APVD
-	-	SEE SHEET 1	-	-	-

PLUG PIECE:

5° Taper

10

1x \varnothing 4.8 Hole

106 \pm 1

20 \pm 1

R3 Typ

25

SCALE 1:2
(Isometric view for external referenc only)

NOTES:

1. Parts shall be kitted 24pcs per box, 12 pairs of covers
2. Parts shall be supplied in the open position
3. Parts shall be kitted with 11 x LVIC-RIV-TS555 PCN: 319851-000, or with Raysulate equivalent part, per pair of covers.
4. 2 x Plugs to be kitted per pair of covers
5. Parts shall be kitted with Installation Instruction: ESD-6065-6/12 per box.

THIS DRAWING IS A CONTROLLED DOCUMENT.

DIMENSIONS:

mm

TOLERANCES UNLESS OTHERWISE SPECIFIED:

0 PLC	\pm
1 PLC	± 0.5
2 PLC	± 0.13
3 PLC	± 0.013
4 PLC	± 0.0001
ANGLES	\pm

MATERIAL

-

FINISH

-

DWN 27JUN2012

Vishnu

CHK 27JUN2012

I Bond

APVD 27JUN2012

I Bond

PRODUCT SPEC

-

APPLICATION SPEC

-

WEIGHT

-

CUSTOMER DRAWING

TE Connectivity

NAME

BMOD-LV-100-L11-01(B12)

-

-

SIZE

CAGE CODE

DRAWING NO

A300779

C-6-1899738-3

RESTRICTED TO

-

SCALE 1:1

SHEET 2 OF 2

REV A

1470-19 (3/11)