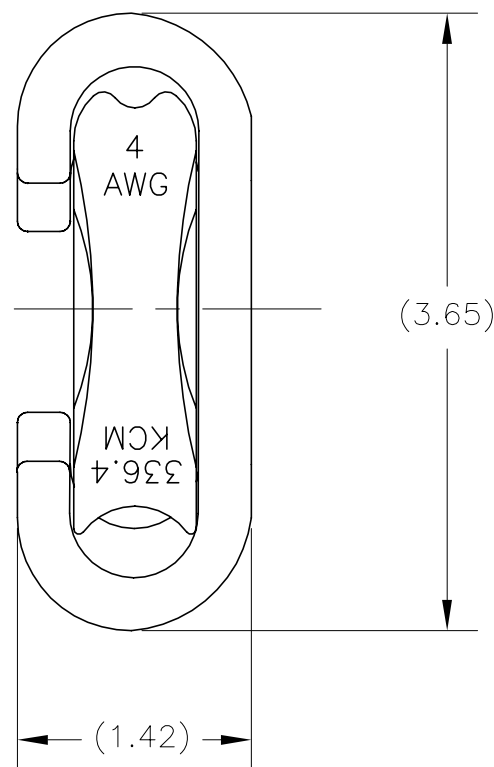
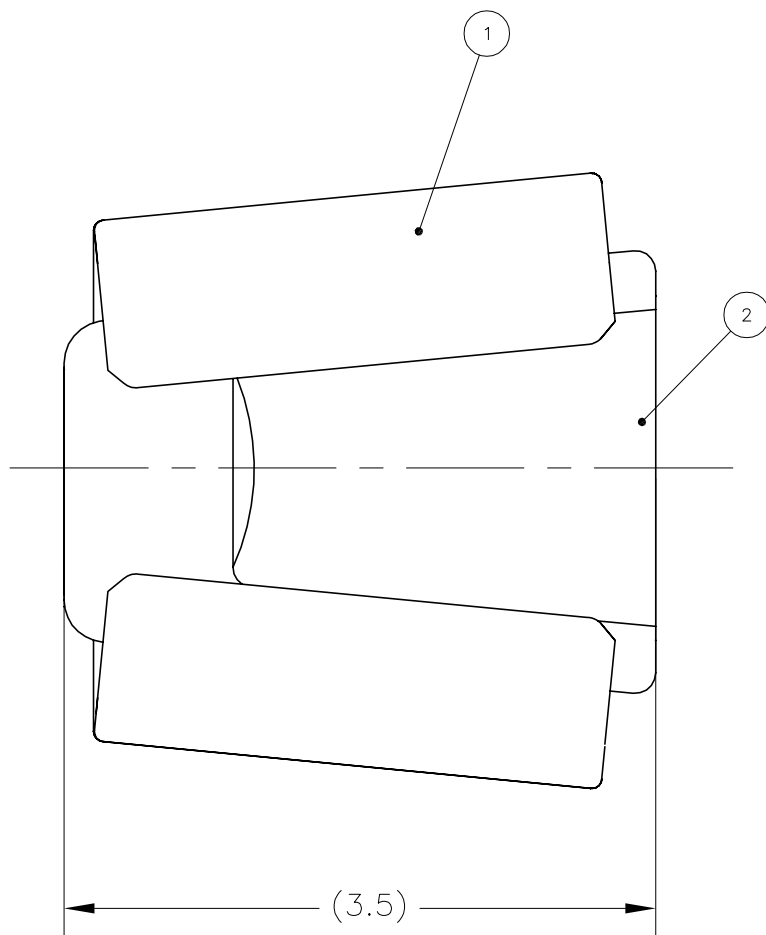


REVISIONS


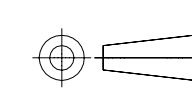
P	LTR	DESCRIPTION	DATE	DWN	APVD
	M	INITIAL REL PER LC20-0052-21	13MAY2021	RS	JO

1. DIMENSIONS ARE FOR REFERENCE ONLY.
2. INHIBITOR IS APPLIED AT FACTORY TO GROOVES OF 'C' BODY AND WEDGE.
3. WIRE SIZES ARE MARKED ON WEDGE
4. USE YELLOW SHELL PART NO. 69338-4.



602013
PART NO.

QTY	DESCRIPTION	ITEM NO
1	WEDGE, ALUM ALLOY	2
1	C BODY, ALUM ALLOY	1
PARTS LIST		

THIS DRAWING IS A CONTROLLED DOCUMENT.		DWN RAVI.S 13MAY2021	 TE Connectivity	
DIMENSIONS: INCHES		CHK J.GUPPY 13MAY2021		
		APVD J.OPEL 13MAY2021		
TOLERANCES UNLESS OTHERWISE SPECIFIED:		PRODUCT SPEC	NAME CONNECTOR, 336.4 KCM - #4 KCM 336.4 SERIES, YELLOW CODED, AMPACT	
0 PLC ±		APPLICATION SPEC	SIZE	RESTRICTED TO
1 PLC ±			CAGE CODE	
2 PLC ±			DRAWING NO	
3 PLC ±			SCALE	
4 PLC ±			SHEET	
ANGLES ±			REV	
MATERIAL		WEIGHT	CUSTOMER DRAWING	
FINISH			NTS	
			1 OF 1	
			M	