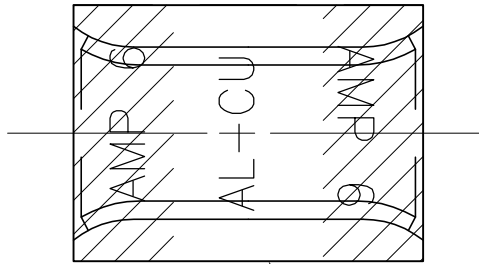
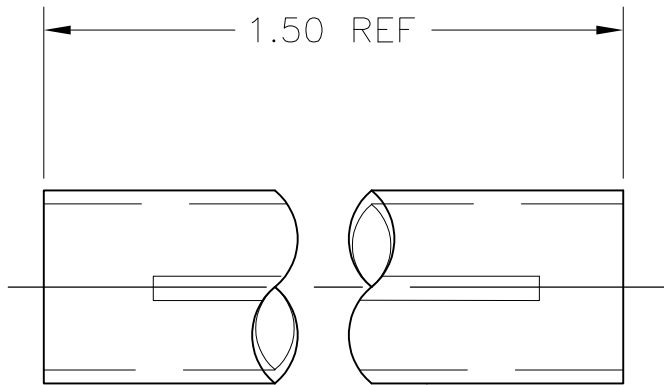


REVISIONS

P	LTR	DESCRIPTION	DATE	DWN	APVD
B		ECO-16-003806	04APR16	KG	PD



1



2

608502-1
PART NUMBER

QTY	PART NO.	DESCRIPTION	ITEM NO.
200	2299910-1	SHRINK TUBING	2
200	55696-1	COPALUM SPLICE	1

RELEASED FOR PUBLICATION

ALL RIGHTS RESERVED.

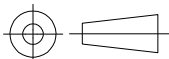
THIS DRAWING IS UNPUBLISHED.

By -
COPYRIGHT -

DIMENSIONS:
INCHES

TOLERANCES UNLESS OTHERWISE SPECIFIED:

- 0 PLC ± -
- 1 PLC ± -
- 2 PLC ± -
- 3 PLC ± -
- 4 PLC ± -
- ANGLES ± -



DWN C.C.THOMAS 2-12-14	MATERIAL -	FINISH -
CHK D.HOFFMAN 2-12-14		
APVD D.HOFFMAN 2-12-14		
PRODUCT SPEC -	NAME -	
APPLICATION SPEC -	COPALUM SPLICE KIT	
WEIGHT 0.000000	SIZE A4	CAGE CODE 00779
DRAWING NO C-608502		RESTRICTED TO -
CUSTOMER DRAWING		SCALE 4:1
SHEET 1 OF 1		REV B