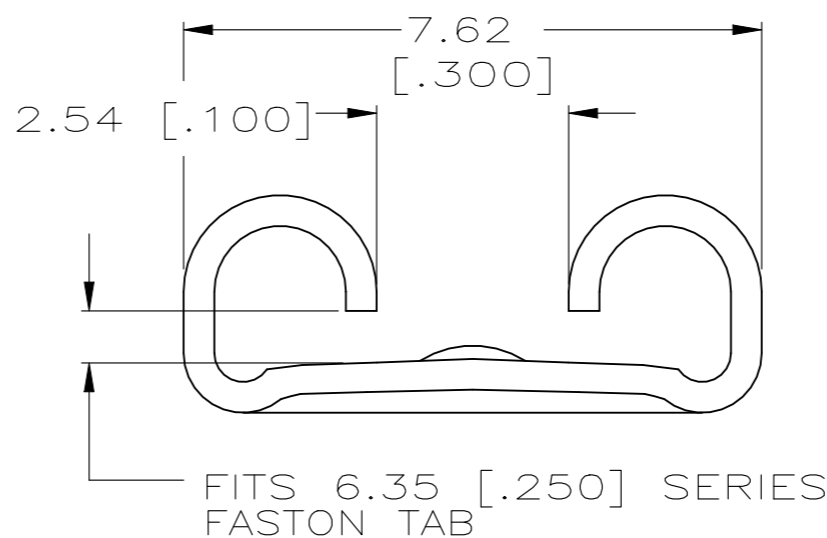
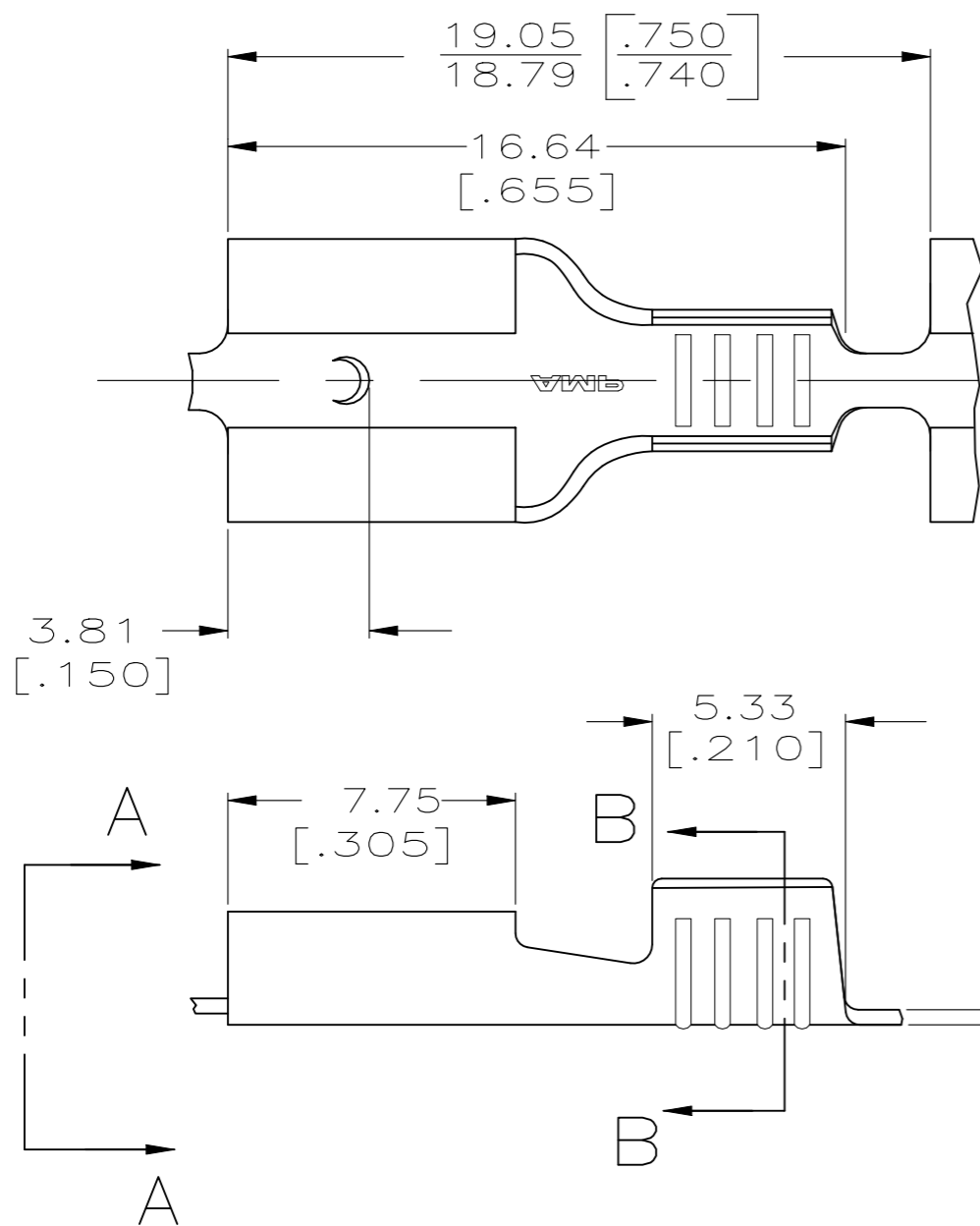
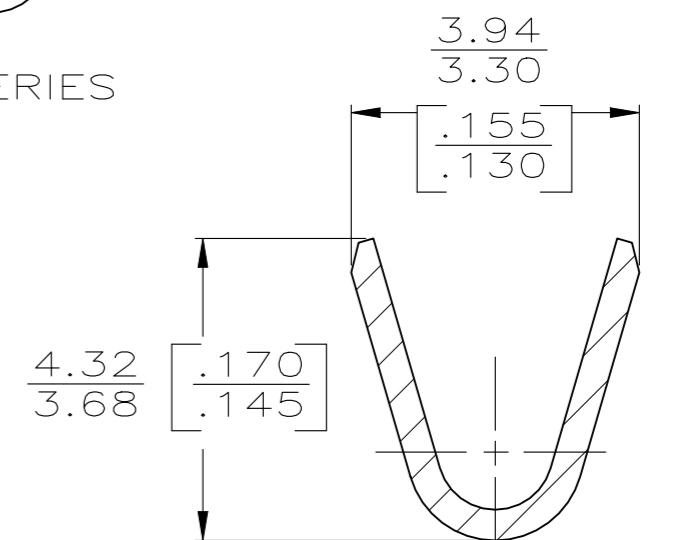


P	LTR	DESCRIPTION	DATE	DWN	APVD
	F1	REVISED PER ECR-24-209015	08SEP2024	DB	ES

1 CONTINUOUS STRIP ON REELS.



VIEW A-A
SCALE 10:1



SECTION B-B
SCALE 10:1

SUPERSEDED BY 60938-2	TIN	0.8-2.0mm ²	0.813	60938-2
		[18-14]	[.032]	60938-1
	FINISH	WIRE SIZE	MATING TAB THK ±0.025 ±[.001]	PART NO

THIS DRAWING IS A CONTROLLED DOCUMENT.		DWN	JR RUTH	3/15/90	STE TE Connectivity												
DIMENSIONS: mm [INCHES]		CHK	MS FEHER	3/15/90													
TOLERANCES UNLESS OTHERWISE SPECIFIED:		APVD	C MEYERS	3/15/90				NAME									
<table border="0"> <tr><td>0 PLC</td><td>± -</td></tr> <tr><td>1 PLC</td><td>± -</td></tr> <tr><td>2 PLC</td><td>± -</td></tr> <tr><td>3 PLC</td><td>± 0.25 [.010]</td></tr> <tr><td>4 PLC</td><td>± -</td></tr> <tr><td>ANGLES</td><td>± -</td></tr> </table>		0 PLC	± -	1 PLC				± -	2 PLC	± -	3 PLC	± 0.25 [.010]	4 PLC	± -	ANGLES	± -	PRODUCT SPEC
0 PLC	± -																
1 PLC	± -																
2 PLC	± -																
3 PLC	± 0.25 [.010]																
4 PLC	± -																
ANGLES	± -																
MATERIAL	FINISH	APPLICATION SPEC	WEIGHT		SIZE	CAGE CODE	DRAWING NO	RESTRICTED TO									
BRASS	SEE TABLE		0.000000		A3	00779	C-60938										
CUSTOMER DRAWING					SCALE	5:1	SHEET	1 OF 1									
					REV		F1										