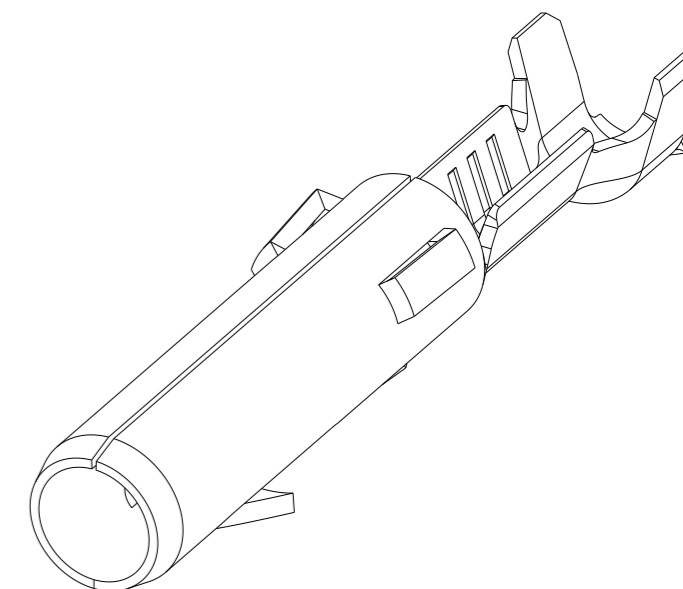
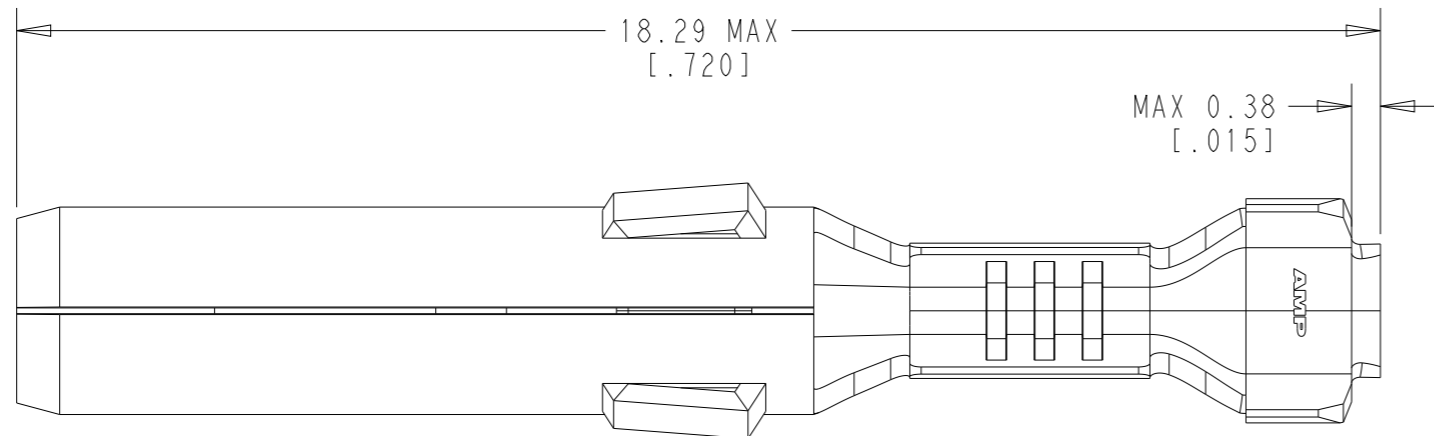


P	LTR	DESCRIPTION	DATE	DWN	APVD
	E1	ECO-11-005294	19APR2011	RK	HMR
	E2	REVISED PER ECN-23-233438	02OCT2023	WLS	VS



SCALE 8:1

NOTES:

- FOR ADDITIONAL INFORMATION SEE DRAWING 350078.
- THIS TERMINAL IS SUPPLIED IN INDIVIDUAL FORM, NOT AS A CONTINUOUS STRIP.

**3** .000030 THK GOLD OVER NICKEL ON INSIDE OF RECEPTACLE AND WIRE BARREL; REMINDER OF CONTACT IS NICKEL PLATED.

- DIMENSIONS IN BRACKETS ARE IN INCHES.

.040-.075 OR (2) .040 MAX	30-22	<b>3</b>	.012 BRASS	61173-5
.040-.075 OR (2) .040 MAX	30-22	PRE-TIN	.012 PH.BRZ	61173-4
.040-.075 OR (2) .040 MAX	30-22	TIN	.012 BRASS	61173-1
INSULATION RANGE	WIRE SIZE	FINISH	MATERIAL	PART NUMBER

THIS DRAWING IS A CONTROLLED DOCUMENT.		DWN J. R. KUNKLE 05APR1967		
		CHK J. R. KUNKLE 17APR1967		
		APVD W. PANYA 17APR1967	NAME SOCKET, LOOSE PIECE COMMERCIAL MATE-N-LOK	
DIMENSIONS: mm [INCHES]		PRODUCT SPEC 108-1000	RESTRICTED TO	
TOLERANCES UNLESS OTHERWISE SPECIFIED:		APPLICATION SPEC 114-1012	SIZE A3	CAGE CODE 00779
MATERIAL		WEIGHT	DRAWING NO G-61173	
FINISH		CUSTOMER DRAWING	SCALE 10:1	SHEET 1 OF 1
				REV E2