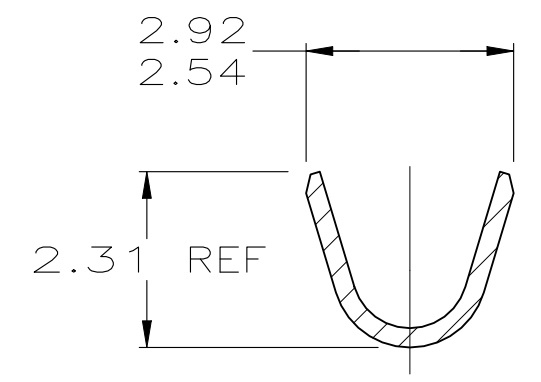
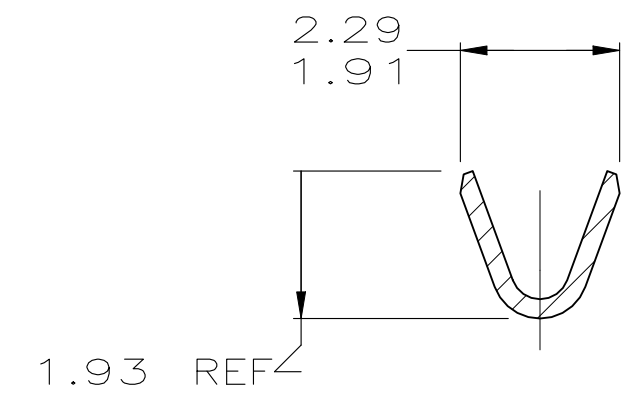
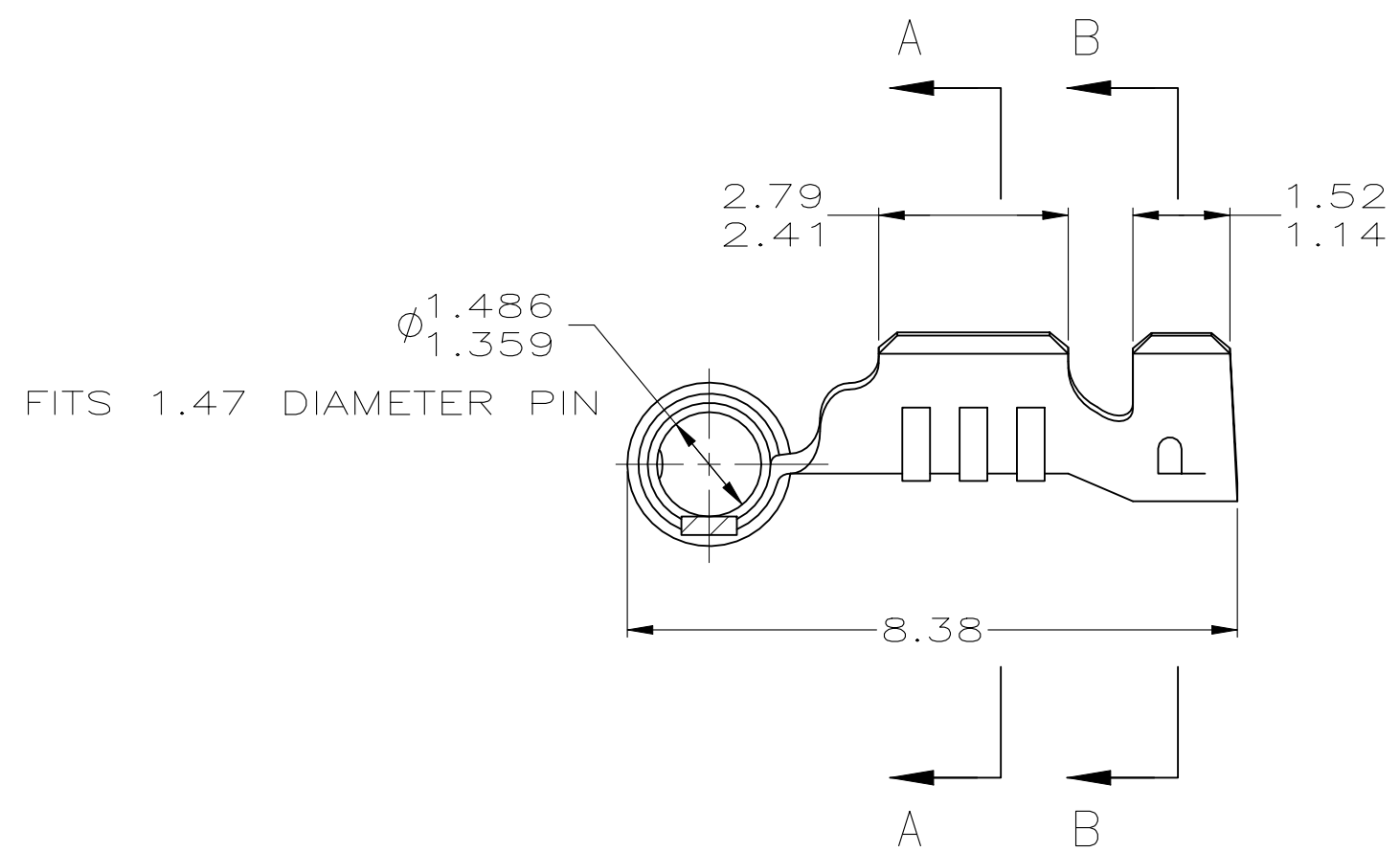
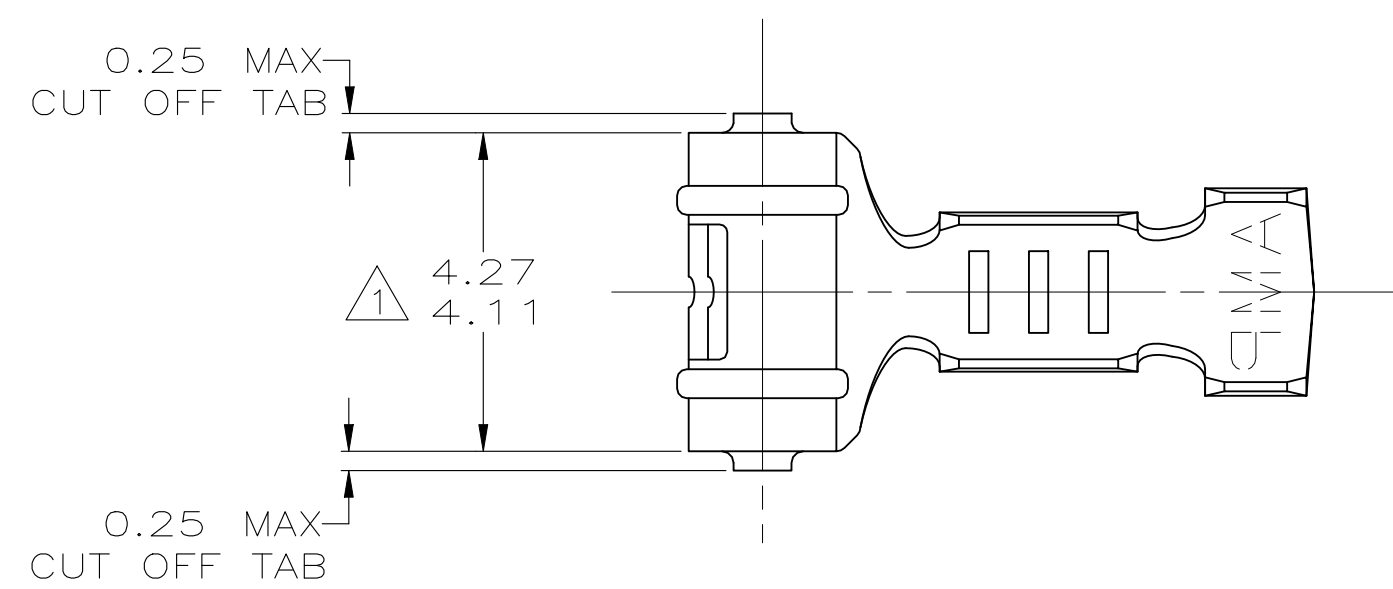


THIS DRAWING IS UNPUBLISHED. RELEASED FOR PUBLICATION .19
 (C) COPYRIGHT 19 BY AMP INCORPORATED. ALL RIGHTS RESERVED.

Loc	DIST	REVISIONS					
CM	52	P	LTR	DESCRIPTION	DATE	DWN	APVD
		F		RELEASED PER ECR-23-180920	21-03-24	SK	JP

- 1. 0.00038 MIN SELECTIVE GOLD PLATING ON INSIDE OF RECEPTACLE OVER NICKEL OVER ALL UNDERPLATE.
- 2. WIRE RANGE: 0.2 - 0.6 MM² (24 - 20 AWG)
- 3. INSULATION RANGE: 1.14 - 1.78



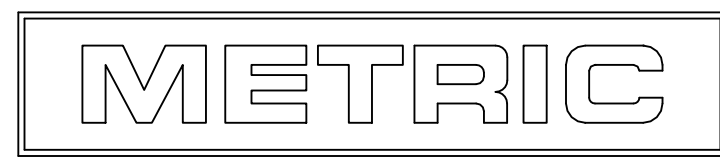
SECTION A-A

SECTION B-B

SUPERSEDED BY 61276-2	MATTE TIN	0.25 BE COPPER	61276-3
	PRE-TIN	0.25 PH BRZ	61276-2
	Δ	0.25 Ph Bz	61276-1
	FINISH	MATERIAL	PART NUMBER

1.47	.058	2.29	.090	4.11	.162	-	-
1.359	.0535	1.93	.076	2.92	.115	-	-
1.14	.045	1.91	.075	2.79	.110	-	-
0.25	.010	1.78	.070	2.54	.100	-	-
0.13	.005	1.52	.060	2.41	.095	8.38	.330
0.00038	.000015	1.486	.0585	2.31	.091	4.27	.168
MM	IN	MM	IN	MM	IN	MM	IN

CONVERSION TABLE



THIS DRAWING IS A CONTROLLED DOCUMENT.

DWN	T. BECK	6-12-97
CHK	R. SWING	6-12-97
APVD	A. BEDDICK	6-17-97

AMP AMP Incorporated
Harrisburg, PA 17105-3608

NAME: RECEPTACLE, .058 DIAMETER, 24-20 AWG, .045-.070 INSULATION, RIGHT ANGLE, LOOSE PIECE, P.C. CONTACT

PRODUCT SPEC	108-1025	SIZE	A2	CAGE CODE	00779	DRAWING NO	C-61276	RESTRICTED TO	-
APPLICATION SPEC	114-1008	WEIGHT	-	SCALE	10:1	SHEET	1 OF 1	REV	F

CUSTOMER DRAWING