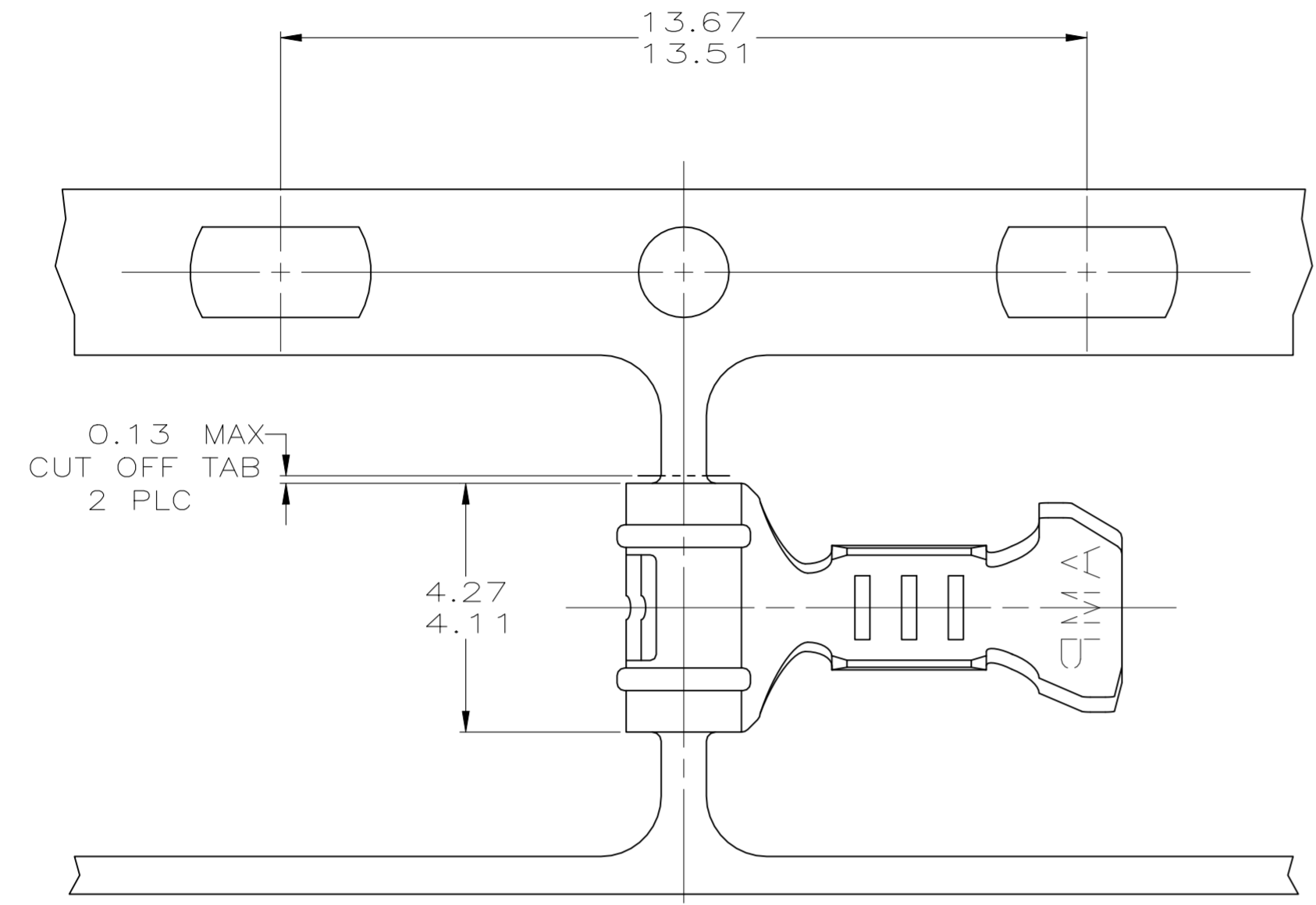
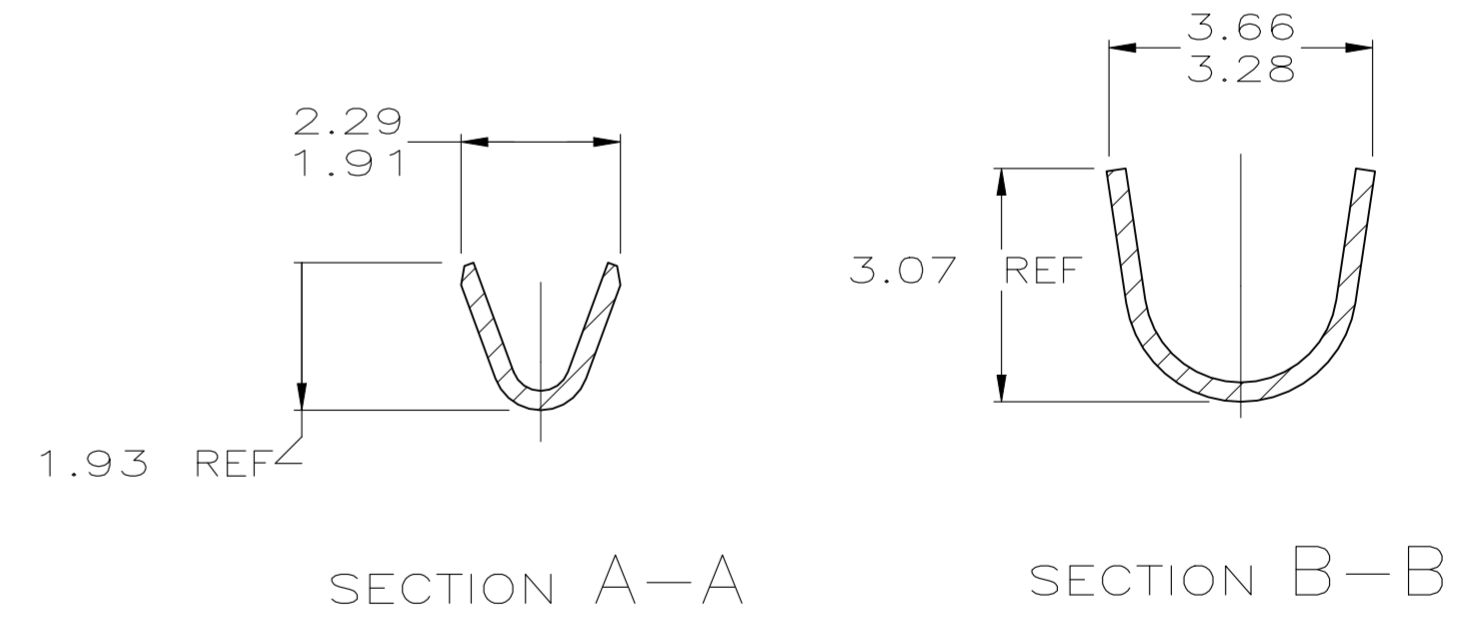
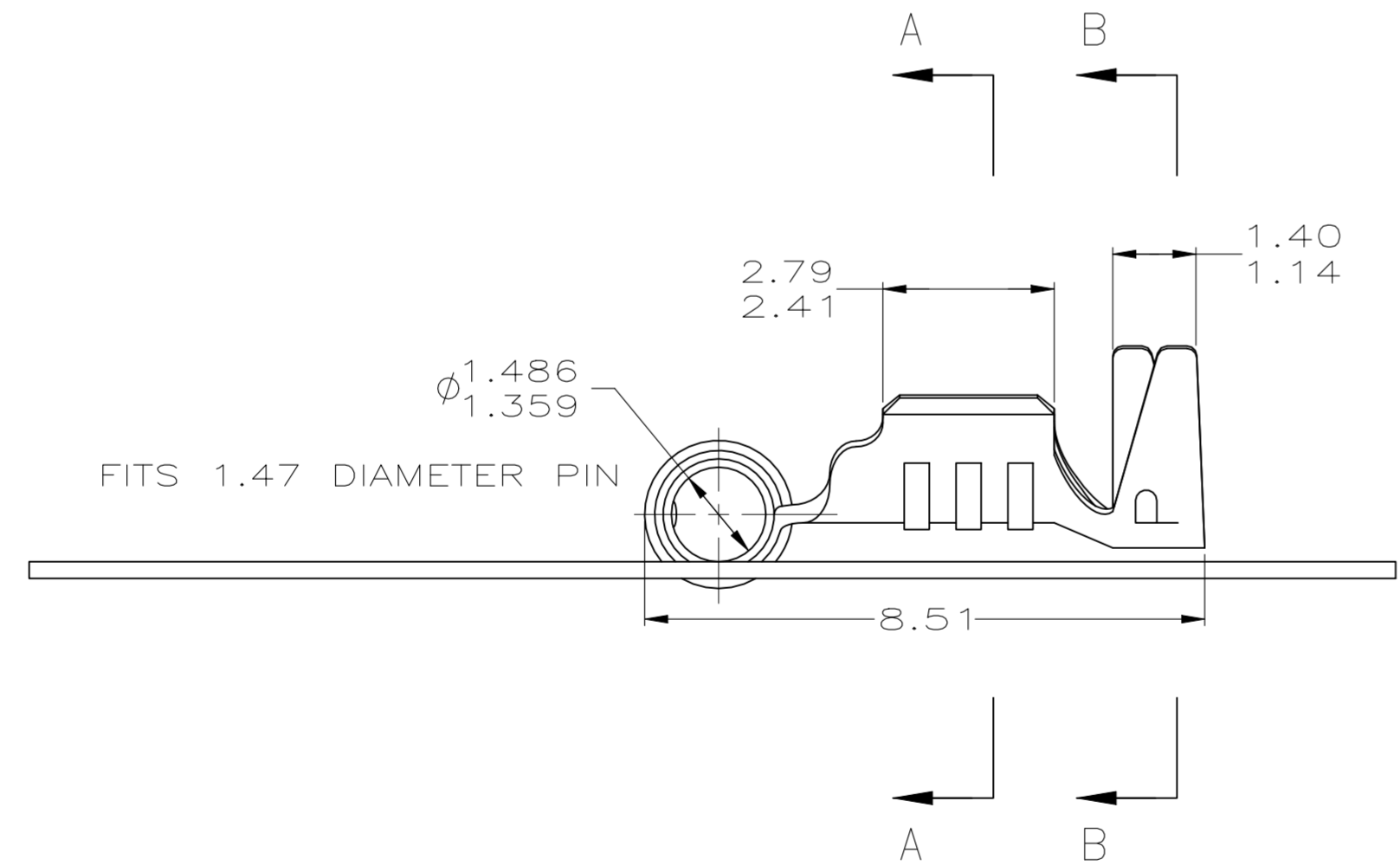


Loc	DIST	REVISIONS					
CM	52	P	LTR	DESCRIPTION	DATE	DWN	APVD
			F2	REVISED PER ECR-23-180920	21-03-24	SK	JP



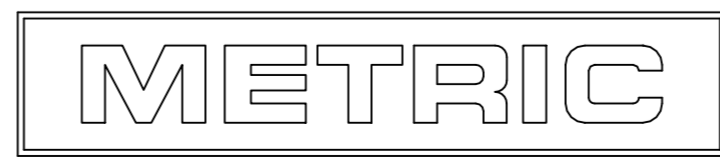
1. WIRE RANGE: 0.2 - 0.6 MM² (24 - 20 AWG)
2. INSULATION RANGE: 1.02 - 2.54



SUPERSEDED BY 61323-1	MATTE TIN	0.25 BE COPPER	-61323-2
	PRE TIN	0.25 PH BRZ	61323-1
	FINISH	MATERIAL	PART NUMBER

1.40	.055	2.41	.095	4.11	.162	-	-
1.359	.0535	2.29	.090	3.66	.144	-	-
1.14	.045	1.93	.076	3.28	.129	13.67	.538
1.02	.040	1.91	.075	3.07	.121	13.51	.532
0.25	.010	1.486	.0585	2.79	.110	8.51	.335
0.13	.005	1.47	.058	2.54	.100	4.27	.168
MM	IN	MM	IN	MM	IN	MM	IN

CONVERSION TABLE



THIS DRAWING IS A CONTROLLED DOCUMENT.

DWN	T. BECK	5-22-97
CHK	R. SWING	5-22-97
APVD	A. BEDDICK	6-17-97

AMP Incorporated
Harrisburg, PA 17105-3608

NAME: RECEPTACLE, .058 DIAMETER, 24-20 AWG, .040-.100 INSULATION, RIGHT ANGLE, P.C. CONTACT

SIZE	A2	CAGE CODE	00779	DRAWING NO	61323	RESTRICTED TO	-
------	----	-----------	-------	------------	-------	---------------	---

CUSTOMER DRAWING SCALE 10:1 SHEET 1 OF 1 REV F2