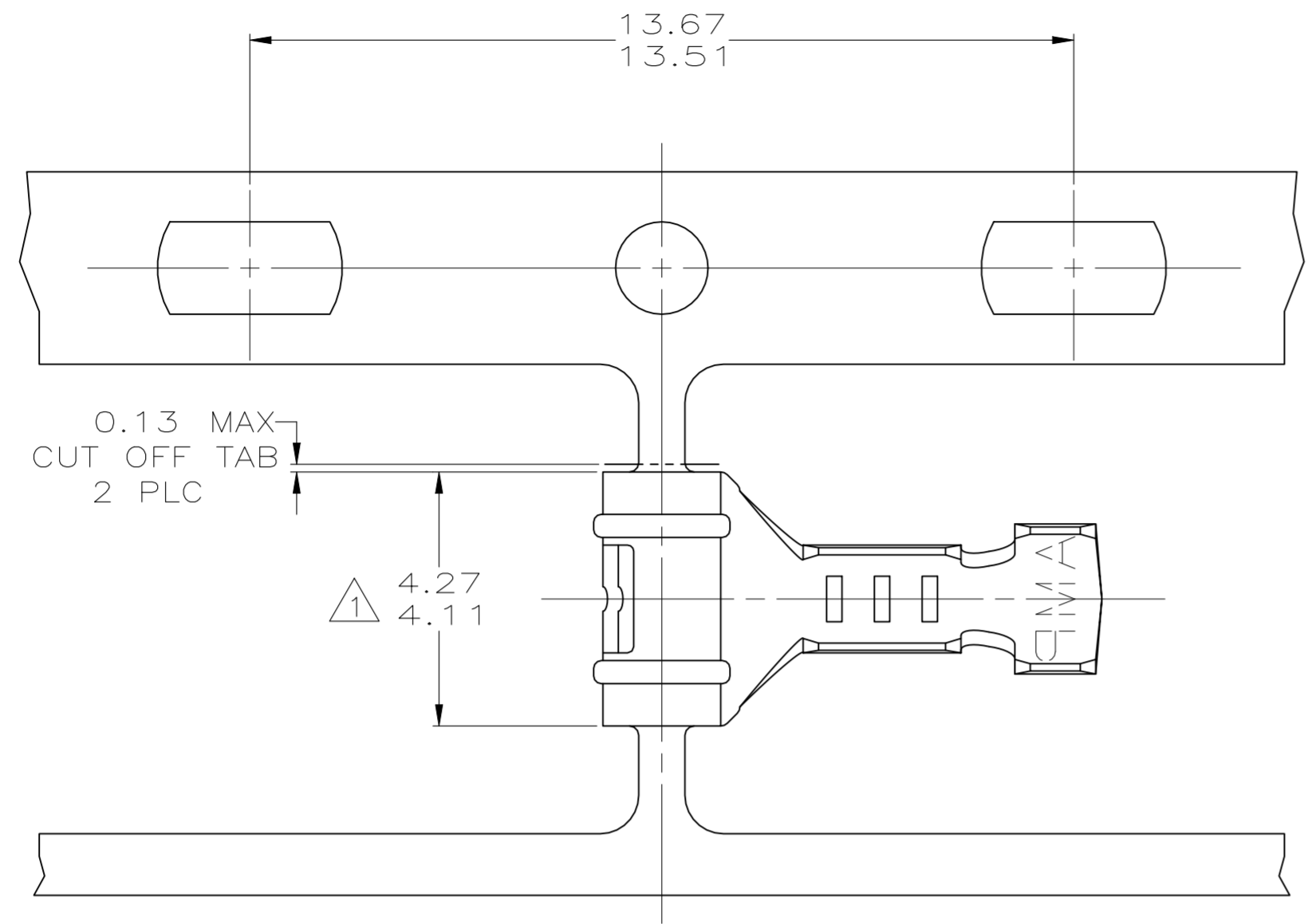
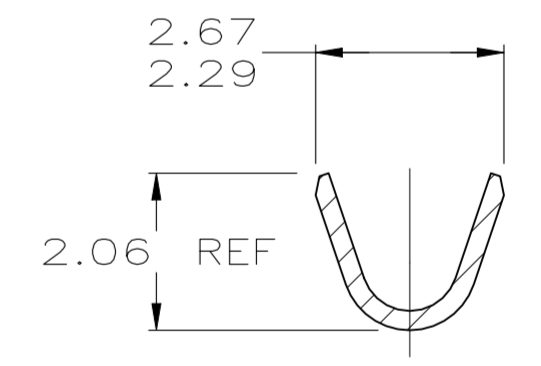
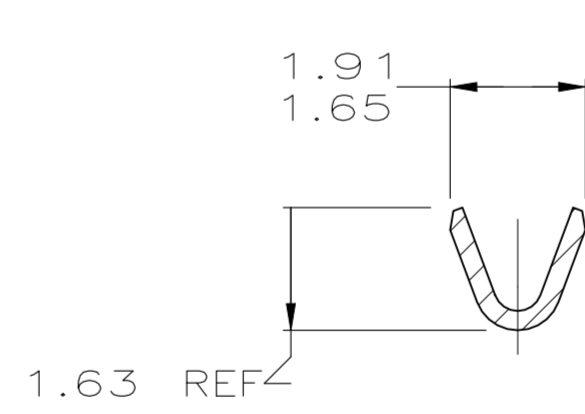
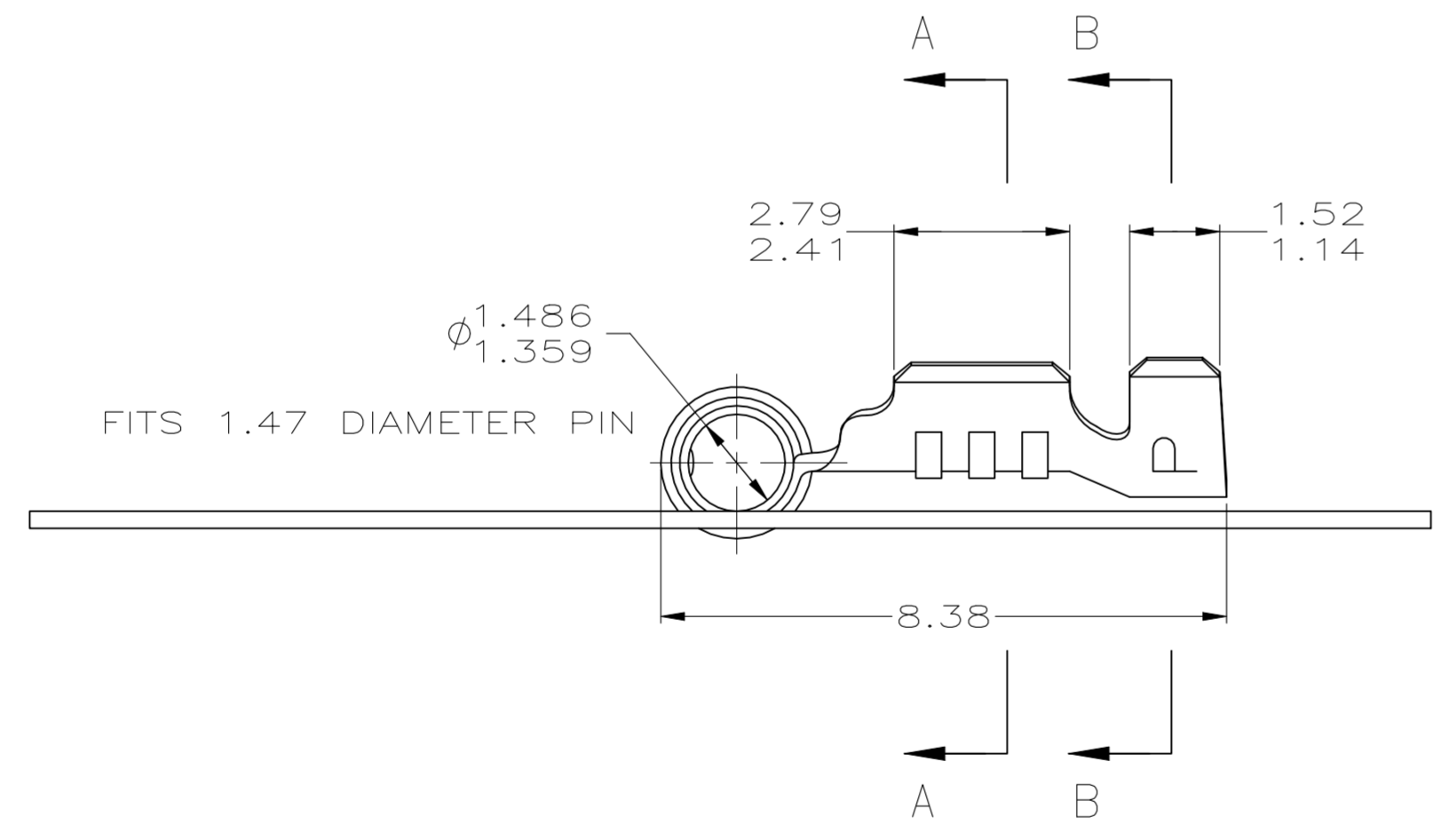


THIS DRAWING IS UNPUBLISHED. RELEASED FOR PUBLICATION .19
 (C) COPYRIGHT 19 BY AMP INCORPORATED. ALL RIGHTS RESERVED.

Loc		DIST		REVISIONS			
CM	52	P	LTR	DESCRIPTION	DATE	DWN	APVD
		T		REVISED PER ECR-23-180920	21-03-24	SK	JP



- 1. 0.00038 MIN SELECTIVE GOLD PLATING ON INSIDE OF RECEPTACLE OVER NICKEL OVER ALL UNDERPLATE.
- 2. WIRE RANGE: 0.12 - 0.4 MM² (26 - 22 AWG)
- 3. INSULATION RANGE: 0.89 - 1.65



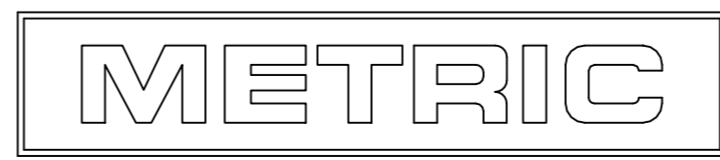
SECTION A-A

SECTION B-B

PRE-TIN	0.25 PH BRZ	61513-2
Δ	0.25 PH BRZ	61513-1
FINISH	MATERIAL	PART NUMBER

1.359	.0535	1.91	.075	4.11	.162	-	-
1.14	.045	1.65	.065	2.79	.110	-	-
0.89	.035	1.63	.064	2.67	.105	13.67	.538
0.25	.010	1.52	.060	2.41	.095	13.51	.532
0.13	.005	1.486	.0585	2.29	.090	8.38	.330
0.00038	.000015	1.47	.058	2.06	.081	4.27	.168
MM	IN	MM	IN	MM	IN	MM	IN

CONVERSION TABLE



THIS DRAWING IS A CONTROLLED DOCUMENT.

DWN	T. BECK	6-03-97
CHK	R. SWING	6-03-97
APVD	A. BEDDICK	6-17-97

AMP Incorporated
Harrisburg, PA 17105-3608

NAME: RECEPTACLE, .058 DIAMETER, 26-22 AWG, .035-.065 INSULATION, RIGHT ANGLE, P.C. CONTACT

SIZE	A2	CAGE CODE	00779	DRAWING NO	C-61513	RESTRICTED TO	-
WEIGHT	-	SCALE	10:1	SHEET	1 OF 1	REV	T

CUSTOMER DRAWING