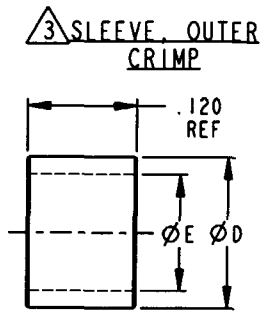
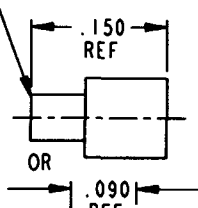
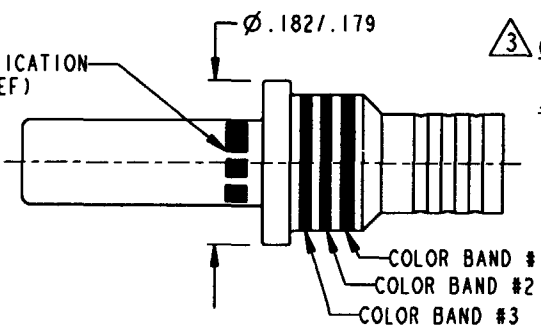
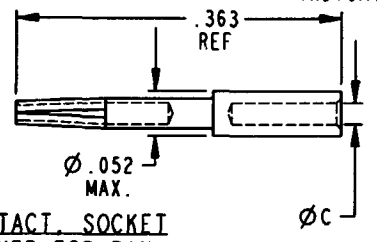
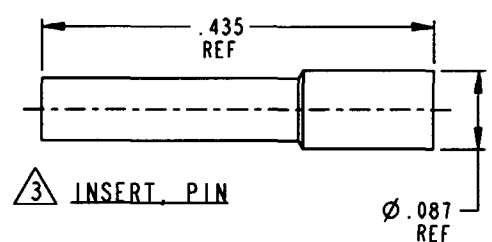
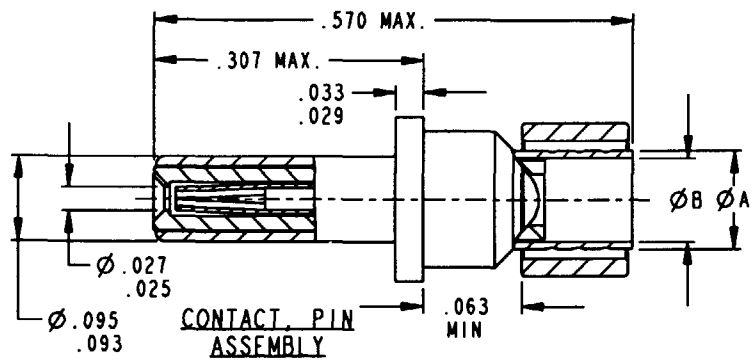


PROPERTY OF DEUTSCH E.C.D.

This drawing contains proprietary information that shall not be disclosed, duplicated, nor used in whole or in part for any purpose other than to evaluate this drawing.

A	6162-233-1277 THRU 6162-240-1277		REVISIONS	
	REV	DESCRIPTION	DATE	APPROVED
A	REDRAWN PER E.O. C4684		11/6/00	MS



DEUTSCH PART NUMBER	CONTACT TYPE	BIN CODE	COLOR BANDS FIRST, SECOND, THIRD	OUTER A Ø MAX.	CONTACT B Ø MIN.	INNER CONTACT C Ø MIN.	CRIMP D Ø MAX.	SLEEVE E Ø MIN.	INNER CONTACT CRIMPING TOOL	CRIMP SLEEVE CRIMPING TOOL	INSERTION/EXTRACTION
6162-233-1277	P	211	RED BROWN BROWN	.110	.090	.0225	.169	.127	M22520/2-01 WITH M22520/2-34 POSITIONER	M22520/31-01 WITH M22520/31-02 POSITIONER	M81969/14-04
6162-234-1277	P	409	YELLOW BLACK WHITE	.127	.108	.0225	.169	.144			
6162-235-1277	P	410	YELLOW BROWN BLACK	.127	.108	.0355	.169	.144			
6162-236-1277	P	411	YELLOW BROWN BROWN	.110	.090	.0355	.169	.127			
6162-237-1277	P	412	YELLOW BROWN RED	.110	.090	.0225	.169	.127			
6162-238-1277	P	413	YELLOW BROWN ORANGE	.136	.117	.0270	.174	.156			
6162-239-1277	P	414	YELLOW BROWN YELLOW	.110	.090	.0225	.169	.144			
6162-240-1277	P	415	YELLOW BROWN GREEN	.127	.108	.0355	.174	.156			

- THIS SHIELDED CONTACT WILL MEET ALL CABLE SIZES IN MIL-C-39029/75 AND /28. FOR CABLE SIZES, REFER TO MIL-C-39029/75 AND /28.
- CONTACTS PLATED .000050 MIN. GOLD PER MIL-G-45204.
- ALL COMPONENTS MADE OF HIGH GRADE COPPER ALLOY. DIELECTRICS MADE FROM TEFLON.
- DESIGNATED PARTS ARE SHIPPED LOOSE.
- CONSULT FACTORY FOR AVAILABILITY.
- ALL DIMENSIONS ARE IN INCHES UNLESS OTHERWISE SPECIFIED.

NOTES:

SIGNATURE & DATE		CONTACT, PIN SIZE 12 SHIELDED MIL-C-39029/28 ENVELOPE	CP	---	MATL CODE
DR	M. KELLY 9-20-00		DEUTSCH ENGINEERED CONNECTING DEVICES 5733 W. Whittier Ave. Hemet, California		
CHK	MS 11/6/00		A 6162-233-1277 THRU 6162-240-1277		
FE	MS 11-6-00		COP. 11/00 SHEET OF		
APPD	MS 11/7/00				
SCALE 5.000 WT NONE					